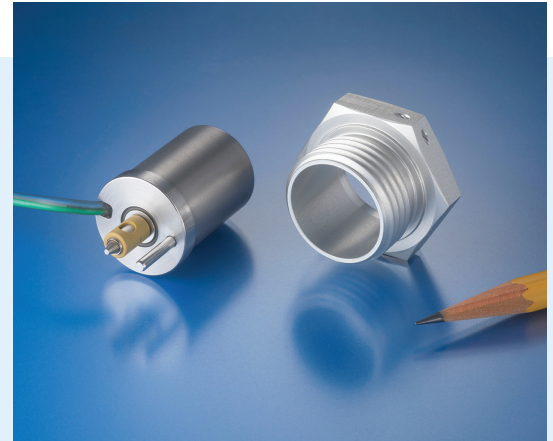


LATCHING SOLENOID VALVE

The Lee Company's new Latching Solenoid Valve is the ideal solution for power sensitive applications. By incorporating permanent magnets into the coil design, this solenoid valve offers a dramatic reduction in overall power consumption, particularly when operating with extended "ON" periods. Unlike traditional designs that require continuous voltage to energize the valve from its natural state, this latching solenoid requires only a momentary pulse of less than a Joule to switch to and remain in state.

The Latching Solenoid Valve draws on the design elements of our ultra-compact and field proven piloting solenoid valves. The Lee MultiSeal™ radically simplifies port layout, offers significant space savings, reduces machining costs and provides superior reliability over traditional sealing methods. Contact your local Lee Sales Engineer for additional information and technical assistance.

- Magnetically latched
- Endurance tested to 500,000 cycles
- Lead wire front or rear
- Integral HI-BAR® safety screen (0.004 inch nominal hole size)
- Compatible with most operating fluids



LEE PART NUMBER	PORTING	WIRE EXIT
SDLA2121033A	2-Way	Front
SDLA2121033B		Rear
SDLA2131033A	3-Way	Front
SDLA2131033B		Rear

REPLACEMENT PART NUMBERS	
MultiSeal.....	SDBB2130108A
Retainer	SDBB2130009A

SPECIFICATIONS

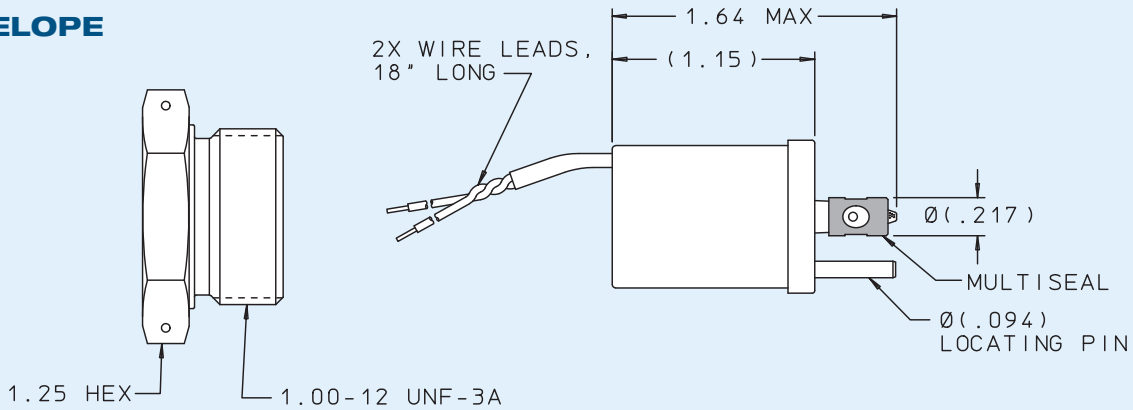
Type:	2 position, 2-way or 3-way	Voltage:	12 to 14 Vdc
Operating Pressure:	3000 psi	Weight:	0.2 lbs. maximum
Maximum Transient:	4050 psi	Materials:	Magnetic Path: Chrome Core®
Proof:	4500 psi		Magnet: SmCo
Burst:	7500 psi		Flow Path: Stainless Steel
Lohm Rate:	2000 Lohms* maximum		MultiSeal: Polyamide-imide
Temperature:	-65°F to +275°F		Retainer: Anodized Aluminum
Leakage at 3000 psid:	1 cc/minute maximum internal, zero external		

*The Lohm is a measure of flow resistance. Additional information can be found at www.TheLeeCo.com.

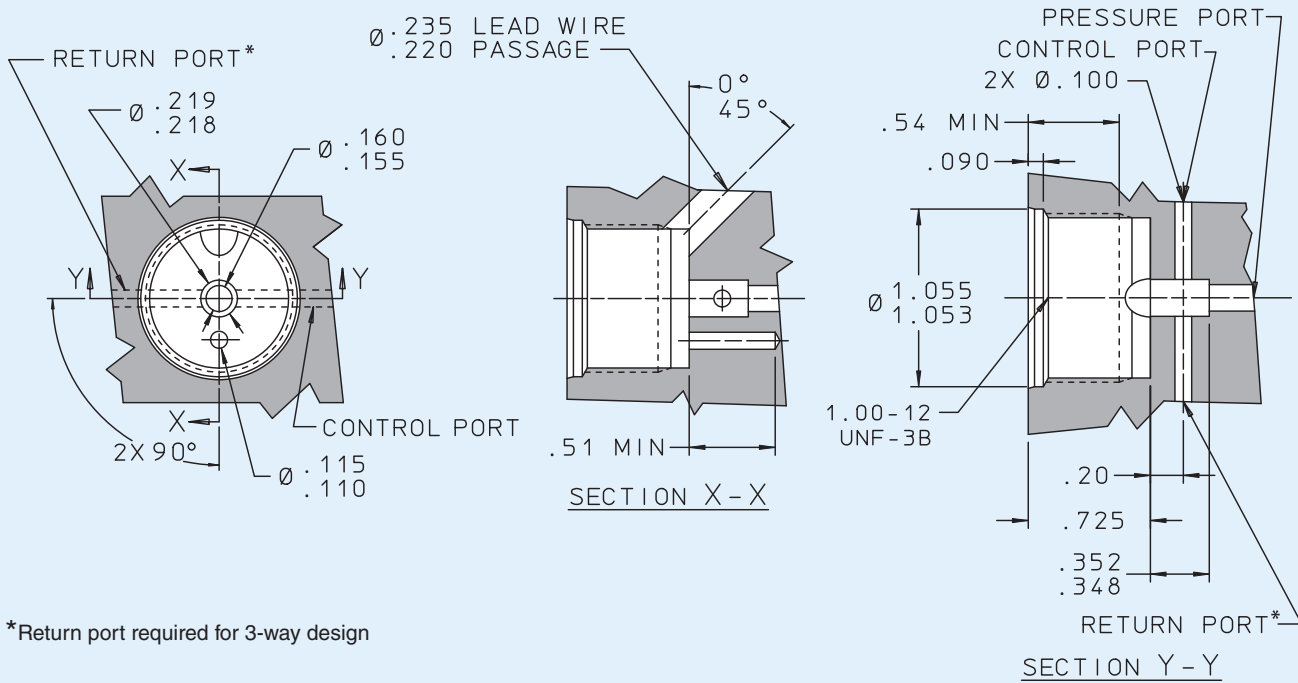
® Chrome Core is a registered trademark of Carpenter Technology Corporation.

LATCHING SOLENOID VALVE

ENVELOPE



INSTALLATION HOLE



3-WAY LATCHING SOLENOID VALVE ASSEMBLY

