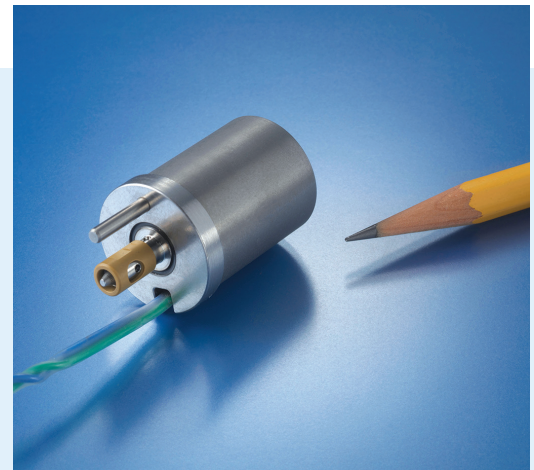


## NACE COMPLIANT LATCHING SOLENOID VALVE

The Lee Company's new NACE Compliant Latching Solenoid Valve is the ideal solution for power sensitive downhole applications. By incorporating permanent magnets into the coil design, this solenoid valve offers a dramatic reduction in overall power consumption, particularly when operating with extended "ON" periods. Unlike traditional designs that require continuous voltage to energize the valve from its natural state, this latching solenoid requires only a momentary pulse of less than a Joule to switch to and remain in state. Because the new valve is designed to be pressure balanced, rated for high temperatures and features NACE compliant wetted materials, it is ideal for applications in the oil and gas industries.

The Latching Solenoid Valve draws on the design elements of our ultra-compact and field proven piloting solenoid valves. The Lee MultiSeal™ radically simplifies port layout, offers significant space savings, reduces machining costs and provides superior reliability over traditional sealing methods. Contact your local Lee Sales Engineer for additional information and technical assistance.

- Magnetically latched
- Rated for 400°F
- Coil vented for pressure balancing
- NACE compliant materials in flow path
- Endurance tested to 250,000 cycles
- Lead wire front or rear
- Integral HI-BAR® safety screen (0.004 inch nominal hole size)
- Compatible with most operating fluids



LEE PART NUMBER	PORTING	WIRE EXIT
SDLA2121023A	2-Way	Front
SDLA2121023B		Rear
SDLA2131023A	3-Way	Front
SDLA2131023B		Rear

Replacement MultiSeal .....	SDBB2130408A
Optional Retainer .....	SDBB2130009A

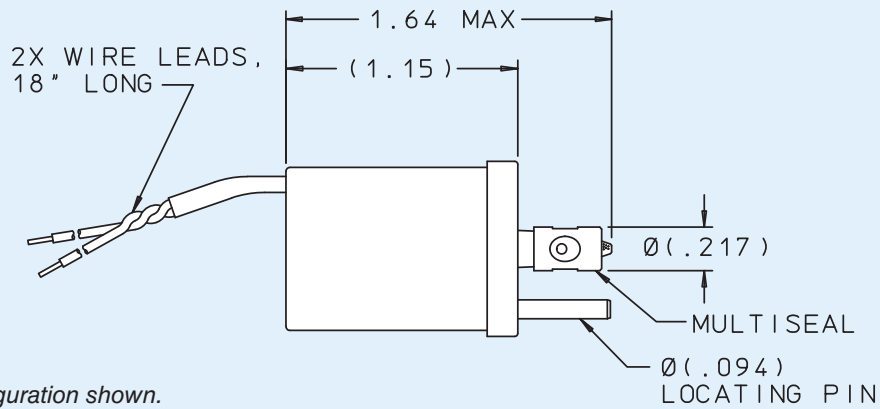
## SPECIFICATIONS

Type:	2 position, 2-way or 3-way	Voltage:	12 to 14 Vdc
Operating Pressure:	3000 psi	Power Consumption at 70°F:	0.5 J/switch
Maximum Transient:	4050 psi	Weight:	0.17 lbs. maximum
Proof:	4500 psi	Materials:	Magnetic path: ferritic stainless steel
Burst:	7500 psi		Magnet: SmCo
Lohm Rate:	2000 Lohms* maximum		Flow path: MP35N and silicon nitride
Temperature:	-65°F to +400°F		MultiSeal: carbon PEEK
Leakage at 3000 psid:	1 cc/minute maximum internal, zero external		Optional retainer: anodized aluminum

\*The Lohm is a measure of flow resistance. Additional information can be found at [www.TheLeeCo.com](http://www.TheLeeCo.com).

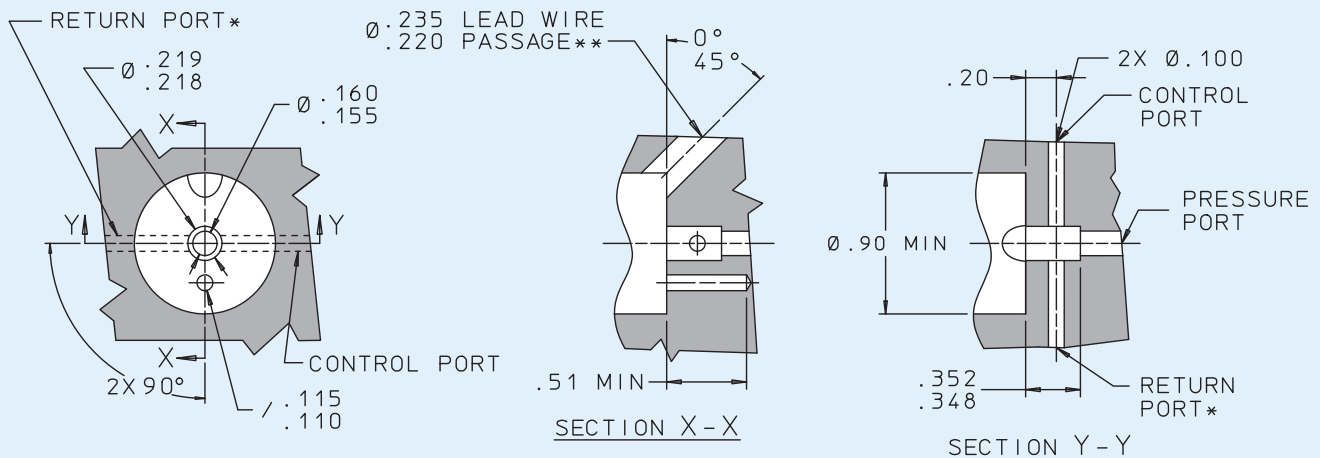
# NACE COMPLIANT LATCHING SOLENOID VALVE

## ENVELOPE



Lead wire rear configuration shown.

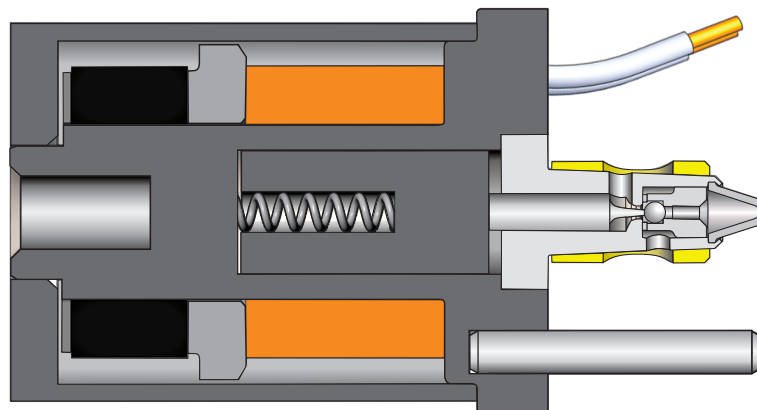
## INSTALLATION HOLE



\* Return port required for 3-way design

\*\* Lead wire front only

## NACE COMPLIANT LATCHING SOLENOID VALVE ASSEMBLY



3-way lead wire front configuration shown.