

200 SERIES POSITIVE DISPLACEMENT PUMP & MOTOR

The Lee Company introduces the latest achievement in miniaturization – the Lee 200 Series Positive Displacement Pump. Its unique radial piston design aids in self-priming at altitude and reduces cavitation.

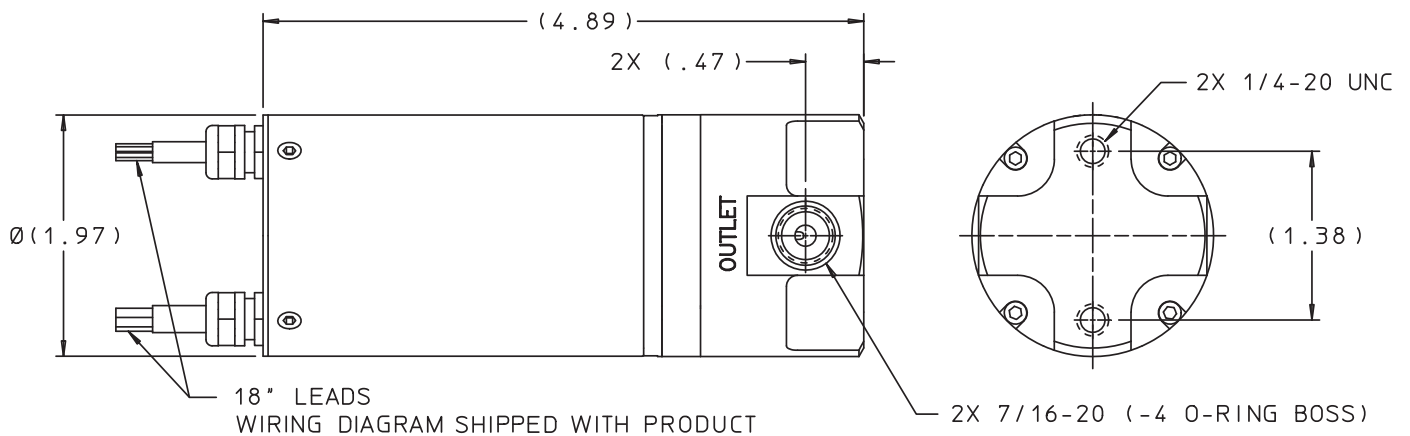
The 200 Series Pump provides high flow and pressure capabilities for a pump its size. It can provide 200 pph (pounds per hour) of flow and pressures as high as 115 psia. The pump is supplied with a powerful brushless DC servo motor allowing for precise control over a wide range of flow. Qualified for 1000 hours of operation and to numerous aerospace specifications, this pump provides industry leading durability and efficiency.

Please contact your local Lee Sales Engineer for additional information and technical assistance.

- Qualified for 1000 hours of operation
- Self-priming
- 2.5 lbs. maximum weight
- 100% tested and inspected
- Variable speed for optimal efficiency under changing conditions
- Aerospace proven brushless DC motor for precise control of flow
- Compatible with most fuels and petroleum based fluids
- -71°F to +230°F temperature range
- 12-28 Vdc range for input voltage
- Custom designs with filter screens and integrated motor drive and control also available
- Wetted Materials: 7075 Anodized Aluminum, Fluorosilicone, 15-5PH CRES, 17-7PH CRES, 400 Series CRES, 300 Series CRES, UHMWPE, Phenolic, and Nickel Aluminum Bronze



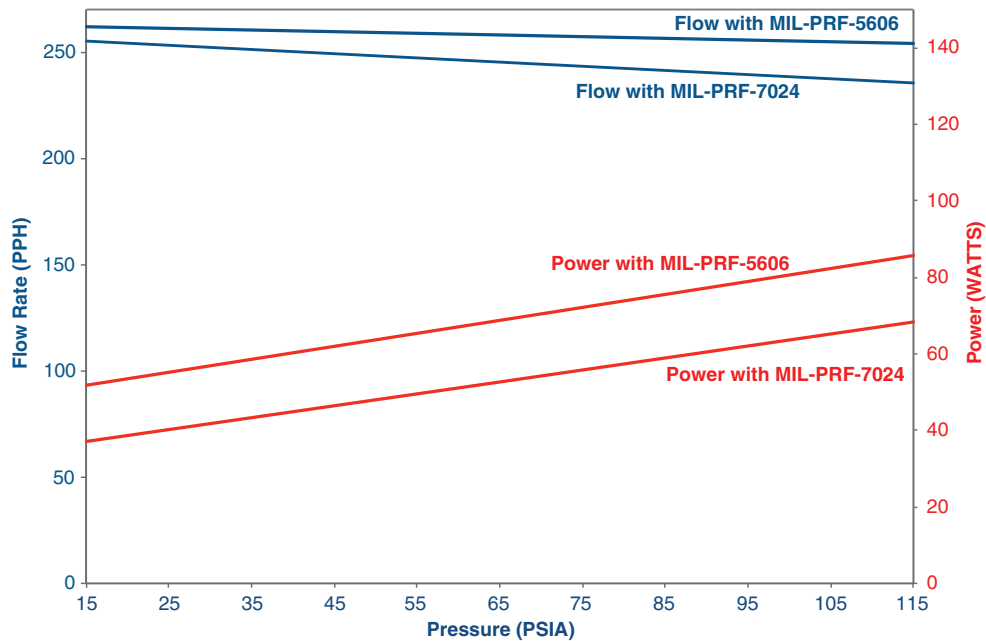
Lee Part Number GPRA2001521C



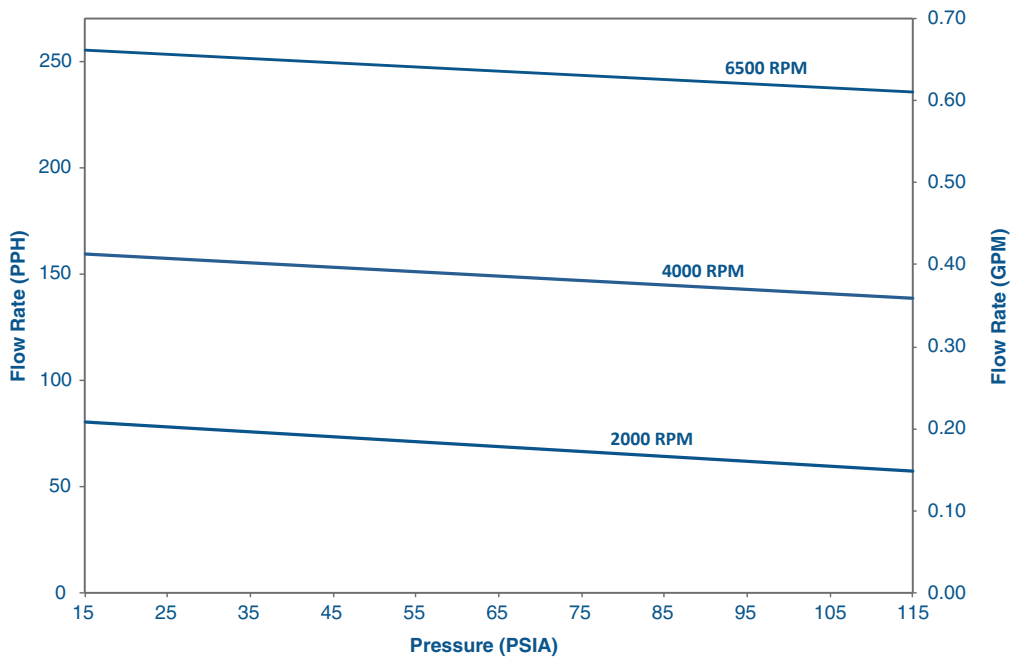
PERFORMANCE DATA	
Nominal Flow:	200 PPH
Discharge Pressure Range:	15-115 psia
Temperature Range:	-71°F to +230°F
Servo Motor:	
Speed Range:	1050-6500 RPM at 115 psia
Operating Voltage:	12-28 Vdc
Nominal Power Required at 115 psia:	68 W

200 SERIES POSITIVE DISPLACEMENT PUMP & MOTOR

TYPICAL PERFORMANCE AT 70°F



TYPICAL PERFORMANCE MIL-PRF-7024 AT 70°F



QUALIFICATION TESTING

RTCA/DO-160D	Environmental Conditions and Test Procedures for Airborne Equipment
SAE ARP8615	General Specification for Fuel System Components
SAE AIR4246	Contaminant for Aircraft Turbine Engine Fuel System Component Testing
MIL-STD-810	Environmental Test Methods
MIL-STD-461	Requirements for the Control of Electromagnetic Interference Characteristics of Subsystems and Equipment
ASTM G85.A4	Standard Practice for Modified Salt Spray (Fog) Testing
JSSG-2009	DoD Joint Services Specification Guide: Air Vehicle Subsystems