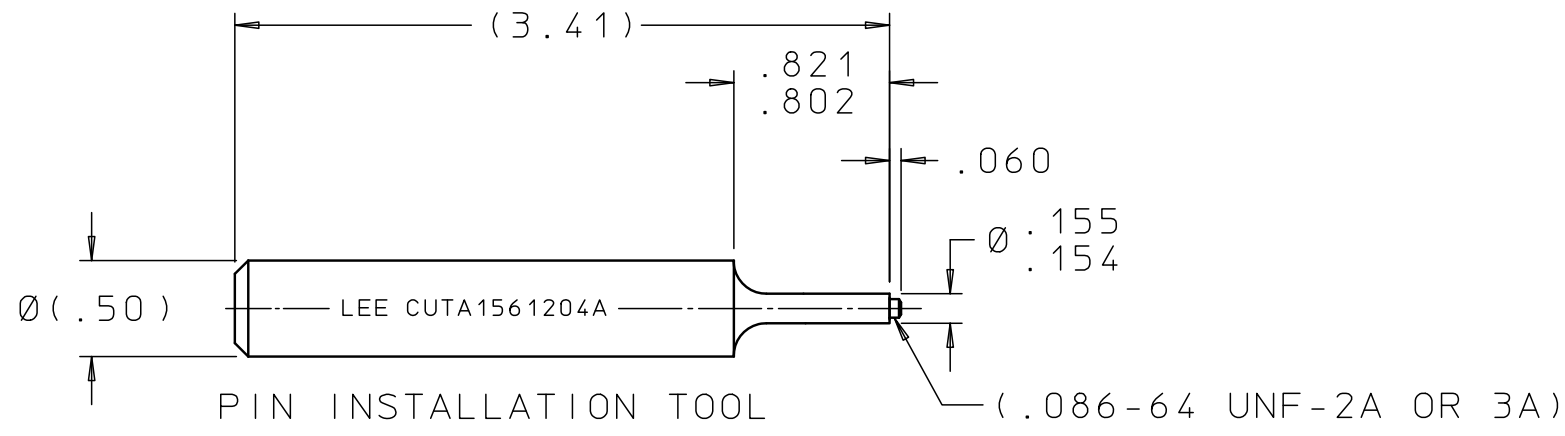
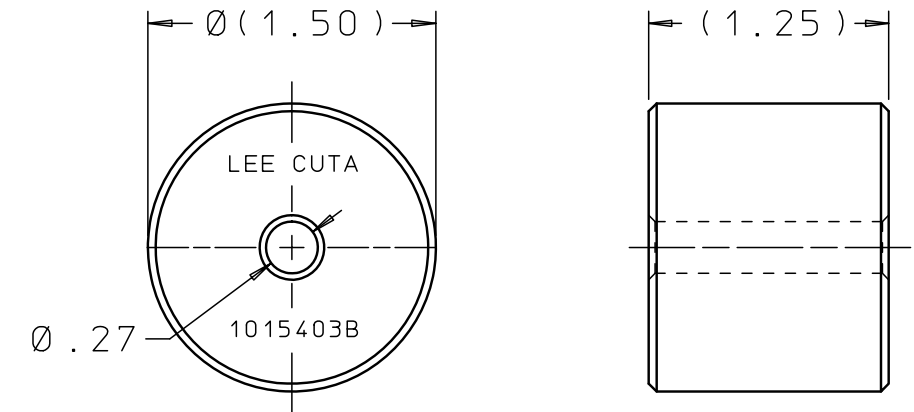
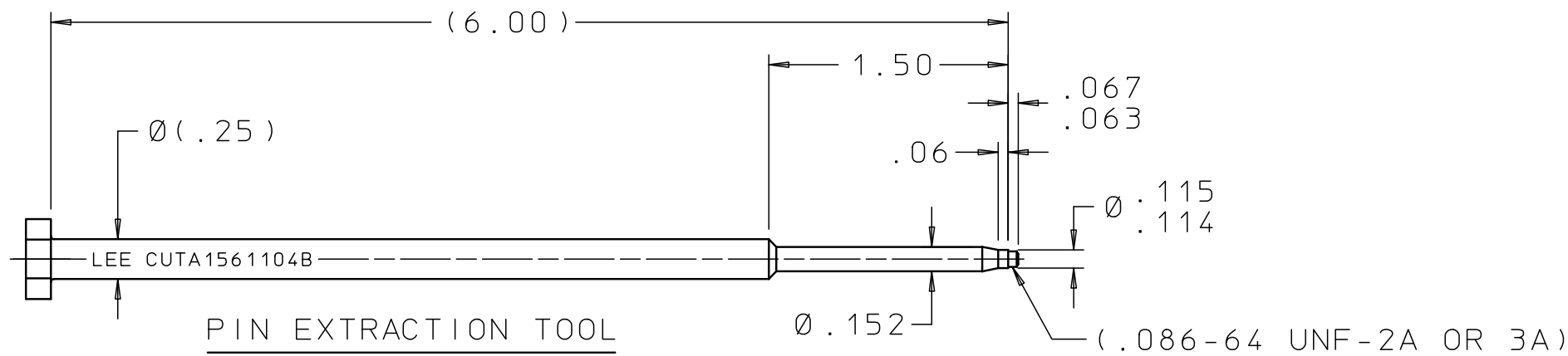
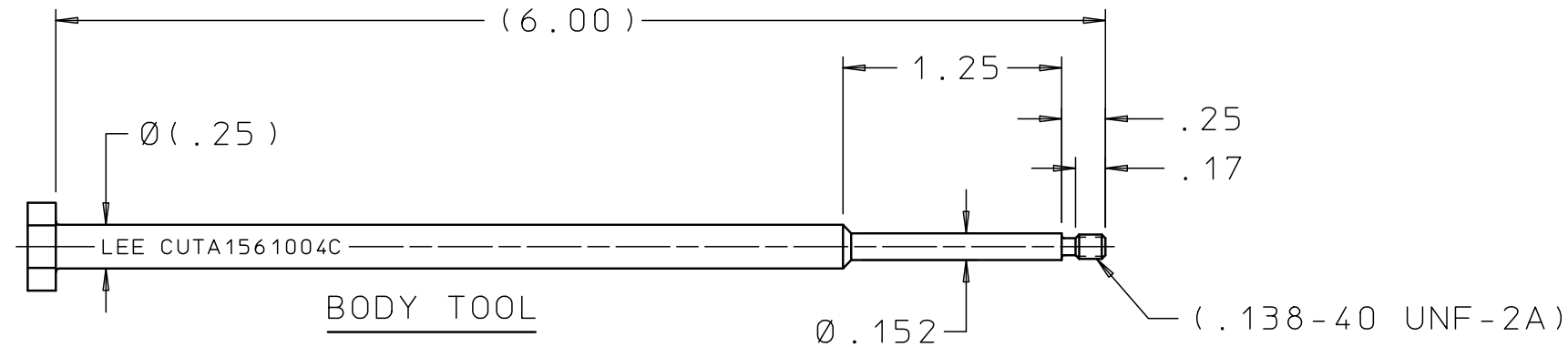


CUTA 1560104C

REV	DATE	BY	DESCRIPTION
A	04-01-05	KD	INITIAL RELEASE
B	10-22-12	KD	BODY TOOL; REMOVED HEX, ADDED 2 FLATS. DIM'S UPDATED. PIN EXTRACTION TOOL; REMOVED HEX, ADDED 2 FLATS. DIM'S UPDATED. PIN INST TOOL & STRIKER; DIM'S UPDATED.



INSTALLATION AND EXTRACTION SET FOR:  
.156-.166 LEE JET

**PROPRIETARY ITEM**

This document contains proprietary information and is submitted upon the express condition that the information contained herein will not be used directly or indirectly in any way detrimental to the interests of The Lee Company, and/or in violation of regulation DAR 7-104.9(a)(1 July 1974). et seq.

CUTD0407470  
REFERENCE

DWG NO: CUTA1560104C	NOTES AND DIMENSIONS SHOWN HERE ON ARE FOR INSPECTION IDENTIFICATION ONLY. ALL MANUFACTURING RIGHTS RESERVED.	DRAWN BY: K D	04-01-05	LEE TOOL SET	
	EXTERNAL CORNER RAD: INTERNAL FILLET RAD:	CHK'D BY: DEP	04-05-05	INSTALLATION AND EXTRACTION	
	SURFACE FINISH ✓ ALL OVER DIMENSIONS ARE IN INCHES	APP'D BY: B B	05-05-05	THE LEE COMPANY	
	TOLERANCES 2 PLACES ±.015 3 PLACES ±.005 ANGLES ±5°	MAT:	H.T.:	WESTBROOK, CT 06498	
		FINISH:	SIZE B	CAGE CODE 92555	DWG NO. CUTA1560104C
			DWG SCALE: NONE		REV B
			SHEET 1 OF 1		