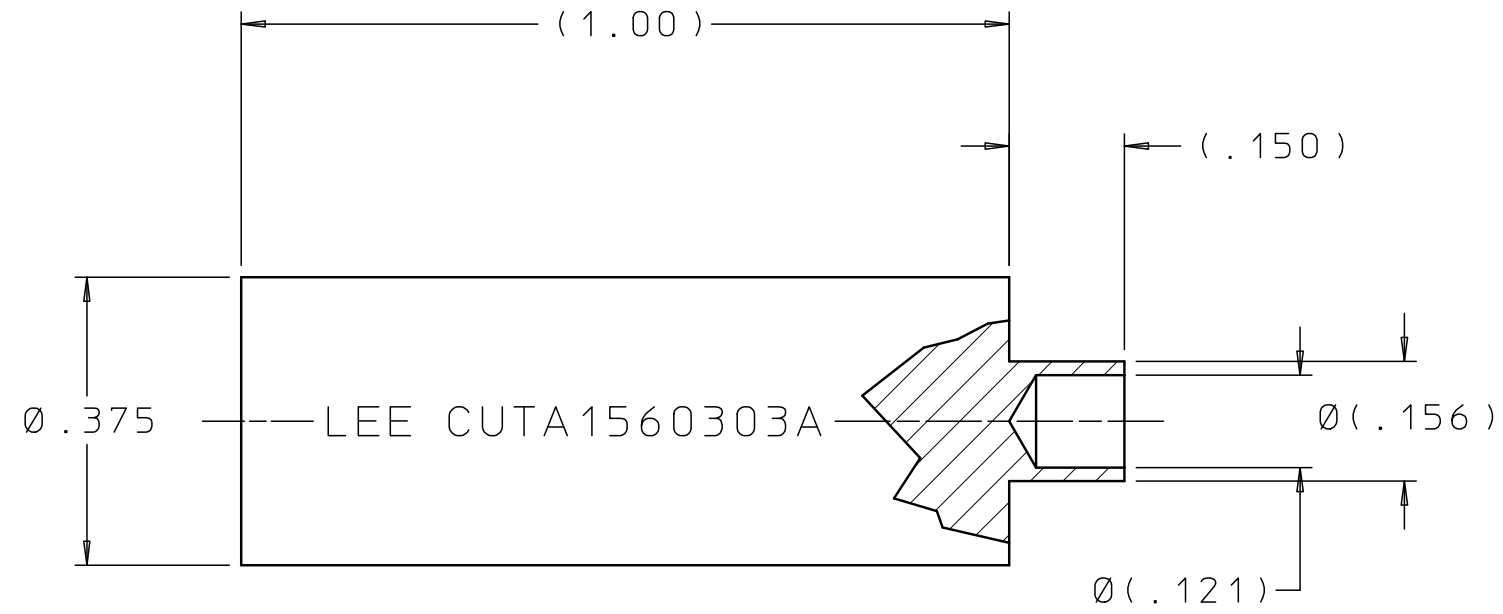


CUTA1560303A

REV	DATE	BY	DESCRIPTION
A	09-13-17	KD	INITIAL RELEASE
2	02-09-18	KD	ADDED LEE TO MARKING



NOTES:
1. SEATING TOOL FOR PLPA1560010A.

PROPRIETARY ITEM
This document contains confidential, trade secret information which is proprietary to The Lee Company, and is submitted upon the express condition that neither it, nor our products, will be used directly or indirectly in any way detrimental to the interests of The Lee Company, such as disclosure to others or replication of our products, and/or in violation of 18 U.S.C. 1905 (TSA), 5 U.S.C. 552 (FOIA), E.O.12600 of 6/23/87, 18 U.S.C. 1832, and C.G.S.A. (CT) Chapter 625 sec. 35-50 thru 35-58.


FMF
THE LEE COMPANY
WESTBROOK, CT

CUTD1560303
REFERENCE

DWG NO: CUTA1560303A

NOTES AND DIMENSIONS SHOWN HERE ON ARE FOR INSPECTION IDENTIFICATION ONLY. ALL MANUFACTURING RIGHTS RESERVED.
EXTERNAL CORNER RAD:
INTERNAL FILLET RAD:
SURFACE FINISH ✓ ALL OVER
DIMENSIONS ARE IN INCHES
TOLERANCES
2 PLACES ±.015 3 PLACES ±.005 ANGLES ±5°

DRAWN BY:	K D	09-13-17
CHK'D BY:	M P	09-14-17
APPD BY:	R M	09-18-17
MAT:		
H.T.:		
FINISH:		

LEE TOOL, .156 PLPA SEATING TOOL		
 THE LEE COMPANY WESTBROOK, CT 06498		
SIZE	CAGE CODE	DWG NO.
B	92555	CUTA1560303A
DWG SCALE: NONE		SHEET 1 OF 1

REV
A