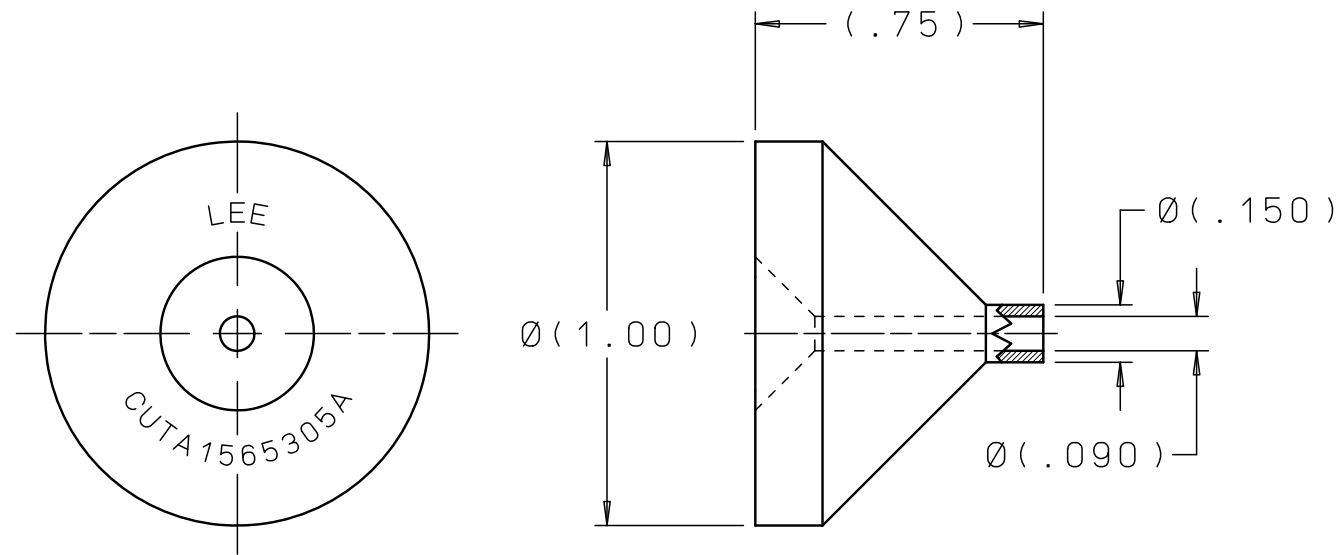
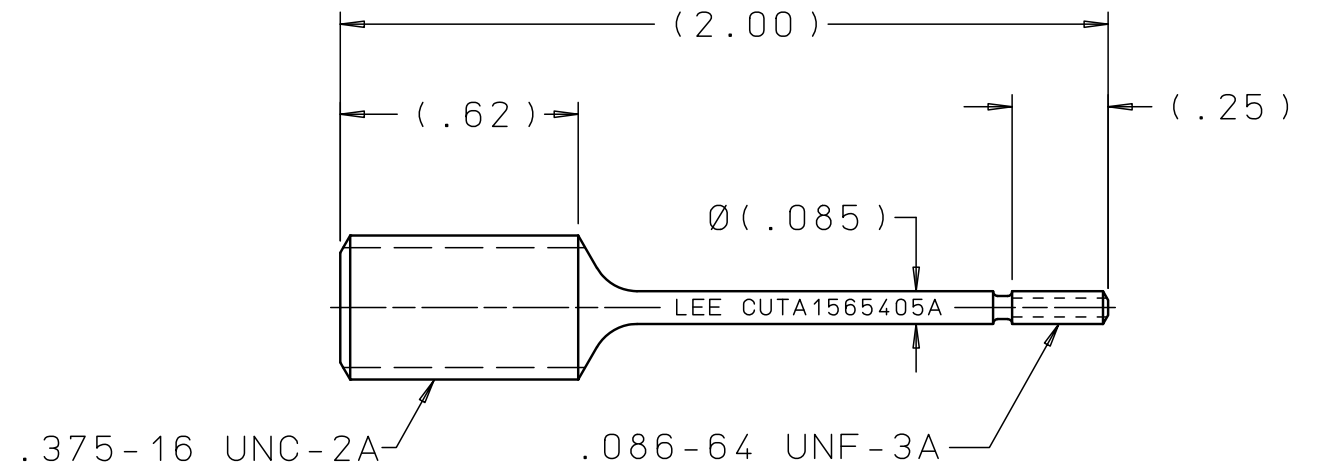


CUTA1565205A

REV	DATE	BY	DESCRIPTION
A	01-29-75	KMN	P/N WAS 15652
2	11-30-10	KD	DRAWN TO CAD. ADDED MARKINGS.



PUSHER



STUD

**PROPRIETARY ITEM**

This document contains proprietary information and is submitted upon the express condition that the information contained herein will not be used directly or indirectly in any way detrimental to the interests of The Lee Company, and/or in violation of regulation DAR 7-104.9(a)(1 July 1974). et seq.

CUTD1565205
REFERENCE

DWG NO: CUTA1565205A	NOTES AND DIMENSIONS SHOWN HERE ON ARE FOR INSPECTION IDENTIFICATION ONLY. ALL MANUFACTURING RIGHTS RESERVED.	DRAWN BY: P S 02-05-68	TOOL SET-		
	EXTERNAL CORNER RAD: INTERNAL FILLET RAD:	CHK'D BY: JFMc 02-08-68	.156 RFO HYD INSTAL TOOL		
	SURFACE FINISH ✓ ALL OVER DIMENSIONS ARE IN INCHES	APPD BY: EWL 02-09-68	<b>THE LEE COMPANY</b> WESTBROOK, CT 06498		
	TOLERANCES 2 PLACES 3 PLACES ANGLES ±.015 ±.005 ±5°	MAT:			
	H.T.:	SIZE B	CAGE CODE 92555	DWG NO. CUTA1565205A	REV A
	FINISH:	DWG SCALE: NONE		SHEET 1 OF 1	