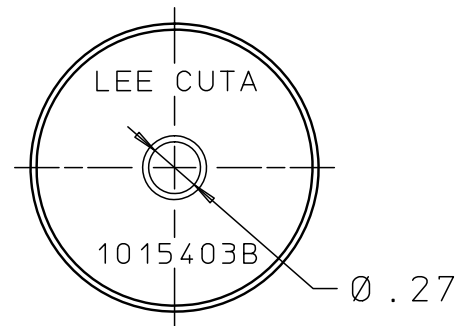
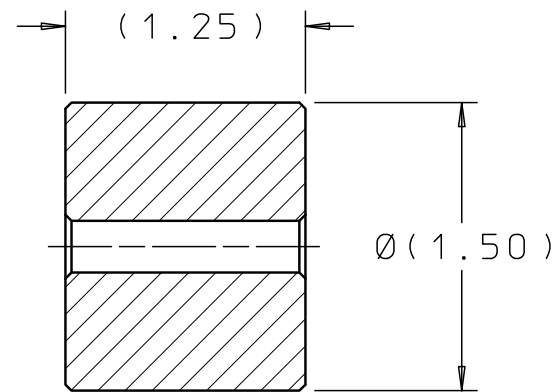
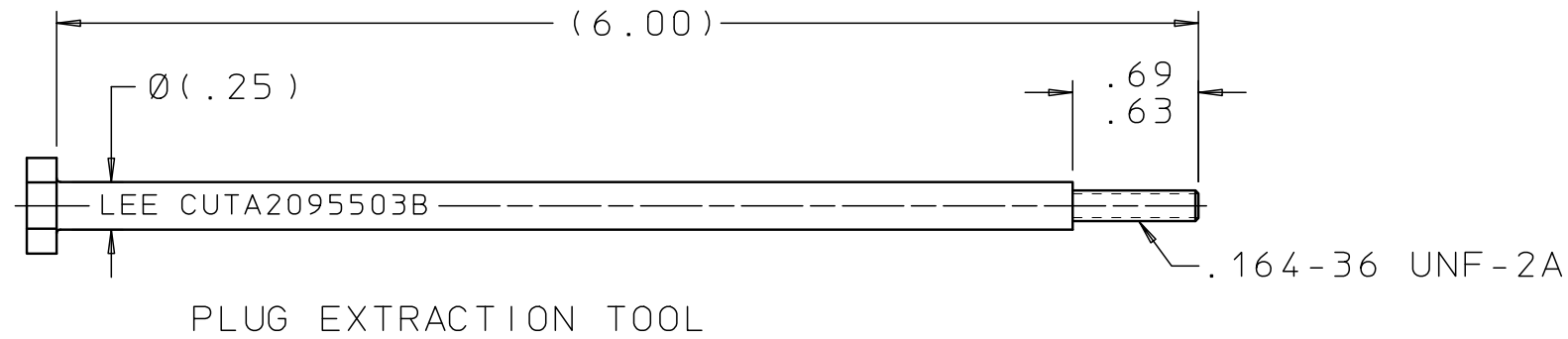
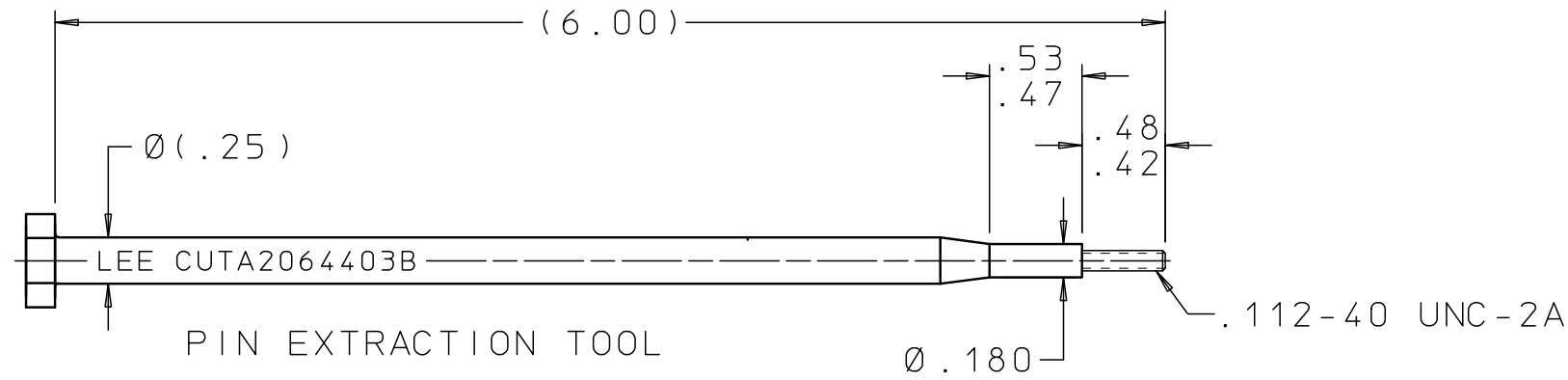
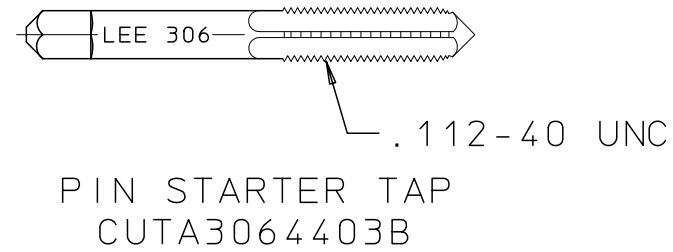


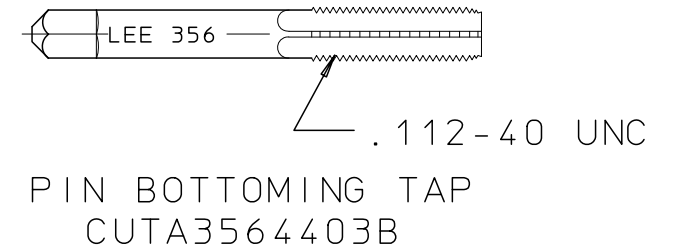
CUTA 1870103B



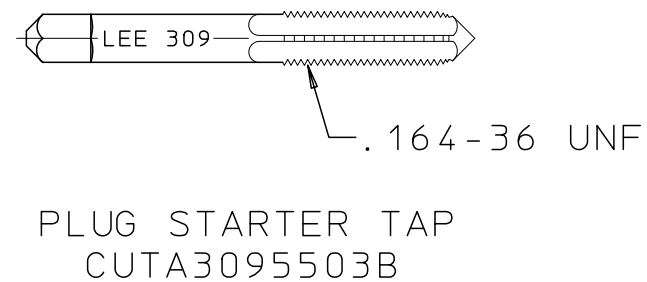
STRIKER



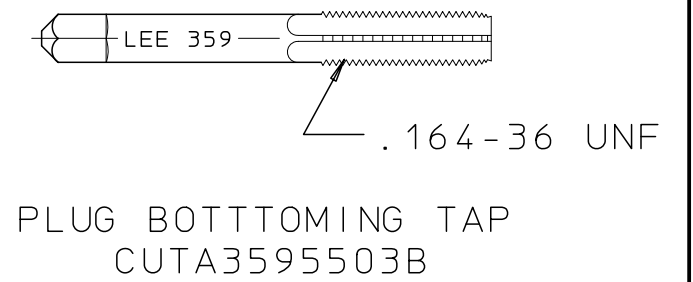
PIN STARTER TAP
CUTA3064403B



PIN BOTTOMING TAP
CUTA3564403B



PLUG STARTER TAP
CUTA3095503B



PLUG BOTTOMING TAP
CUTA3595503B

REV	DATE	BY	DESCRIPTION
A	12-31-75	JDR	INITIAL RELEASE
5	07-27-78	F P	ADDED REFERENCE
6	08-22-85	E D	REVISED TITLE
7	08-21-90	GMR	REDRAWN TO CAD; DWG WAS A SIZE WORD DWG
B	01-22-92	GMR	RMVD CUTA6064403B & CUTA6095503B; ADDED CUTA3064403B, CUTA-3564403B, CUTA309-5503B, CUTA3595503B; DWG WAS C SIZE.
2	03-11-08	KD	UPDATED INSPECTION DRAWING. REMOVED REV LETTER FROM MARKINGS. ADDED PART NUMBERS TO ALL TAPS.
3	06-02-09	KD	CUTA3095503B, CUTA3595503B & CUTA2095503B; UNF WAS UNC.
C	11-09-12	KD	PIN EXTRACTION TOOL; REMOVED HEX. ADDED 2 FLATS, .53-.47 & .48-.42. PLUG EXTRACTION TOOL; REMOVED HEX. ADDED 2 FLATS & .69-.63.

PROPRIETARY ITEM

This document contains proprietary information and is submitted upon the express condition that the information contained herein will not be used directly or indirectly in any way detrimental to the interests of The Lee Company, and/or in violation of regulation DAR 7-104.9(a)(1 July 1974). et seq.

CUTD1870103

REFERENCE

DWG NO: CUTA1870103B

NOTES AND DIMENSIONS SHOWN HERE ON ARE FOR INSPECTION IDENTIFICATION ONLY. ALL MANUFACTURING RIGHTS RESERVED.

EXTERNAL CORNER RAD:
INTERNAL FILLET RAD:

SURFACE FINISH ✓ ALL OVER
DIMENSIONS ARE IN INCHES

TOLERANCES
2 PLACES ±.015 3 PLACES ±.005 ANGLES ±5°

DRAWN BY: JDR 12-31-75

CHK'D BY: J B 08-23-85

APP'D BY: G L 12-31-75

MAT:

H.T.:

FINISH:

LEE PLUG EXTRACTION SET



THE LEE COMPANY
WESTBROOK, CT 06498

SIZE	CAGE CODE	DWG NO.	REV
B	92555	CUTA1870103B	C

DWG SCALE: NONE

SHEET 1 OF 1