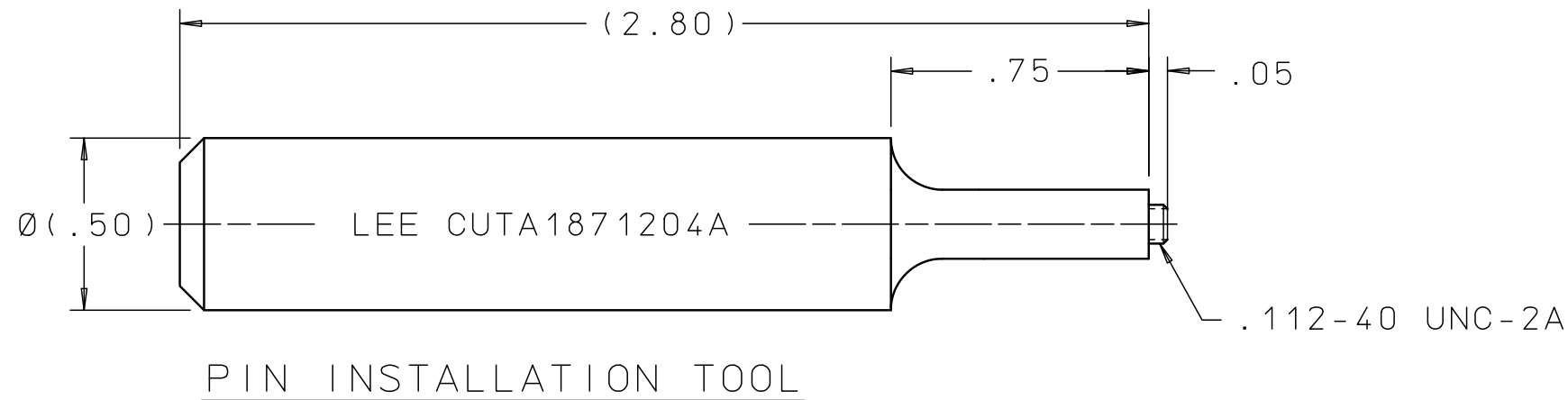
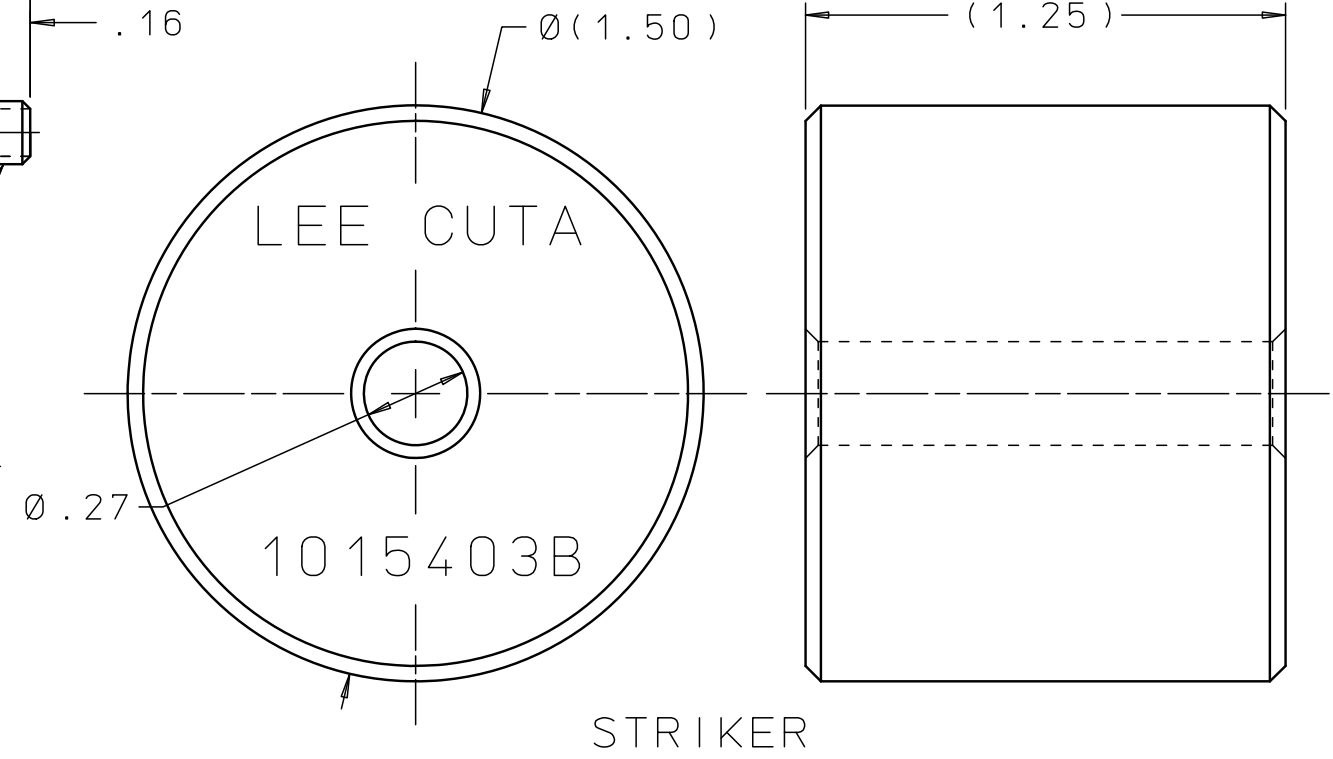
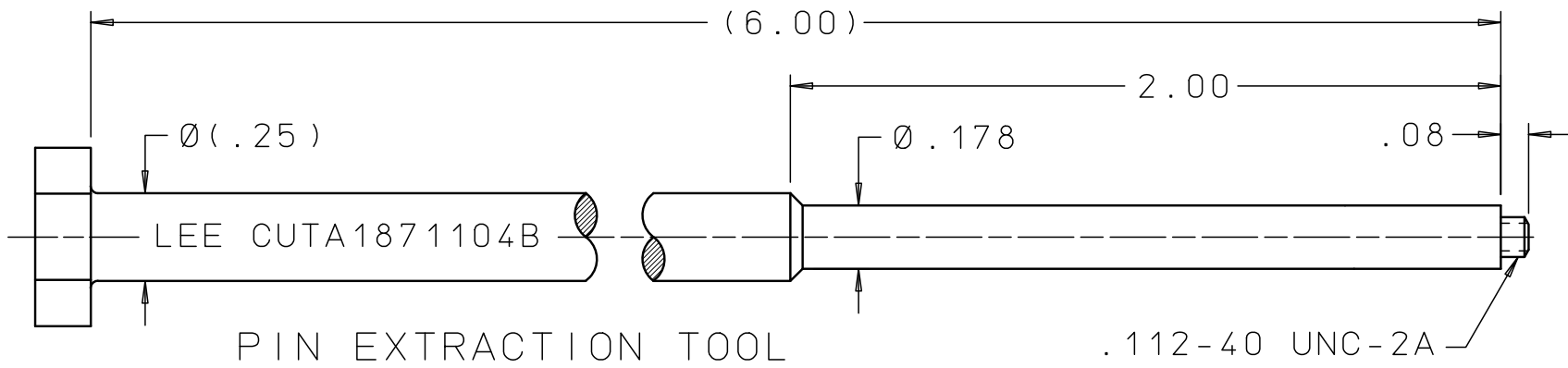
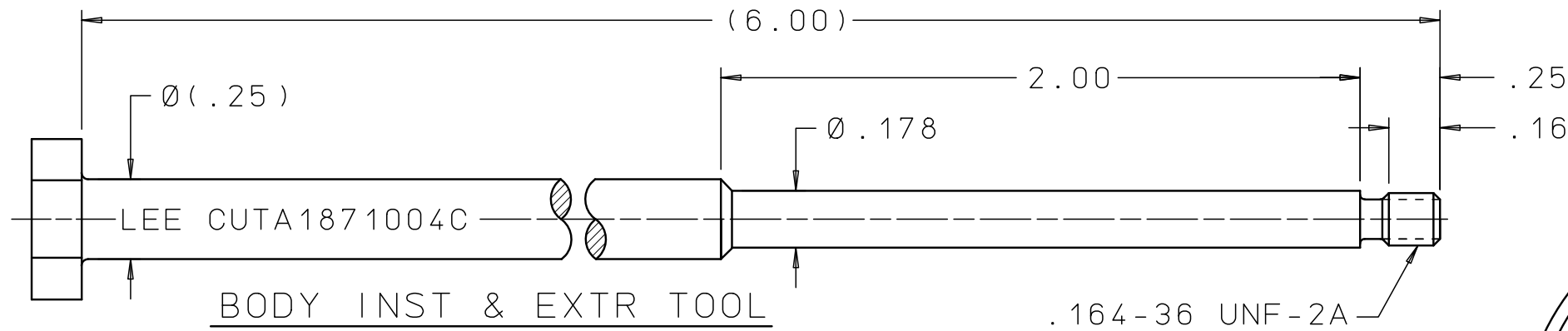


CUTA 1870104C

REV	DATE	BY	DESCRIPTION
K4	07-02-10	KD	UPDATED HEX VIEW ON BODY TOOL & PIN EXTR TOOL.
L	02-20-12	KD	BODY INST & EXTR TOOL, REMOVED HEX. ADDED 2 FLATS. PIN EXTR TOOL, REMOVED HEX. ADDED 2 FLATS.



INSTALLATION AND EXTRACTION SET FOR:

- .187-.197 LEE DEFLECTOR JET
- .187-.197 LEE BENDER JET
- .187-.197 LEE FLOW CONTROL
- .187-.197 LEE VISCO JET
- .187-.197 LEE RESTRICTOR CHEK
- .187-.197 LEE JET
- .187-.197 LEE TRI
- .187-.197 LEE PRI
- .187-.197 LEE CHEK
- .187-.197 LEE JEVA
- .187-.197 LEE SPIN JET
- .187-.197 LEE STRAIGHT SQUIRTER

PROPRIETARY ITEM

This document contains proprietary information and is submitted upon the express condition that the information contained herein will not be used directly or indirectly in any way detrimental to the interests of The Lee Company, and/or in violation of regulation DAR 7-104.9(a)(1 July 1974). et seq.

CUTD0101000
REFERENCE

DWG NO: CUTA 1870104C

NOTES AND DIMENSIONS SHOWN HERE ON ARE FOR INSPECTION IDENTIFICATION ONLY. ALL MANUFACTURING RIGHTS RESERVED.

EXTERNAL CORNER RAD:
INTERNAL FILLET RAD:

SURFACE FINISH ✓ ALL OVER
DIMENSIONS ARE IN INCHES

TOLERANCES
2 PLACES ±.015 3 PLACES ±.005 ANGLES ±5°

DRAWN BY: GUY 10-18-62

CHK'D BY: NWS 10-22-62

APPD BY: G L

MAT:

H.T.:

FINISH:

LEE TOOL SET
INSTALLATION AND EXTRACTION



THE LEE COMPANY
WESTBROOK, CT 06498

SIZE	CAGE CODE	DWG NO.	REV
B	92555	CUTA1870104C	L

DWG SCALE: NONE SHEET 1 OF 1