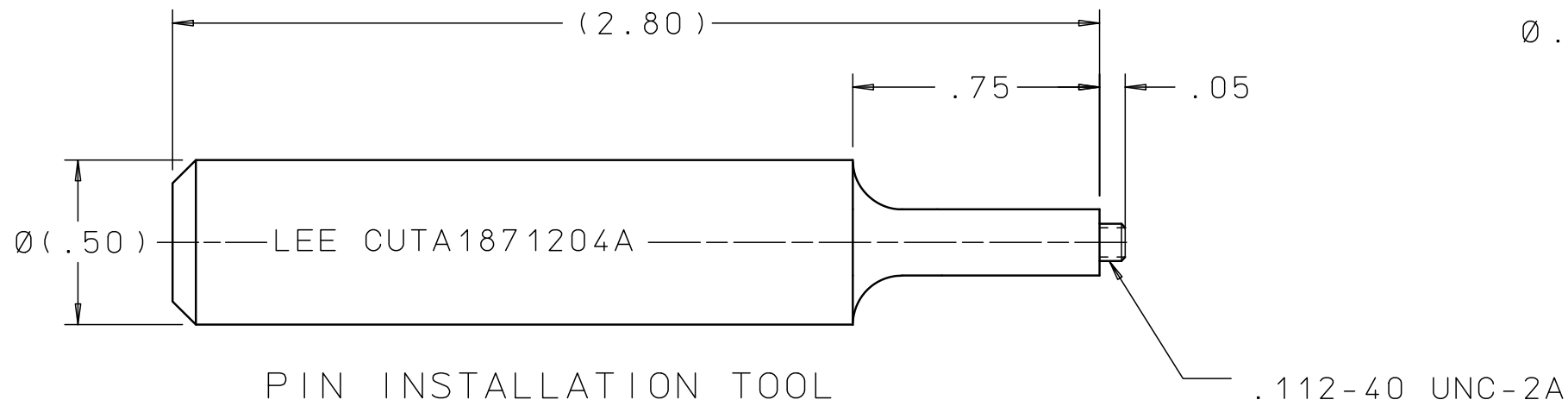
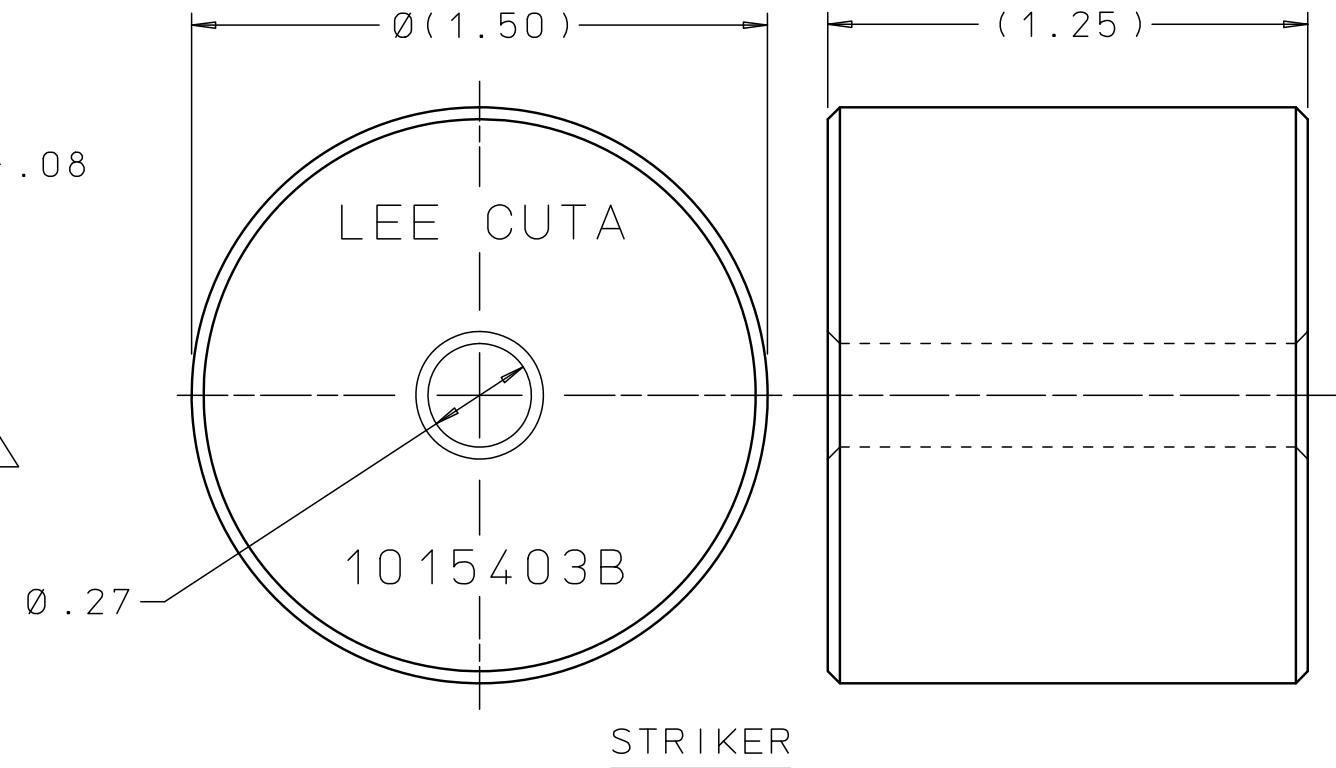
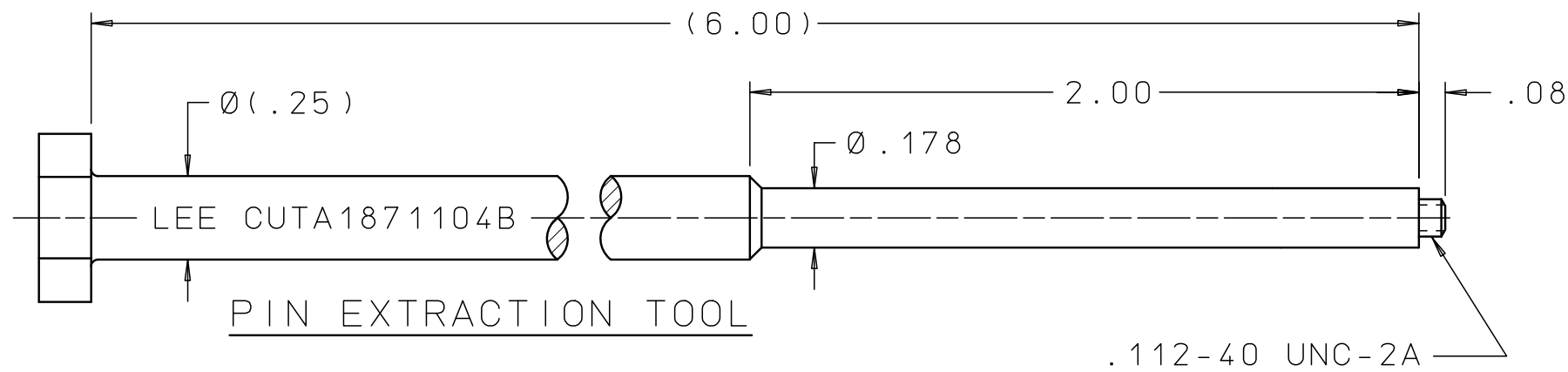
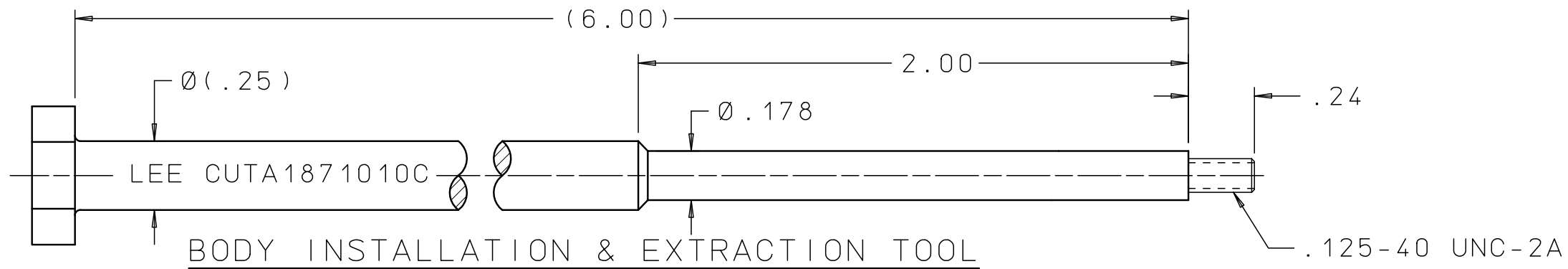


CUTA1870110C

REV	DATE	BY	DESCRIPTION
H2	05-28-09	KD	REMOVED ALL REV LETTERS FROM PART NUMBER MARKINGS.
3	07-09-10	KD	BODY TOOL; ADDED $\emptyset(.25)$ & (6.00) WAS 6.00. PIN EXTR TOOL ADDED $\emptyset(.25)$ & (6.00) WAS 6.00. PIN INST TOOL; $\emptyset(.50)$ WAS 2.80. STRIKER; $\emptyset(1.50)$ WAS $\emptyset 1.49$ & (1.25) WAS 1.25.
J	02-20-12	KD	BODY INSTAL & EXTR TOOL; REMOVED HEX. ADDED 2 FLATS. PIN EXTR TOOL; REMOVED HEX. ADDED 2 FLATS.



INSTALLATION AND EXTRACTION SET FOR:

- .187 - .197 LEE HIGHWATT JET
- .187 - .197 LEE LOLOHM CHEK

PROPRIETARY ITEM

This document contains proprietary information and is submitted upon the express condition that the information contained herein will not be used directly or indirectly in any way detrimental to the interests of The Lee Company, and/or in violation of regulation DAR 7-104.9(a)(1 July 1974). et seq.

CUTD0101050
REFERENCE

DWG NO: CUTA1870110C

NOTES AND DIMENSIONS SHOWN HERE ON ARE FOR INSPECTION IDENTIFICATION ONLY. ALL MANUFACTURING RIGHTS RESERVED.

EXTERNAL CORNER RAD:
INTERNAL FILLET RAD:

SURFACE FINISH \checkmark ALL OVER
DIMENSIONS ARE IN INCHES

TOLERANCES
2 PLACES $\pm .015$ 3 PLACES $\pm .005$ ANGLES $\pm 5^\circ$

DRAWN BY: E B 08-11-71

CHK'D BY: P C 07-17-89

APPD BY: G L 08-30-71

MAT:

H.T.:

FINISH:

LEE TOOL SET
INSTALLATION AND EXTRACTION



THE LEE COMPANY
WESTBROOK, CT 06498

SIZE	CAGE CODE	DWG NO.	REV
B	92555	CUTA1870110C	J

DWG SCALE: NONE

SHEET 1 OF 1