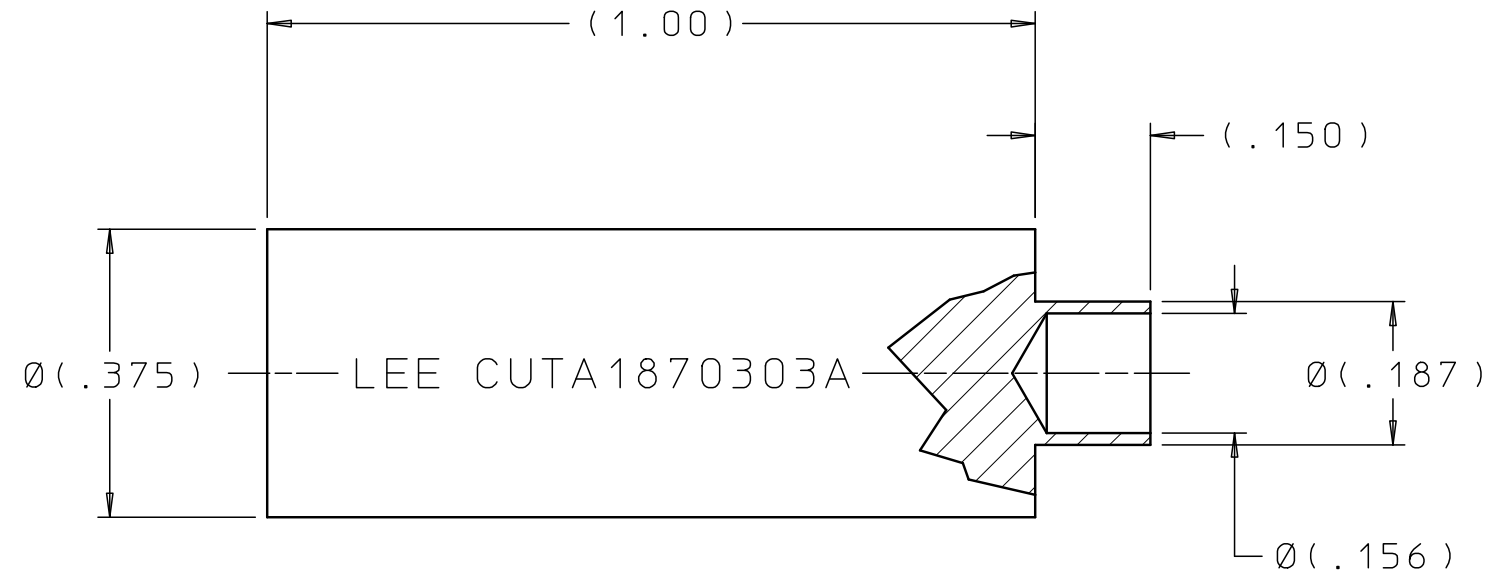


CUTA1870303A

REV	DATE	BY	DESCRIPTION
A	09-13-17	KD	INITIAL RELEASE
2	02-09-18	KD	ADDED LEE TO MARKING




NOTES:
1. SEATING TOOL FOR PLPA1870010A.

PROPRIETARY ITEM
This document contains confidential, trade secret information which is proprietary to The Lee Company, and is submitted upon the express condition that neither it, nor our products, will be used directly or indirectly in any way detrimental to the interests of The Lee Company, such as disclosure to others or replication of our products, and/or in violation of 18 U.S.C. 1905 (TSA), 5 U.S.C. 552 (FOIA), E.O.12600 of 6/23/87, 18 U.S.C. 1832, and C.G.S.A. (CT) Chapter 625 sec. 35-50 thru 35-58.

FMF
THE LEE COMPANY
WESTBROOK, CT

CUTD1870303
REFERENCE

DWG NO: CUTA1870303A	NOTES AND DIMENSIONS SHOWN HERE ON ARE FOR INSPECTION IDENTIFICATION ONLY. ALL MANUFACTURING RIGHTS RESERVED.	DRAWN BY: K D	09-13-17	LEE TOOL, .187 PLPA SEATING TOOL	
	EXTERNAL CORNER RAD: INTERNAL FILLET RAD:	CHK'D BY: M P	09-14-17	 THE LEE COMPANY WESTBROOK, CT 06498	
		APP'D BY: R M	09-18-17		
	SURFACE FINISH ✓ ALL OVER DIMENSIONS ARE IN INCHES	MAT:	H.T.:	FINISH:	SIZE: B
TOLERANCES 2 PLACES ±.015 3 PLACES ±.005 ANGLES ±5°	DWG NO.: CUTA1870303A		REV: A	DWG SCALE: NONE SHEET 1 OF 1	