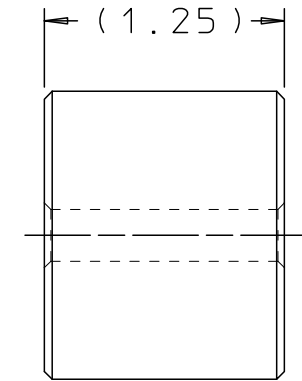
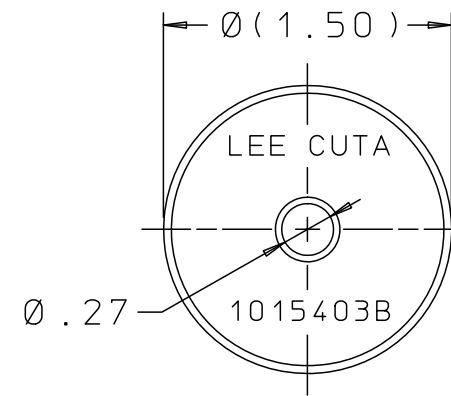
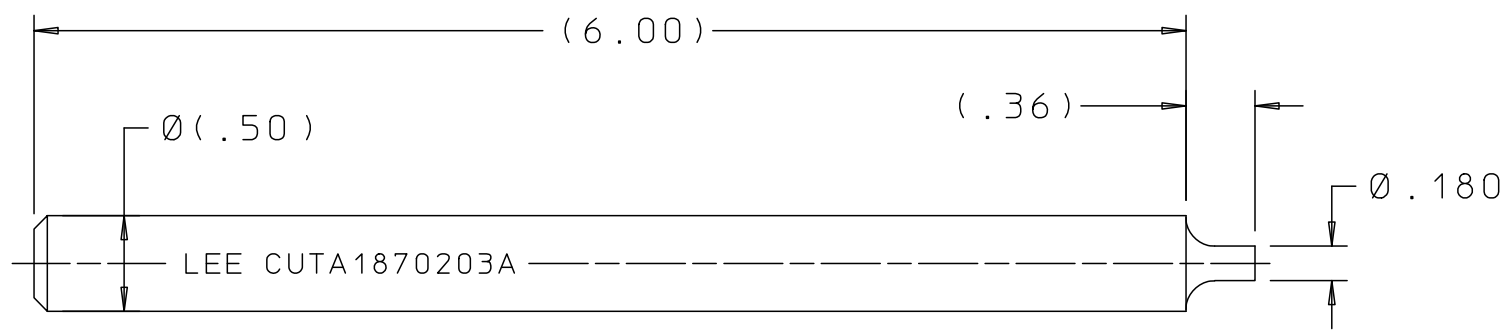
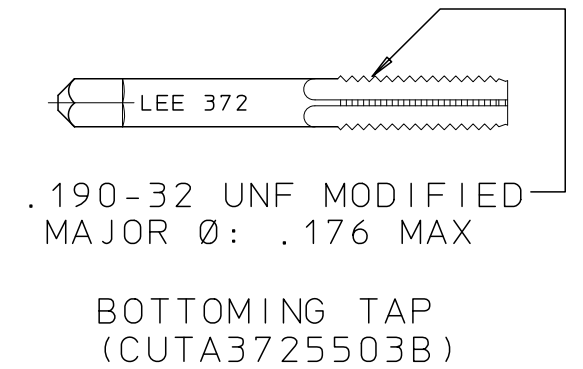
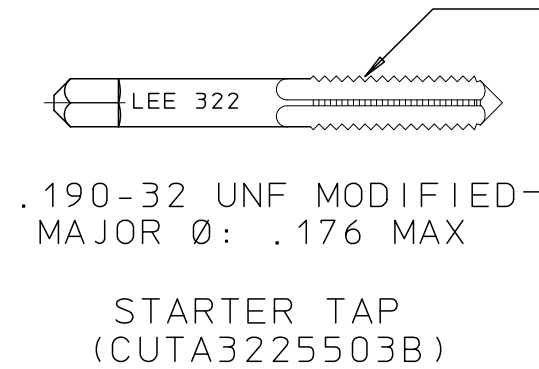
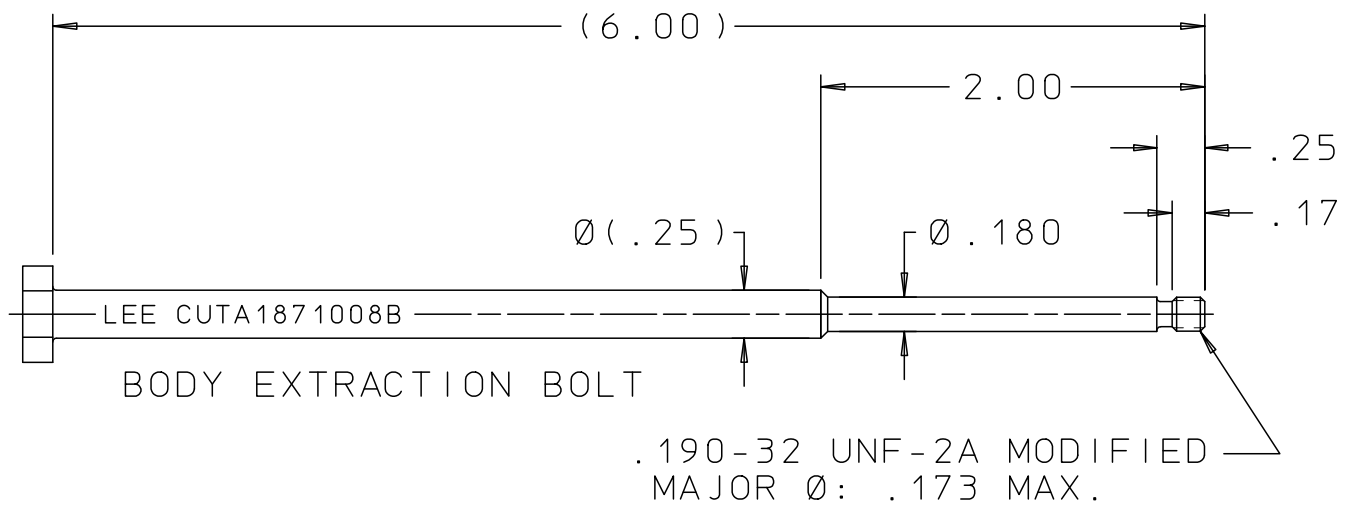
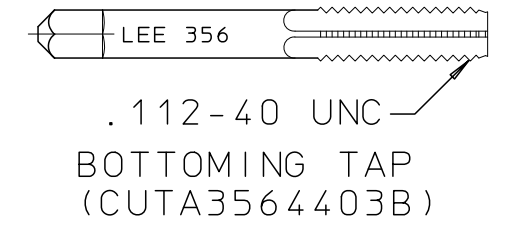
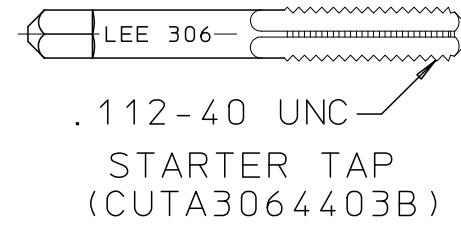
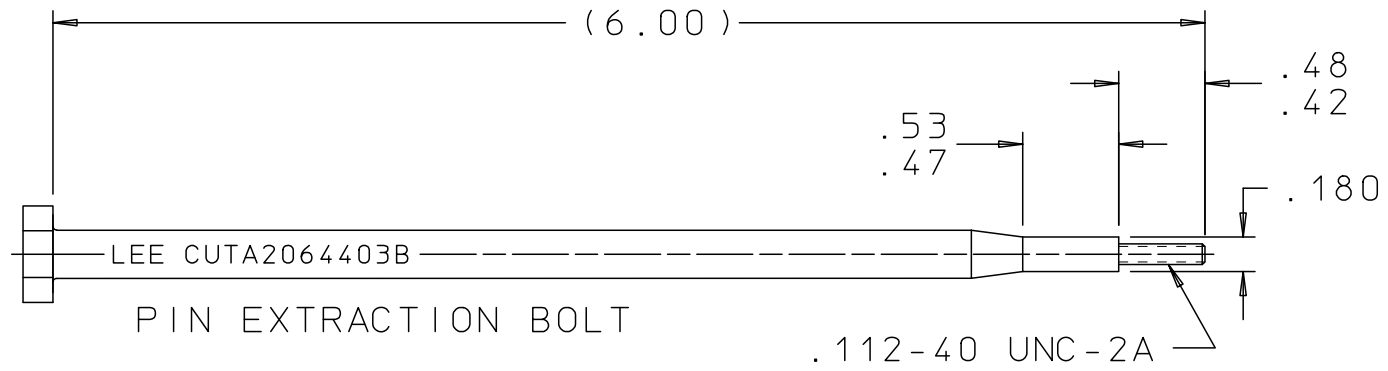


# CUTA1870801C

REV	DATE	BY	DESCRIPTION
A	11-01-95	BR	INITIAL RELEASE
2	05-17-10	KD	REMOVED REV LETTER FROM PIN & BODY EXTRACTION BOLT & STRIKER.
B	10-23-13	KD	PIN & BODY EXTRACTION BOLT: REMOVED HEX ADDED 2 FLATS.



STRIKER

INSTALLATION AND EXTRACTION SET FOR: 187 LUBRICATION JET

## PROPRIETARY ITEM

This document contains proprietary information and is submitted upon the express condition that the information contained herein will not be used directly or indirectly in any way detrimental to the interests of The Lee Company, and/or in violation of regulation DAR 7-104.9(a)(1 July 1974), et seq.

CUTD0105660

REFERENCE

DWG NO: CUTA1870801C

NOTES AND DIMENSIONS SHOWN HERE ON ARE FOR INSPECTION IDENTIFICATION ONLY. ALL MANUFACTURING RIGHTS RESERVED.

EXTERNAL CORNER RAD:  
INTERNAL FILLET RAD:

SURFACE FINISH ✓ ALL OVER  
DIMENSIONS ARE IN INCHES

TOLERANCES  
2 PLACES ±.015 3 PLACES ±.005 ANGLES ±5°

DRAWN BY: B R 11-01-95

CHK'D BY: L B 11-03-95

APP'D BY: B B 11-07-95

MAT:

H.T.:

FINISH:

LEE INSTALLATION/EXTRACTION TOOL SET 187 AND 197 JELA



THE LEE COMPANY  
WESTBROOK, CT 06498

SIZE	CAGE CODE	DWG NO.	REV
B	92555	CUTA1870801C	B

DWG SCALE: NONE

SHEET 1 OF 1