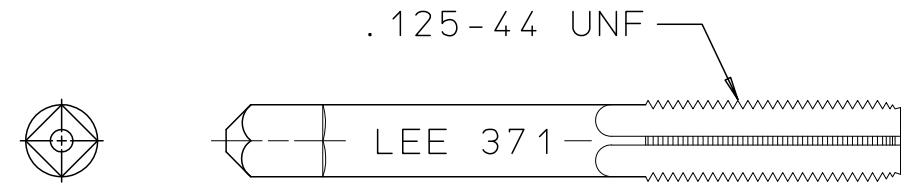
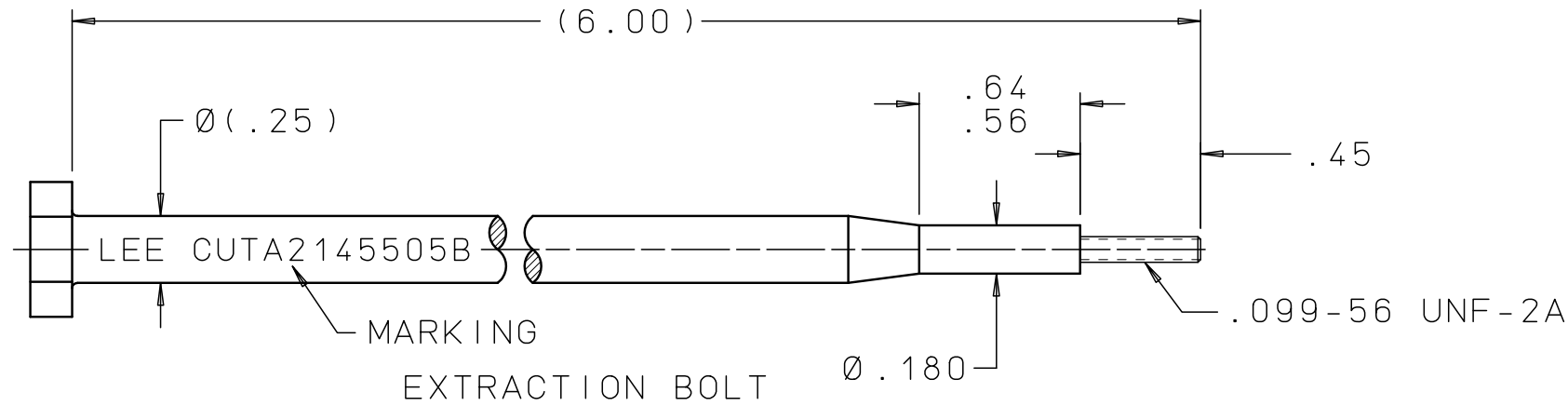
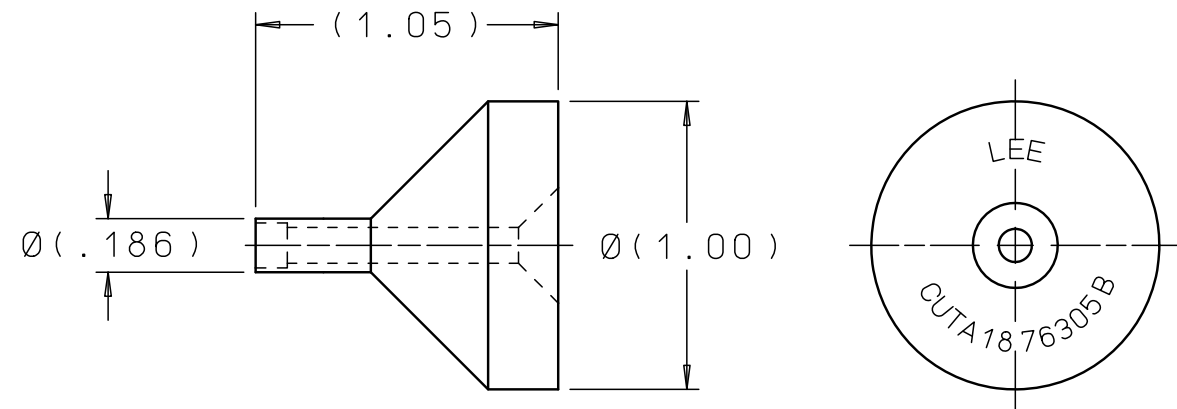


CUTA1876205B

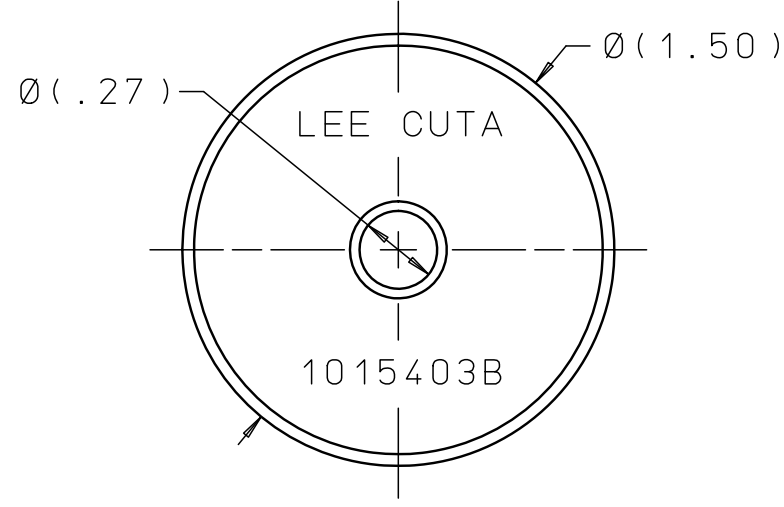
REV	DATE	BY	DESCRIPTION
A	10-05-92	DFW	INITIAL RELEASE
2	12-14-10	KD	DRAWN TO CAD



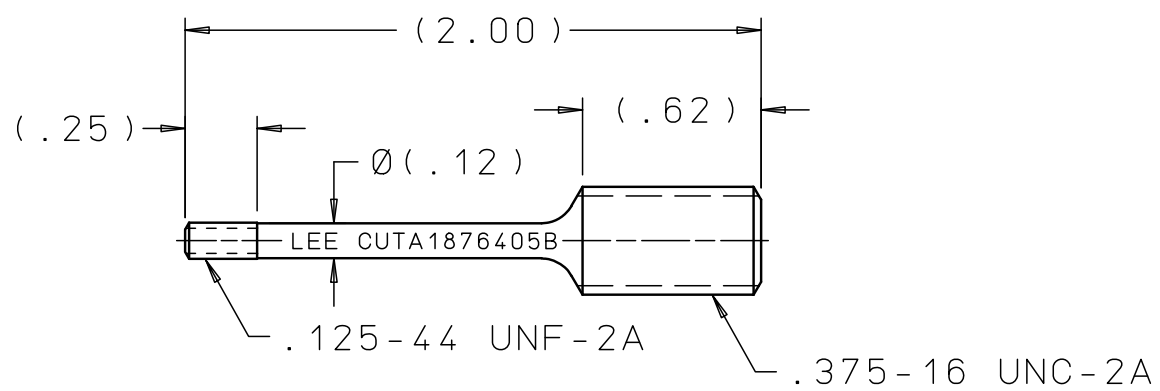
BOTTOMING TAP
PIN EXTRACTION
(CUTA3715505B)



EXTRACTION SLEEVE



STRIKER



STUD

NOTES:
1. FOR RFO PLUG EXTRACTION SEE THE LEE COMPANY
PROCESS SPECIFICATION 203 SECTION IV.

PROPRIETARY ITEM
This document contains proprietary information and is submitted upon the express condition that the information contained herein will not be used directly or indirectly in any way detrimental to the interests of The Lee Company, and/or in violation of regulation DAR 7-104.9(a)(1 July 1974), et seq.

CUTD1876205
REFERENCE

DWG NO: CUTA1876205B	NOTES AND DIMENSIONS SHOWN HERE ON ARE FOR INSPECTION IDENTIFICATION ONLY. ALL MANUFACTURING RIGHTS RESERVED.	DRAWN BY: DFW	10-05-82	LEE RFO PLUG EXTRACTION SET	
	EXTERNAL CORNER RAD: INTERNAL FILLET RAD:	CHK'D BY: RJG	03-31-83	THE LEE COMPANY WESTBROOK, CT 06498	
	SURFACE FINISH ✓ ALL OVER DIMENSIONS ARE IN INCHES	APP'D BY: SEA	03-31-83	SIZE: B	CAGE CODE: 92555
	TOLERANCES 2 PLACES ±.015 3 PLACES ±.005 ANGLES ±5°	MAT:	H.T.:	DWG NO.: CUTA1876205B	REV: A
FINISH:			DWG SCALE: NONE		SHEET 1 OF 1