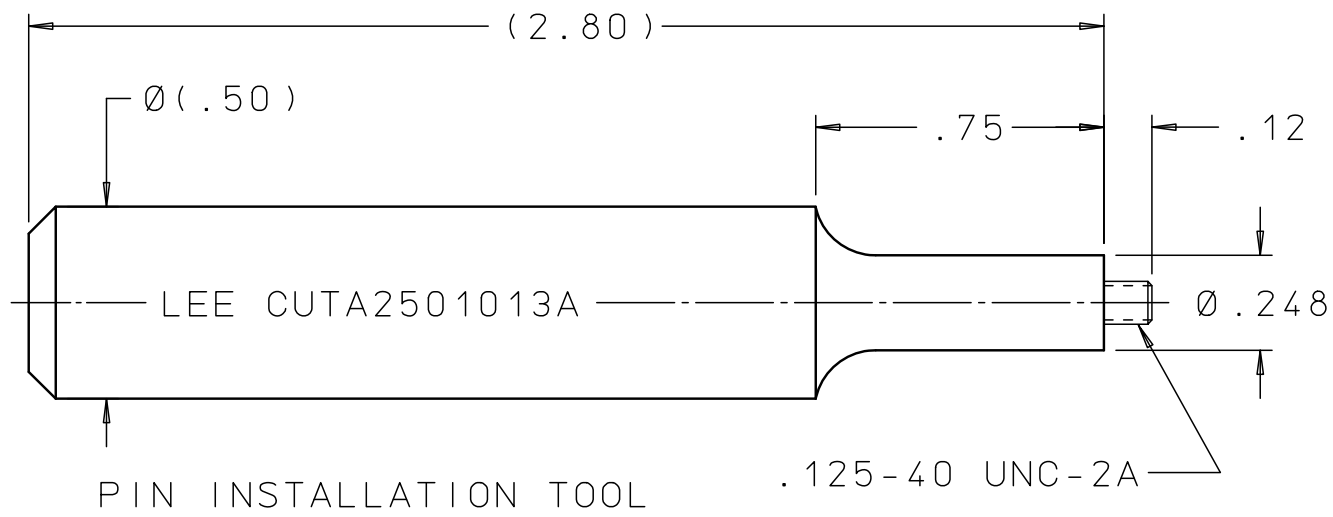
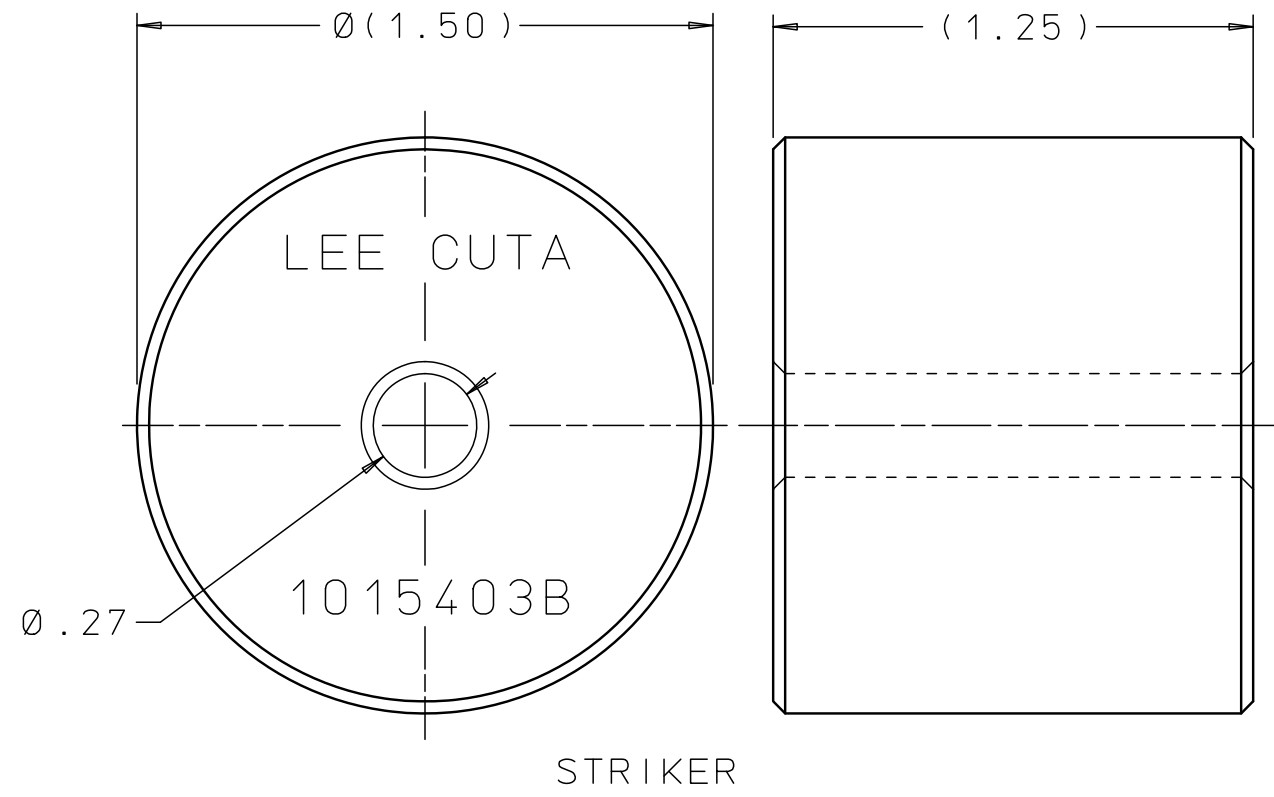
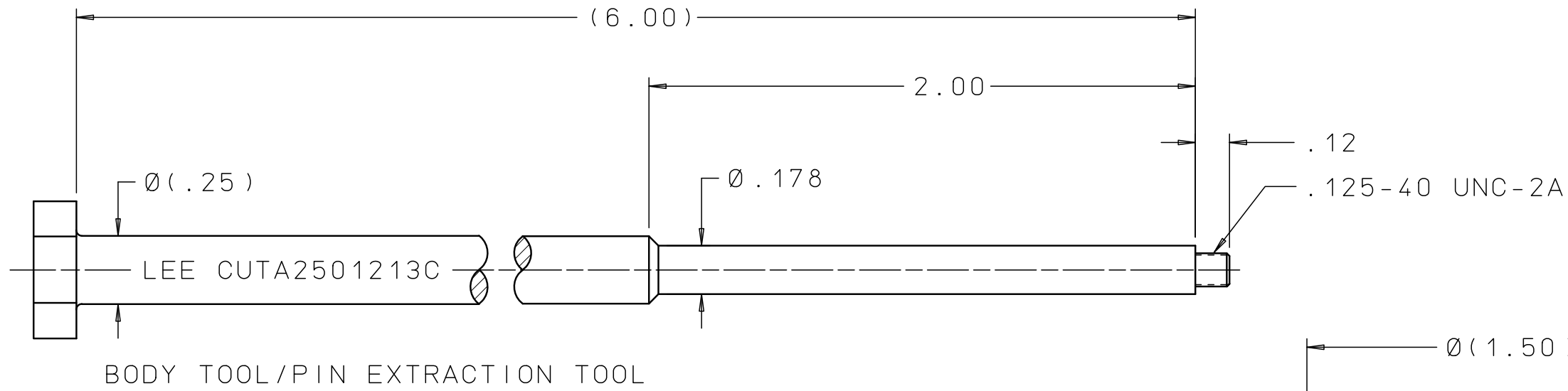


CUTA2000113C

REV	DATE	BY	DESCRIPTION
L2	05-22-00	HM	REMOVED REV. LTR FROM MARKING.
M	07-30-10	KD	BODY TOOL/PIN EXT TOOL: REMOVED HEX. ADDED 2 FLATS. PIN INST TOOL: Ø(.50) WAS Ø.50 & (2.80) WAS 2.80. STRIKER: Ø(1.50) WAS Ø1.49 & (1.25) WAS 1.25



INSTALLATION AND EXTRACTION SET FOR:
250-.260 LEE SHORT AXIAL VISCO JET

PROPRIETARY ITEM

This document contains proprietary information and is submitted upon the express condition that the information contained herein will not be used directly or indirectly in any way detrimental to the interests of The Lee Company, and/or in violation of regulation DAR 7-104.9(a)(1 July 1974). et seq.

CUTD0101100
REFERENCE

DWG NO: CUTA2000113C

NOTES AND DIMENSIONS SHOWN HERE ON ARE FOR INSPECTION IDENTIFICATION ONLY. ALL MANUFACTURING RIGHTS RESERVED.

EXTERNAL CORNER RAD:
INTERNAL FILLET RAD:

SURFACE FINISH ✓ ALL OVER
DIMENSIONS ARE IN INCHES

TOLERANCES
2 PLACES ±.015 3 PLACES ±.005 ANGLES ±5°

DRAWN BY: JED 2-12-69

CHK'D BY:

APP'D BY: G L

MAT:

H.T.:

FINISH:

LEE TOOL SET
INSTALLATION AND EXTRACTION



THE LEE COMPANY
WESTBROOK, CT 06498

SIZE	CAGE CODE	DWG NO.	REV
B	92555	CUTA2000113C	M

DWG SCALE: NONE

SHEET 1 OF 1