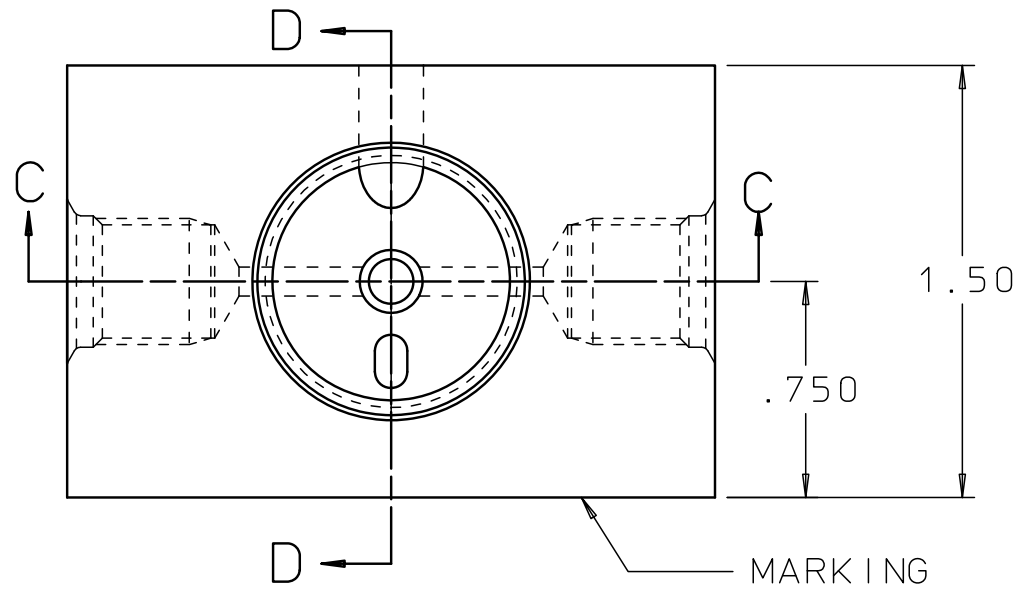


CUTA2180021A

REV	DATE	BY	DESCRIPTION
A	10-14-92	BR	INITIAL RELEASE
B	12-07-93	BR	CHANGED LOCATING HOLE TO SLOT
2	10-14-11	KD	(3X) AS5202-4 WAS MS33649-2.OBSOLETE INSPECTION REPORT
3	12-18-15	RF	ADDED THREAD CALLOUT
C	08-02-16	RF	CHANGED LOCATING PIN HOLE TO SLOT
D	07-11-18	RF	CHANGED LOCATING SLOT BACK TO HOLE 2.25 WAS 2.0

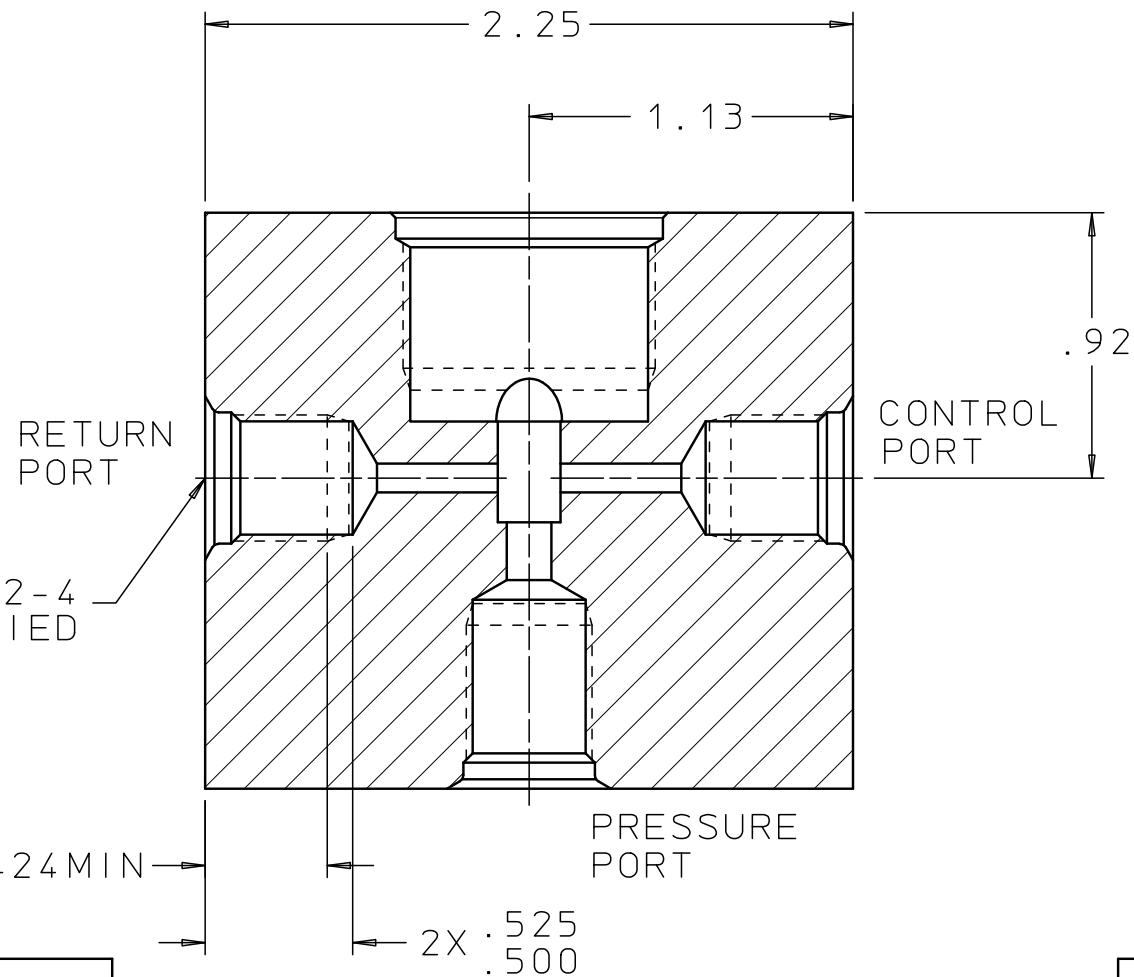


MARKING  
"LEE CUTA2180021A"

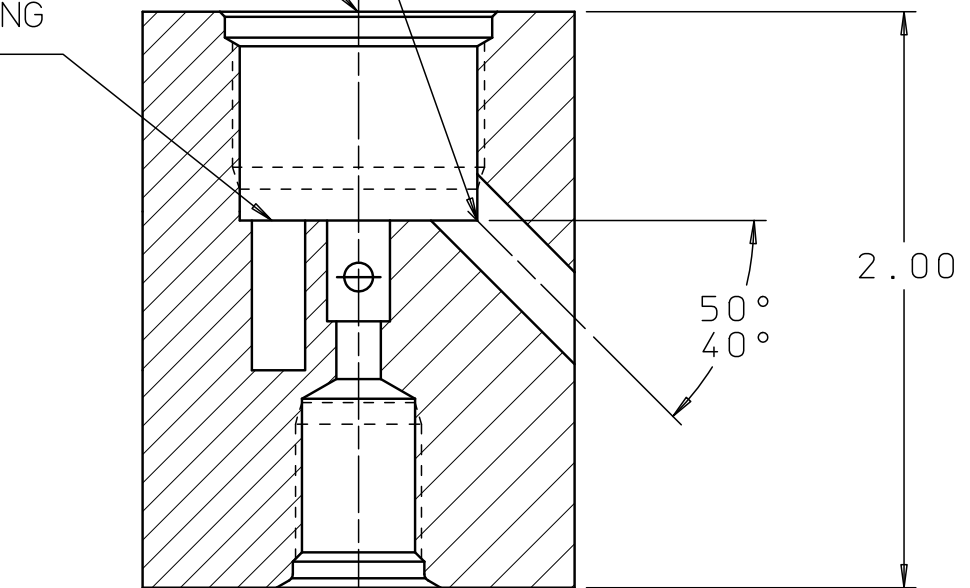
INSTALLATION HOLE FOR LEE  
DIRECT ACTING SINGLE COIL  
SOLENOID VALVE  
(.875-20 UNEF-3B)

LEAD WIRE  
PASSAGEWAY

LOCATING  
SLOT



SECTION C-C



SECTION D-D

**PROPRIETARY NOTICE**

This document contains confidential, trade secret information which is proprietary to The Lee Company, and is submitted upon the express condition that neither it, nor our products, will be used directly or indirectly in any way detrimental to the interests of The Lee Company, such as disclosure to others or replication of our products, and/or in violation of 18 U.S.C. 1905 (TSA), 5 U.S.C. 552 (FOIA), E.O.12600 of 6/23/87, 18 U.S.C. 1832, and C.G.S.A. (CT) Chapter 625 sec. 35-50 thru 35-58.

CUTD0407010  
REFERENCE

DWG NO.: CUTA2180021A	UNLESS OTHERWISE SPECIFIED	DRAWN BY: B R	10-15-92	TEST FIXTURE FOR LEE DIRECT ACTING SINGLE COIL SOLENOID VALVE			
	EXTERNAL CORNER RAD:	CHK'D BY: L B	11-24-92	<b>THE LEE COMPANY</b> WESTBROOK, CT 06498			
	INTERNAL FILLET RAD:	APP'D BY: B B	11-24-92				
	SURFACE FINISH ✓ ALL OVER	MAT: 2024-T351 ALUMINUM	H.T.:	FINISH: CLEAR ANODIZE	SIZE: B	CAGE CODE: 92555	DWG NO.: CUTA2180021A
DIMENSIONS ARE IN INCHES		TOLERANCES		DWG SCALE: NONE		SHEET 1 OF 1	
		2 PLACES ±.01					
		3 PLACES ±.003					
		ANGLES ±2°					