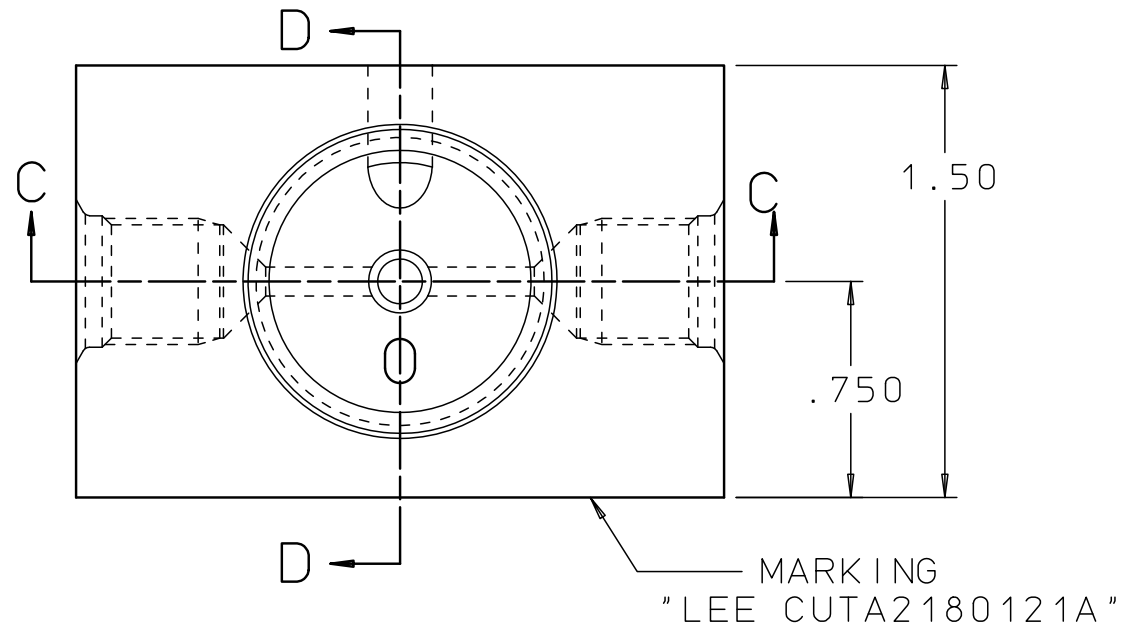
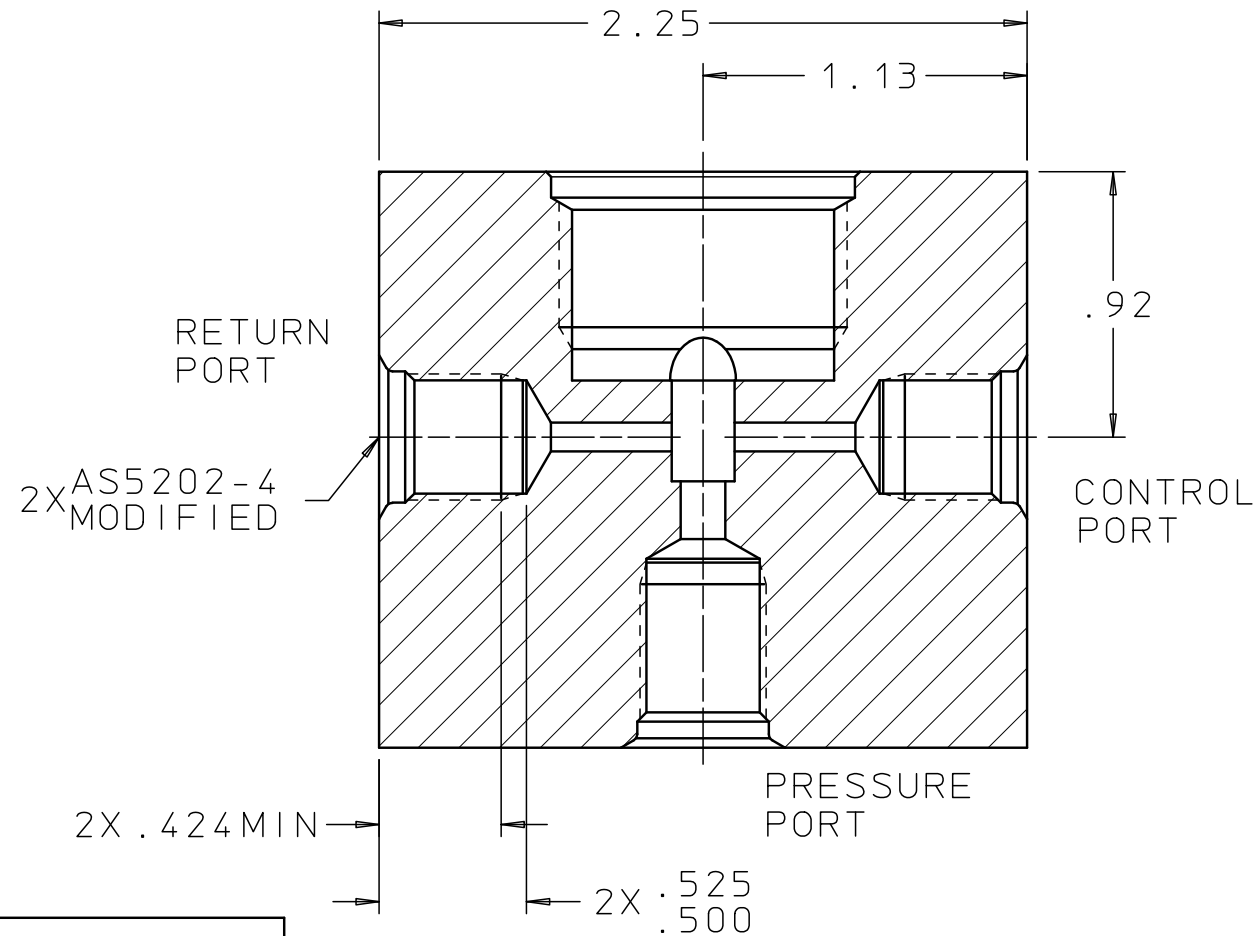


CUTA2180121A

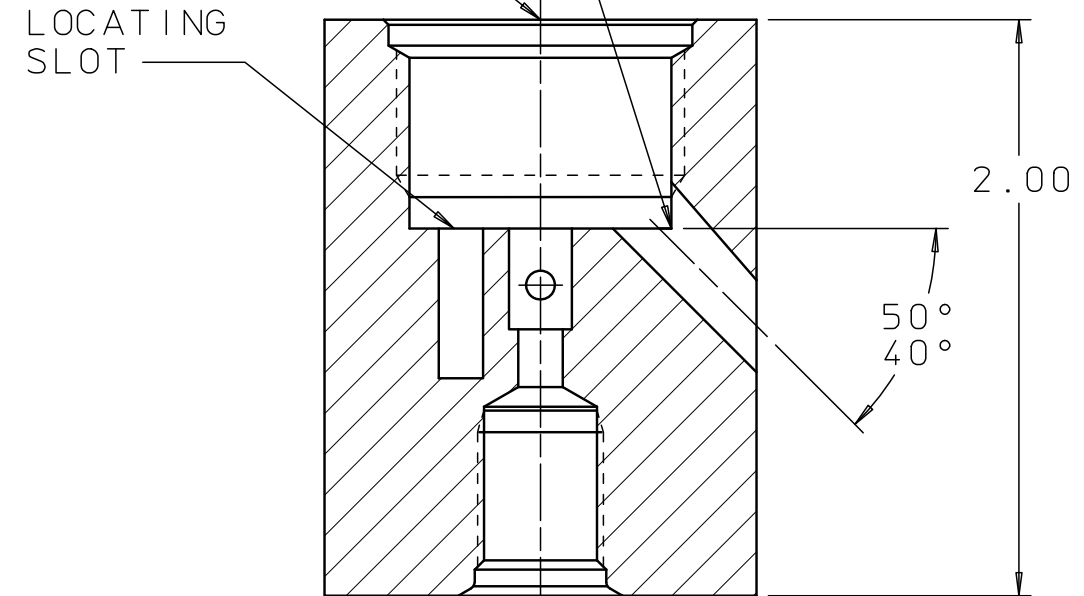
REV	DATE	BY	DESCRIPTION
A	03-28-94	BR	INITIAL RELEASE
2	12-18-15	RF	ADDED THREAD CALLOUT AS5202-4 WAS MS33649-4.



INSTALLATION HOLE FOR
LEE DIRECT ACTING DUAL
COIL SOLENOID VALVE
(1.00-12 UNF-3B)



SECTION C-C



SECTION D-D

PROPRIETARY ITEM

This document contains proprietary information and is submitted upon the express condition that the information contained herein will not be used directly or indirectly in any way detrimental to the interests of The Lee Company, and/or in violation of regulation DAR 7-104.9(a)(1 July 1974), et seq.

CUTD0407050

REFERENCE

DWG NO:
CUTA2180121A

NOTES AND DIMENSIONS SHOWN HERE ON ARE FOR INSPECTION IDENTIFICATION ONLY. ALL MANUFACTURING RIGHTS RESERVED.

EXTERNAL CORNER RAD:
INTERNAL FILLET RAD:

SURFACE FINISH ✓ ALL OVER
DIMENSIONS ARE IN INCHES

TOLERANCES
2 PLACES ±.015 3 PLACES ±.005 ANGLES ±5°

DRAWN BY: B R 03-28-94

CHK'D BY: R G 03-29-94

APPD BY: B B 03-29-94

MAT: 2024-T351
ALUMINUM

H.T.:

FINISH: CLEAR ANODIZE

TEST FIXTURE FOR LEE DIRECT ACTING DUAL COIL SOLENOID VALVE



THE LEE COMPANY
WESTBROOK, CT 06498

SIZE	CAGE CODE	DWG NO.	REV
B	92555	CUTA2180121A	A

DWG SCALE: NONE SHEET 1 OF 1