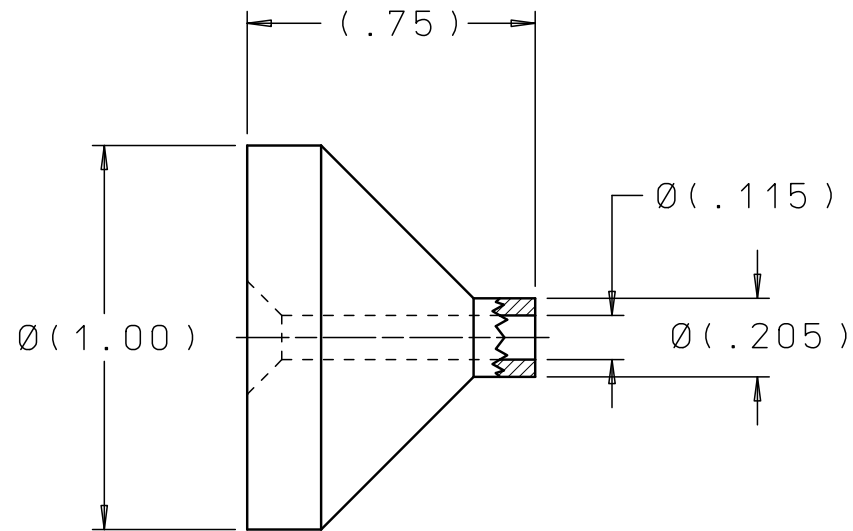
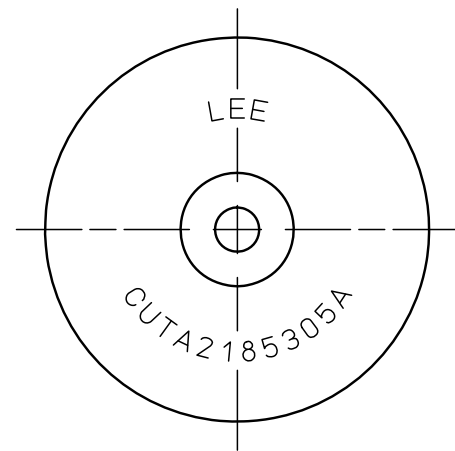
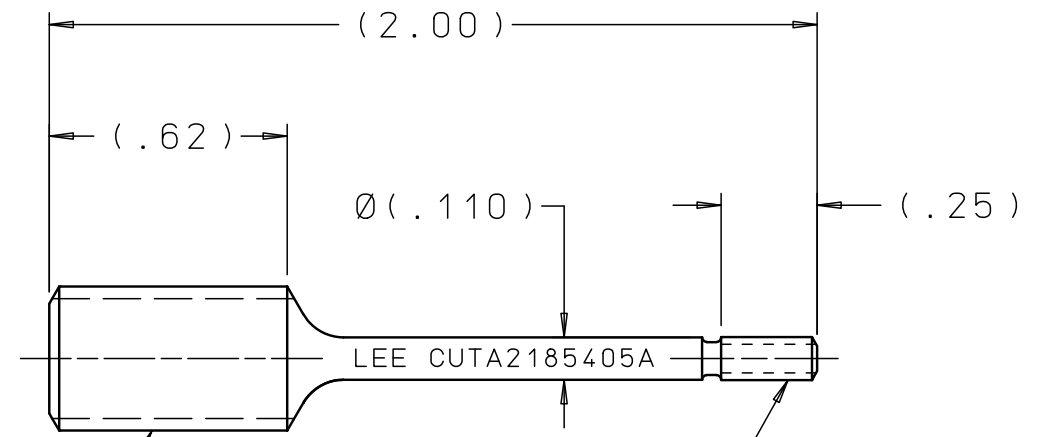


CUTA2185205A

REV	DATE	BY	DESCRIPTION
A	01-29-75	KMN	P/N WAS 21852
2	11-30-10	KD	REDRAWN TO CAD. ADDED MARKINGS.



PUSHER



.375-16 UNC-2A

.112-48 UNF-2A

STUD

PROPRIETARY ITEM

This document contains proprietary information and is submitted upon the express condition that the information contained herein will not be used directly or indirectly in any way detrimental to the interests of The Lee Company, and/or in violation of regulation DAR 7-104.9(a)(1 July 1974). et seq.

CUTD2185205
REFERENCE

DWG NO: CUTA2185205A	NOTES AND DIMENSIONS SHOWN HERE ON ARE FOR INSPECTION IDENTIFICATION ONLY. ALL MANUFACTURING RIGHTS RESERVED.	DRAWN BY: P S 02-05-68	TOOL SET-RFO HYD INSTAL TOOL	
	EXTERNAL CORNER RAD: INTERNAL FILLET RAD:	CHK'D BY: JFMc 02-08-68	THE LEE COMPANY WESTBROOK, CT 06498	
	SURFACE FINISH ✓ ALL OVER DIMENSIONS ARE IN INCHES	APP'D BY: EWL 02-09-68		
	TOLERANCES 2 PLACES ±.015 3 PLACES ±.005 ANGLES ±5°	MAT: H.T.: FINISH:	SIZE: B	CAGE CODE: 92555
DWG SCALE: NONE			SHEET 1 OF 1	