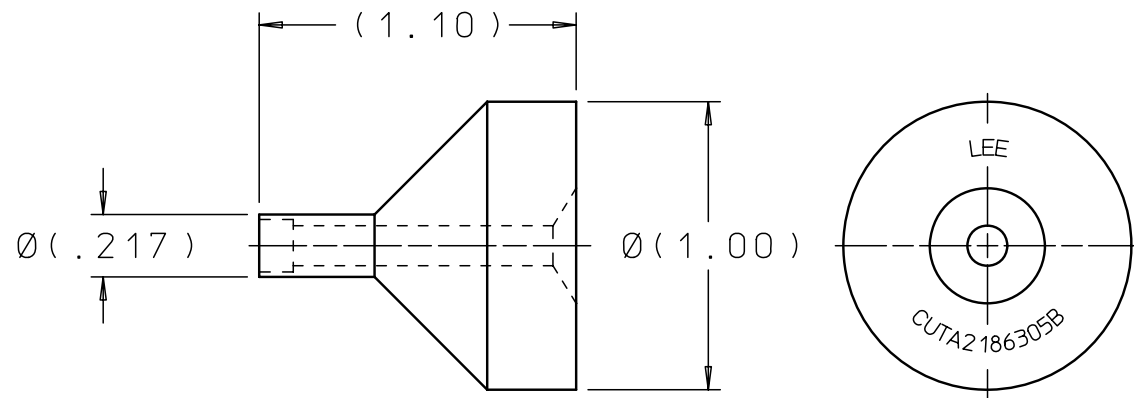
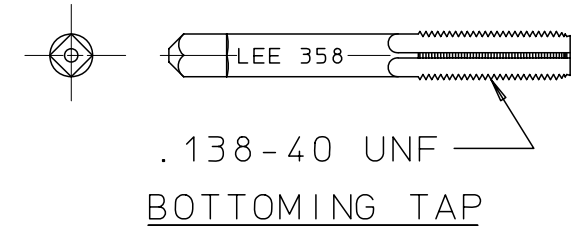
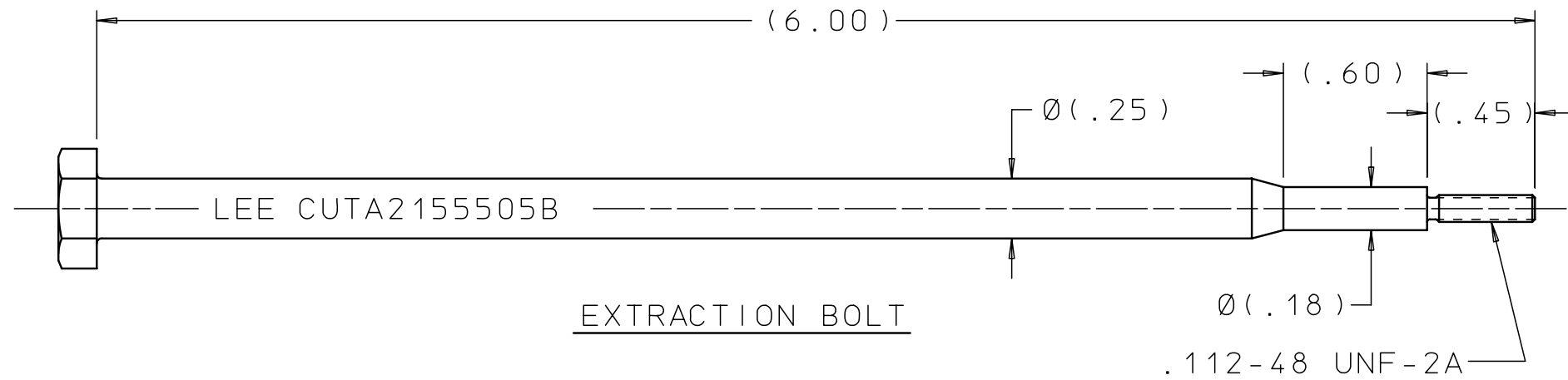
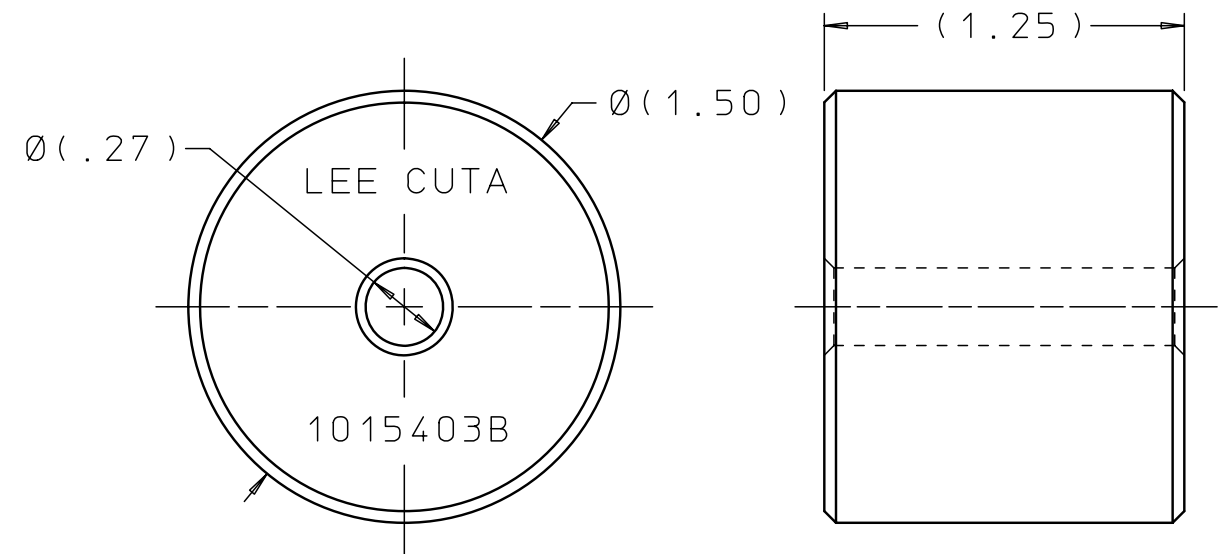


# CUTA2186205B

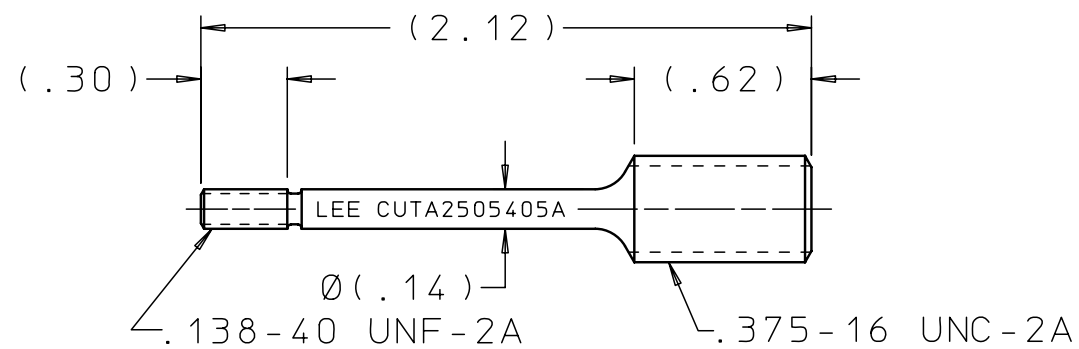
REV	DATE	BY	DESCRIPTION
A2	10-07-09	MC	DRAWN TO CAD



EXTRACTION SLEEVE



STRIKER



STUD

NOTES:

- FOR RFO PLUG EXTRACTION SEE THE LEE COMPANY PROCESS SPECIFICATION 203 SECTION IV.

PROPRIETARY ITEM

This document contains proprietary information and is submitted upon the express condition that the information contained herein will not be used directly or indirectly in any way detrimental to the interests of The Lee Company, and/or in violation of regulation DAR 7-104.9(a)(1 July 1974), et seq.

CUTD2186205  
REFERENCE

DWG NO: CUTA2186205B	NOTES AND DIMENSIONS SHOWN HERE ON ARE FOR INSPECTION IDENTIFICATION ONLY. ALL MANUFACTURING RIGHTS RESERVED.	DRAWN BY: DFW	10-05-82	LEE PLUG EXTRACTION SET RFO		
	EXTERNAL CORNER RAD: INTERNAL FILLET RAD:	CHK'D BY:		THE LEE COMPANY WESTBROOK, CT 06498		
	SURFACE FINISH ✓ ALL OVER DIMENSIONS ARE IN INCHES	APP'D BY: SEA	10-05-82	SIZE: B	CAGE CODE: 92555	DWG NO.: CUTA2186205B
	TOLERANCES 2 PLACES ±.015 3 PLACES ±.005 ANGLES ±5°	MAT:		FINISH:		REV: A
DWG SCALE: NONE			SHEET 1 OF 1			