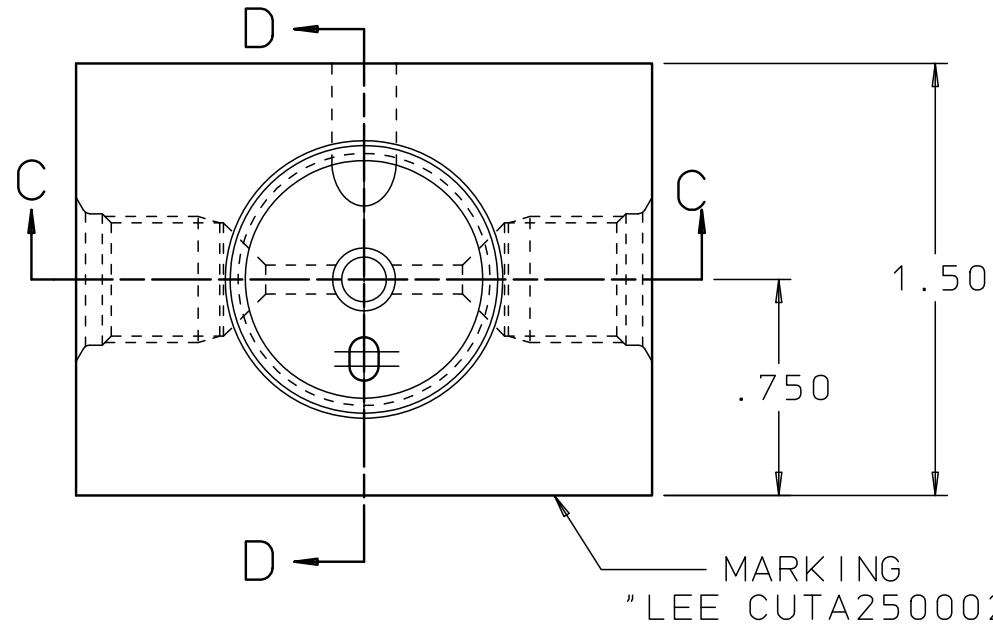


CUTA2500021A

REV	DATE	BY	DESCRIPTION
A	04-22-15	RF	INITIAL RELEASE



MARKING
"LEE CUTA2500021A"

INSTALLATION HOLE FOR
LEE DIRECT ACTING 250 SERIES
SOLENOID VALVE
(.875-20 UNEF-3B)

LEAD WIRE
PASSAGEWAY

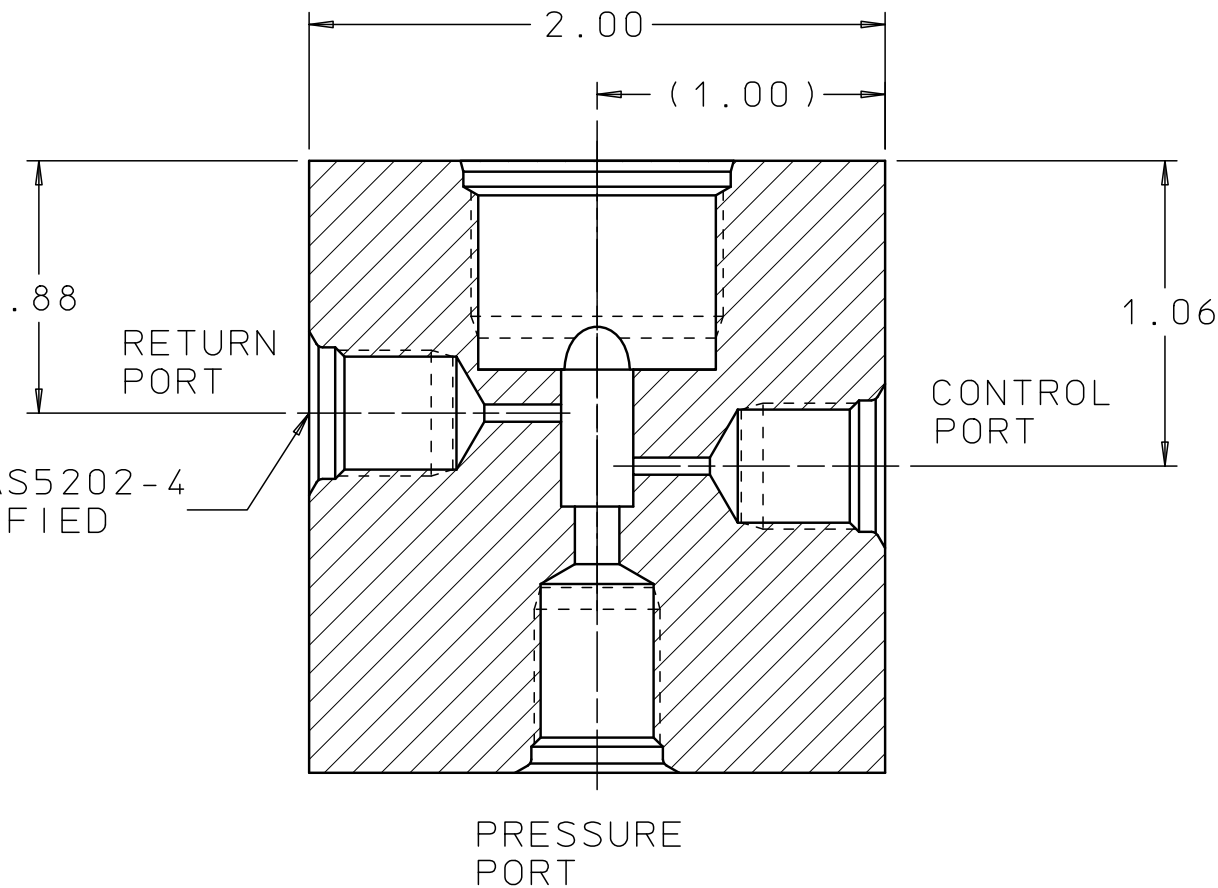
LOCATING
SLOT

50°
40°

2.13

AS5202-4

SECTION D-D



SECTION C-C

PROPRIETARY ITEM

This document contains proprietary information and is submitted upon the express condition that the information contained herein will not be used directly or indirectly in any way detrimental to the interests of The Lee Company, and/or in violation of regulation DAR 7-104.9(a)(1 July 1974), et seq.

CUTD2500021A
REFERENCE

DWG NO: CUTA2500021A	NOTES AND DIMENSIONS SHOWN HERE ON ARE FOR INSPECTION IDENTIFICATION ONLY. ALL MANUFACTURING RIGHTS RESERVED.	DRAWN BY: R F 04-22-15	TEST FIXTURE FOR SINGLE COIL DIRECT ACTING 250 SERIES SOLENOID VALVE		
	EXTERNAL CORNER RAD: INTERNAL FILLET RAD:	CHK'D BY: A S 06-04-15	THE LEE COMPANY WESTBROOK, CT 06498		
	SURFACE FINISH ✓ ALL OVER DIMENSIONS ARE IN INCHES	APP'D BY: B B 06-08-15	SIZE: B	CAGE CODE: 92555	DWG NO.: CUTA2500021A
	TOLERANCES 2 PLACES ±.015 3 PLACES ±.005 ANGLES ±5°	MAT: 2024-T351 ALUMINUM	DWG SCALE: NONE		REV: A
	H.T.:	FINISH: CLEAR ANODIZE		SHEET 1 OF 1	