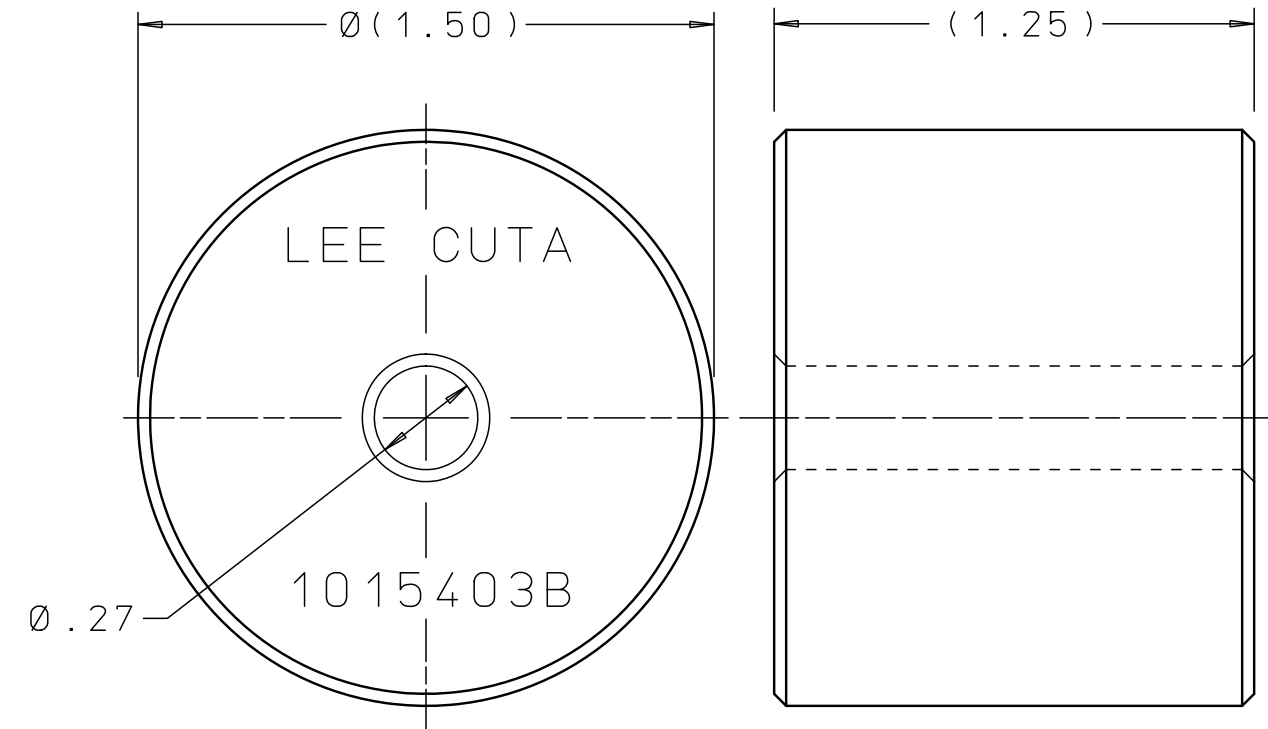
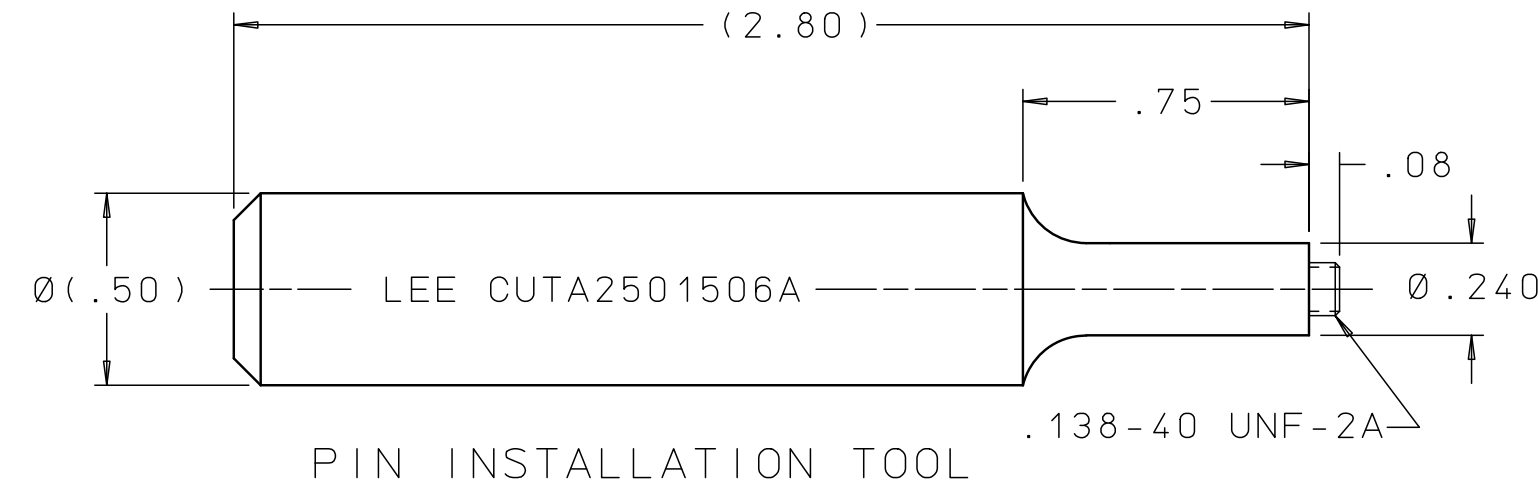
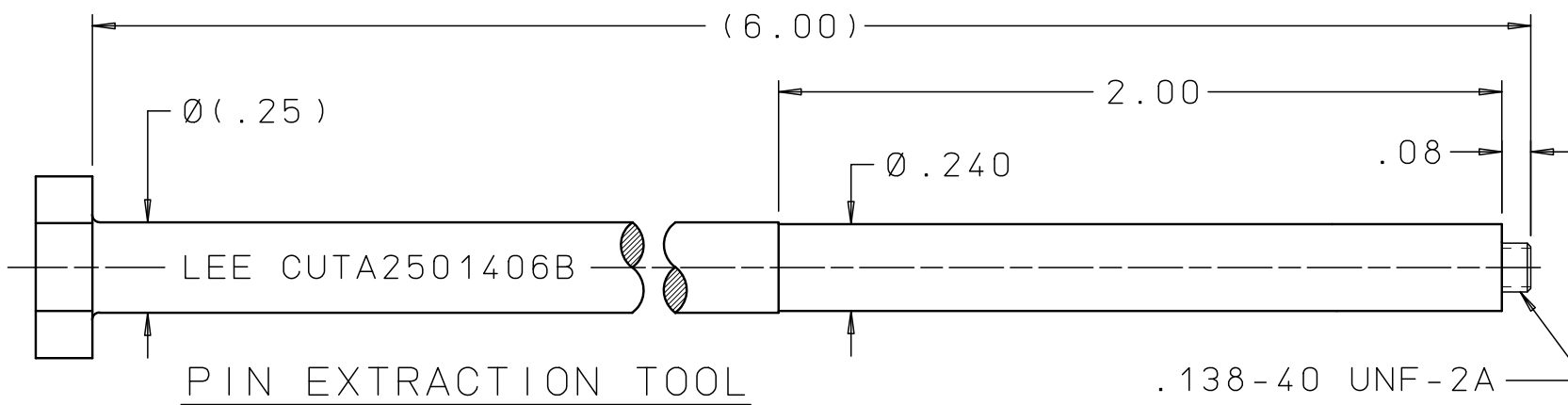
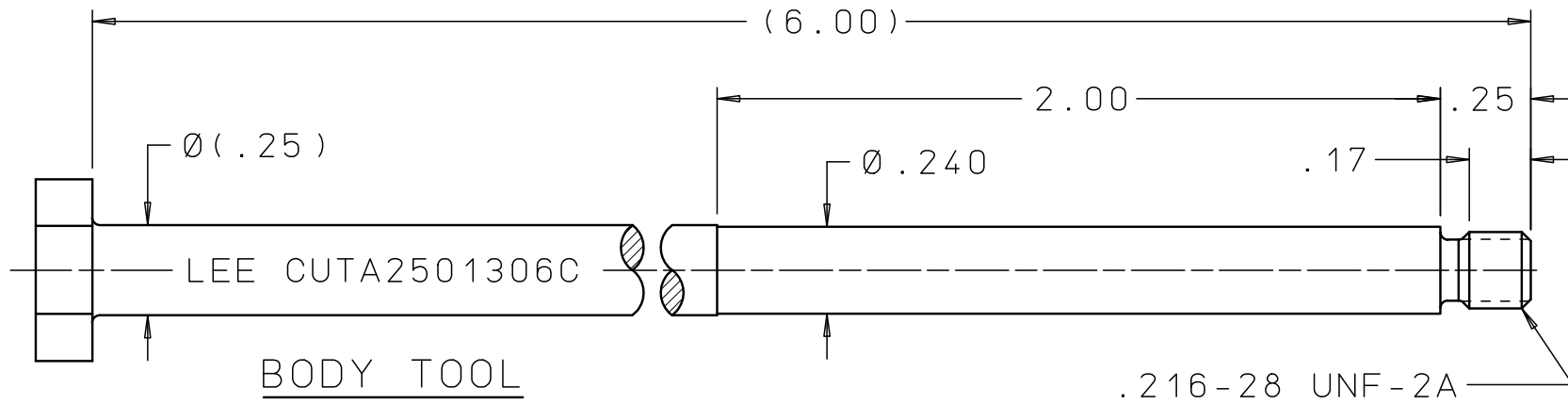


CUTA2500106C

REV	DATE	BY	DESCRIPTION
K2	05-05-10	KD	DELETED REV LETTERS FROM MARKINGS; BODY TOOL, PIN EXTRACTION TOOL, PIN INSTALLATION TOOL & STRIKER.
L	03-14-12	KD	BODY TOOL & PIN EXTR TOOL; REMOVED HEX, ADDED 2 FLATS.



INSTALLATION AND EXTRACTION SET FOR:

.250-.260 LEE CHEKS  
.250-.260 LEE AXIAL VISCO JETS

**PROPRIETARY ITEM**

This document contains proprietary information and is submitted upon the express condition that the information contained herein will not be used directly or indirectly in any way detrimental to the interests of The Lee Company, and/or in violation of regulation DAR 7-104.9(a)(1 July 1974). et seq.

CUTD0101150  
REFERENCE

DWG NO: CUTA2500106C

NOTES AND DIMENSIONS SHOWN HERE ON ARE FOR INSPECTION IDENTIFICATION ONLY. ALL MANUFACTURING RIGHTS RESERVED.

EXTERNAL CORNER RAD:  
INTERNAL FILLET RAD:

SURFACE FINISH ✓ ALL OVER  
DIMENSIONS ARE IN INCHES

TOLERANCES  
2 PLACES ±.015 3 PLACES ±.005 ANGLES ±5°

DRAWN BY: GUY 10-18-62

CHK'D BY: J B 04-09-84

APP'D BY: G L

MAT:

H.T.:

FINISH:

LEE TOOL SET  
INSTALLATION AND EXTRACTION



THE LEE COMPANY  
WESTBROOK, CT 06498

SIZE	CAGE CODE	DWG NO.	REV
B	92555	CUTA2500106C	L

DWG SCALE: NONE SHEET 1 OF 1