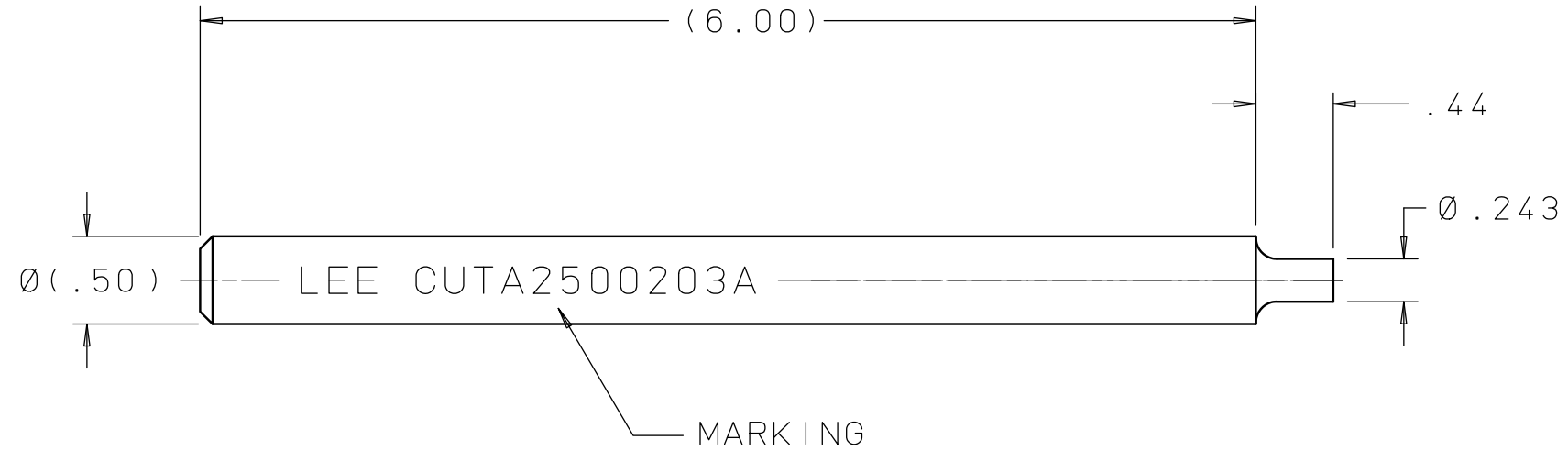


CUTA2500203A

| REV | DATE | BY | DESCRIPTION |
|-----|----------|-----|---------------------------------|
| A | 03-09-89 | S E | INITIAL RELEASE |
| 2 | 12-13-91 | GMR | MARKING WAS CUTA2500203A |
| 3 | 06-24-93 | BR | MARKING WAS CUTA2500203AA |
| 4 | 07-29-10 | KD | .44 WAS (.44) & Ø(.50) WAS Ø.50 |



PROPRIETARY ITEM

This document contains proprietary information and is submitted upon the express condition that the information contained herein will not be used directly or indirectly in any way detrimental to the interests of The Lee Company, and/or in violation of regulation DAR 7-104.9(a)(1 July 1974), et seq.

CUTD2500203
REFERENCE

| | | | | | | |
|--|---|---------|-----------------|-----------------|---|-----------------------|
| DWG NO: CUTA2500203A | NOTES AND DIMENSIONS SHOWN HERE ON ARE FOR INSPECTION IDENTIFICATION ONLY. ALL MANUFACTURING RIGHTS RESERVED. | | DRAWN BY: S E | 03-09-89 | LEE PIN INSTALLATION TOOL, .250 | |
| | | | CHK'D BY: B M | 06-17-89 | | |
| | EXTERNAL CORNER RAD: INTERNAL FILLET RAD: | | APPD BY: JCD | 06-22-89 | THE LEE COMPANY WESTBROOK, CT 06498 | |
| | SURFACE FINISH ✓ ALL OVER DIMENSIONS ARE IN INCHES | | MAT: TOOL STEEL | | | |
| TOLERANCES 2 PLACES ±.015 3 PLACES ±.005 ANGLES ±5° | | H.T.: | | SIZE: B | CAGE CODE: 92555 | DWG NO.: CUTA2500203A |
| | | FINISH: | | DWG SCALE: NONE | | REV: A |
| | | | | | | SHEET 1 OF 1 |