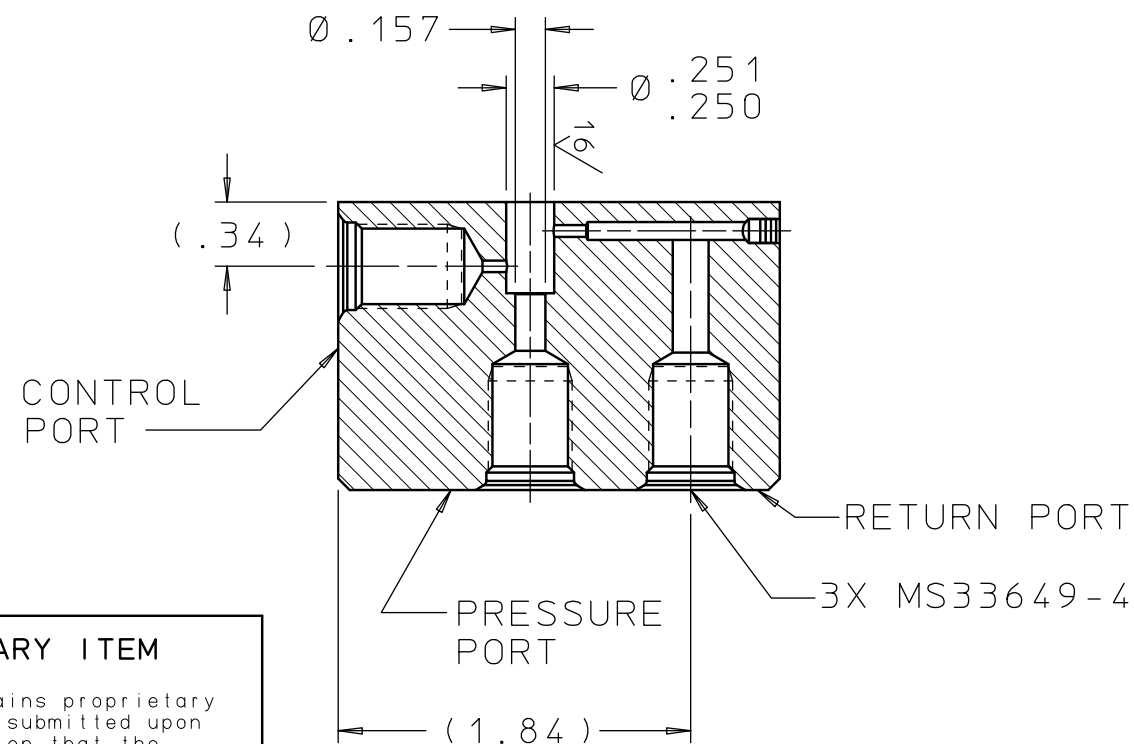
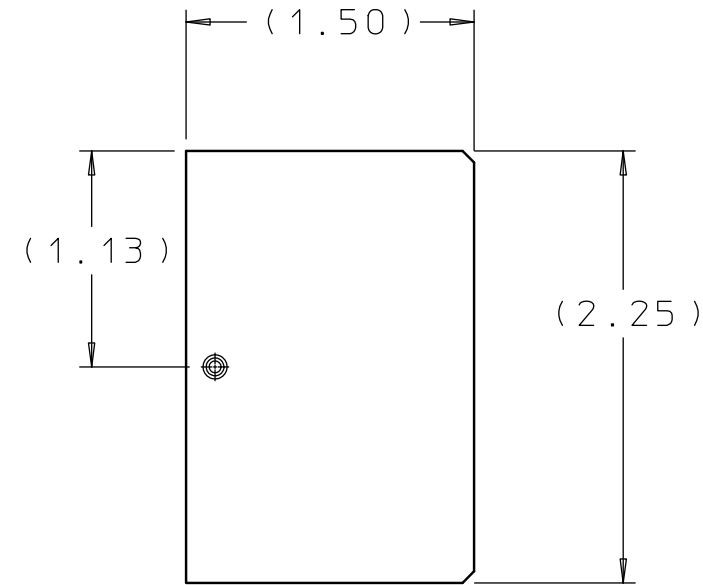
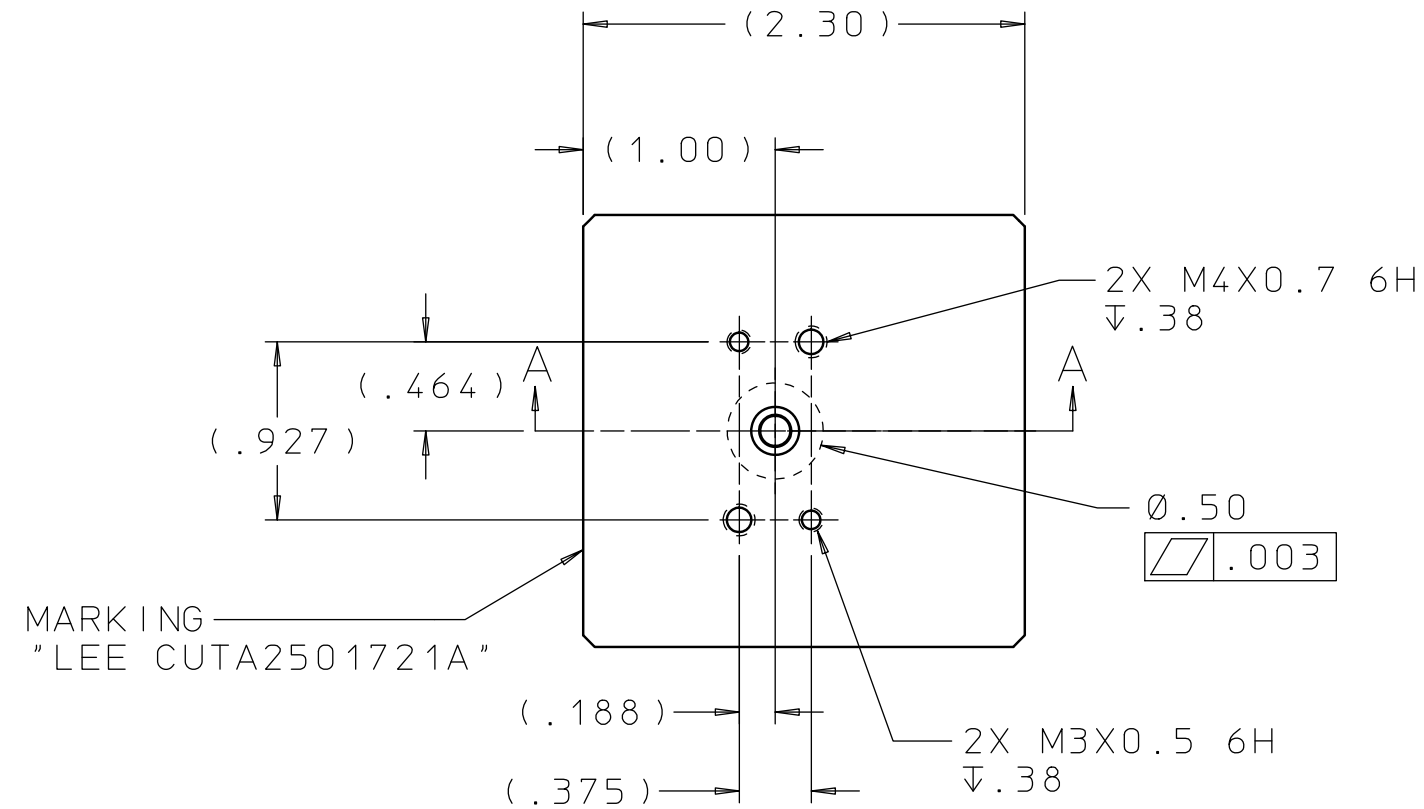


# CUTA2501721A

REV	DATE	BY	DESCRIPTION
A	12-10-07	KD	INITIAL RELEASE PART# WAS CUTA2501706A.



- NOTES:
- SECURE PART NUMBER USING 18-8 SS SOCKET HEAD SCREWS: USE (2) M3 X 0.5 X 55 OR (2) M4 X 0.7 X 55. MINIMUM THREAD ENGAGEMENT .260 .
  - REF: TORQUE SCREWS TO 25 IN-LBS.

## PROPRIETARY ITEM

This document contains proprietary information and is submitted upon the express condition that the information contained herein will not be used directly or indirectly in any way detrimental to the interests of The Lee Company, and/or in violation of regulation DAR 7-104.9(a)(1 July 1974), et seq.

## SECTION A-A

CUTD2501721

REFERENCE

DWG NO: CUTA2501721A	NOTES AND DIMENSIONS SHOWN HERE ON ARE FOR INSPECTION IDENTIFICATION ONLY. ALL MANUFACTURING RIGHTS RESERVED.	DRAWN BY: K D	12-10-07	TEST BLOCK FOR 250 SERIES SOV	
	EXTERNAL CORNER RAD: .005 MAX INTERNAL FILLET RAD: .005 MAX	CHK'D BY: DEP	12-10-07	<b>THE LEE COMPANY</b> WESTBROOK, CT 06498	
	SURFACE FINISH $\sqrt{63}$ ALL OVER DIMENSIONS ARE IN INCHES	APP'D BY: B B	12-19-07		
	TOLERANCES 2 PLACES $\pm .015$ 3 PLACES $\pm .005$ ANGLES $\pm 5^\circ$	MAT: 300 SERIES CRES	H.T.:	FINISH: PASSIVATE/ ASTM A967	SIZE: <b>B</b>
				DWG NO.: CUTA2501721A	REV: <b>A</b>
				DWG SCALE: NONE    SHEET 1 OF 1	