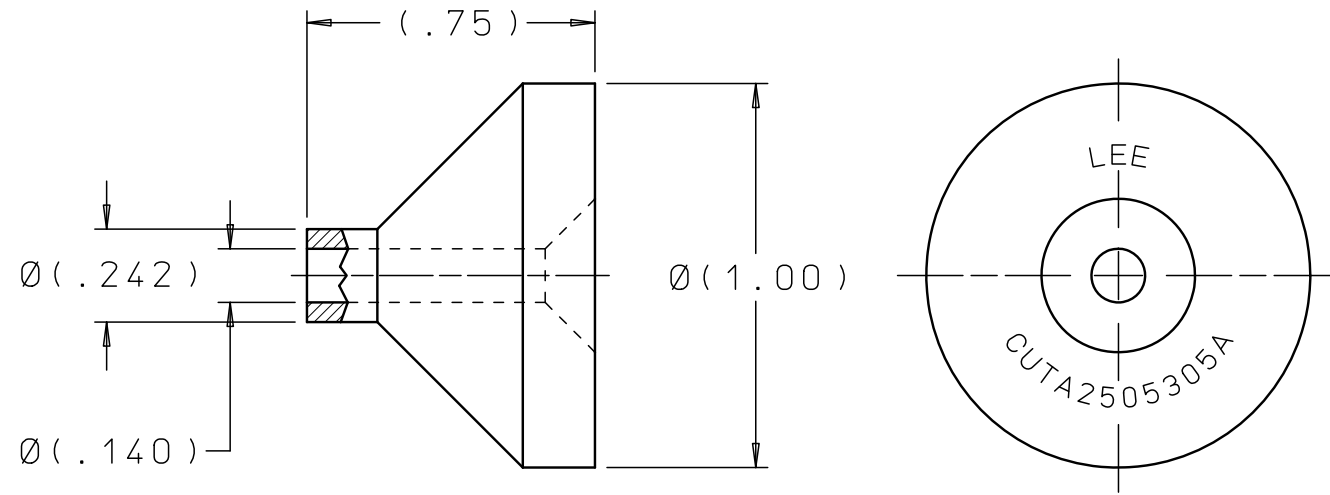
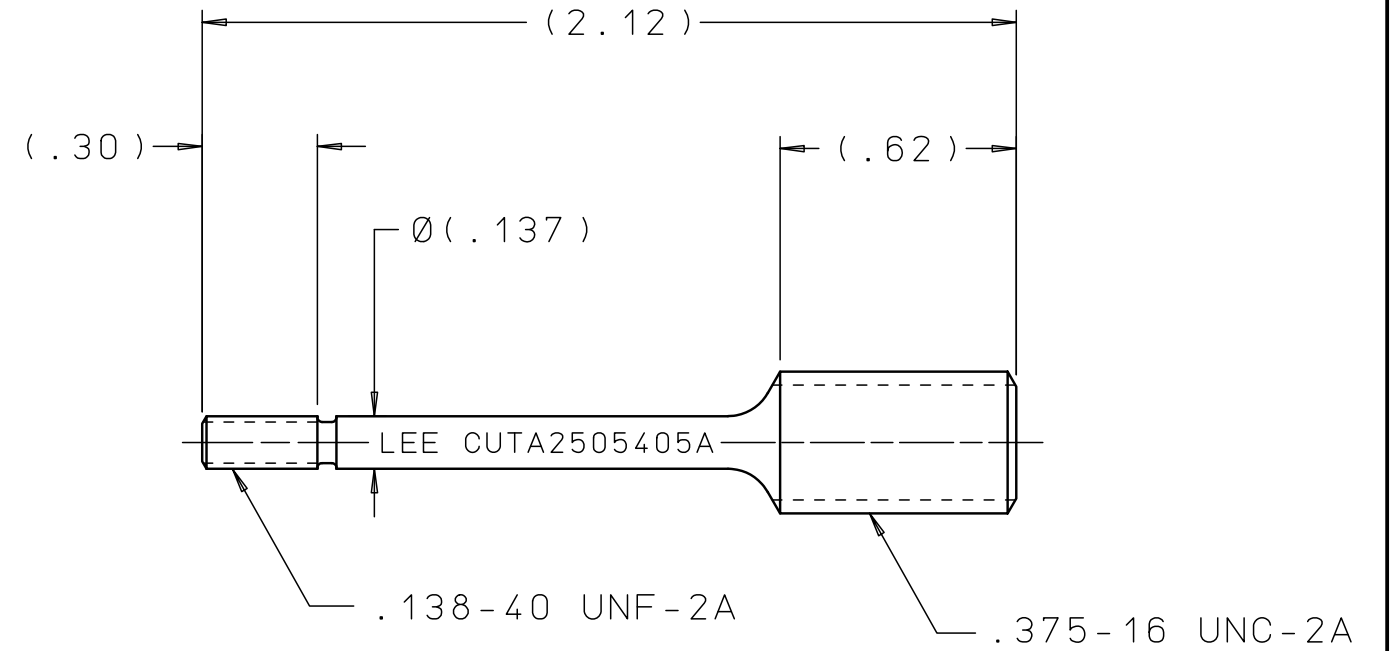


CUTA2505205A

REV	DATE	BY	DESCRIPTION
A	01-28-75	KMN	P/N WAS 75052
2	11-05-10	KD	REDRAWN TO CAD. ADDED MARKINGS.



PUSHER



STUD

PROPRIETARY ITEM

This document contains proprietary information and is submitted upon the express condition that the information contained herein will not be used directly or indirectly in any way detrimental to the interests of The Lee Company, and/or in violation of regulation DAR 7-104.9(a)(1 July 1974). et seq.

CUTD2505205
REFERENCE

DWG NO: CUTA2505205A	NOTES AND DIMENSIONS SHOWN HERE ON ARE FOR INSPECTION IDENTIFICATION ONLY. ALL MANUFACTURING RIGHTS RESERVED.	DRAWN BY: P S	02-05-68	TOOL SET-RFO HYD INSTAL TOOL		
	EXTERNAL CORNER RAD: INTERNAL FILLET RAD:	CHK'D BY: JFMc	02-08-68			
	SURFACE FINISH ✓ ALL OVER DIMENSIONS ARE IN INCHES	APP'D BY: EWL	02-09-68	THE LEE COMPANY WESTBROOK, CT 06498		
		TOLERANCES 2 PLACES ±.015 3 PLACES ±.005 ANGLES ±5°	MAT:			
	H.T.:		SIZE	CAGE CODE	DWG NO.	REV
	FINISH:		B	92555	CUTA2505205A	A
				DWG SCALE: NONE		SHEET 1 OF 1