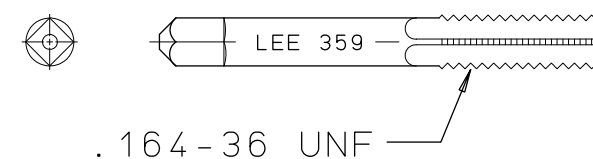
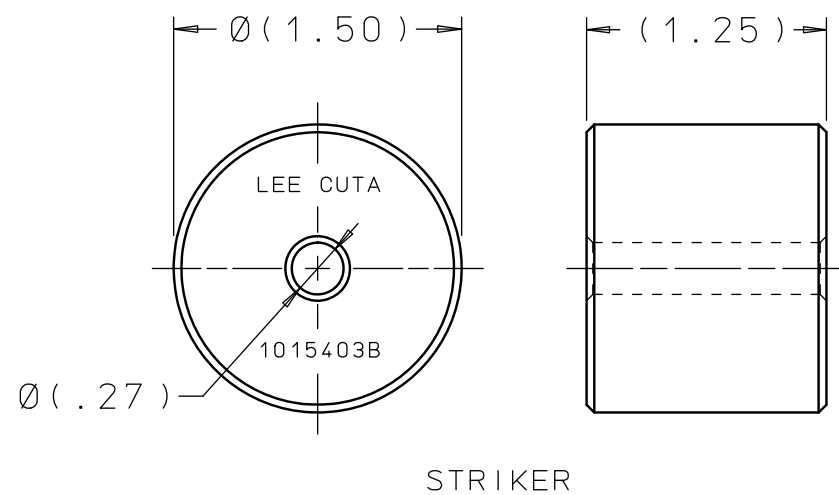
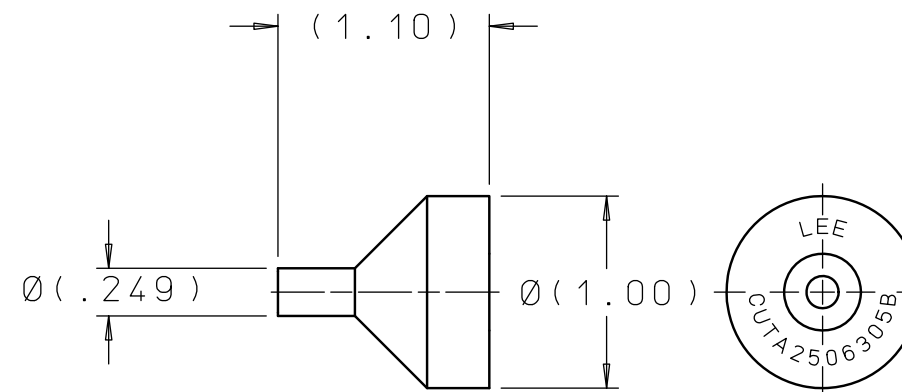
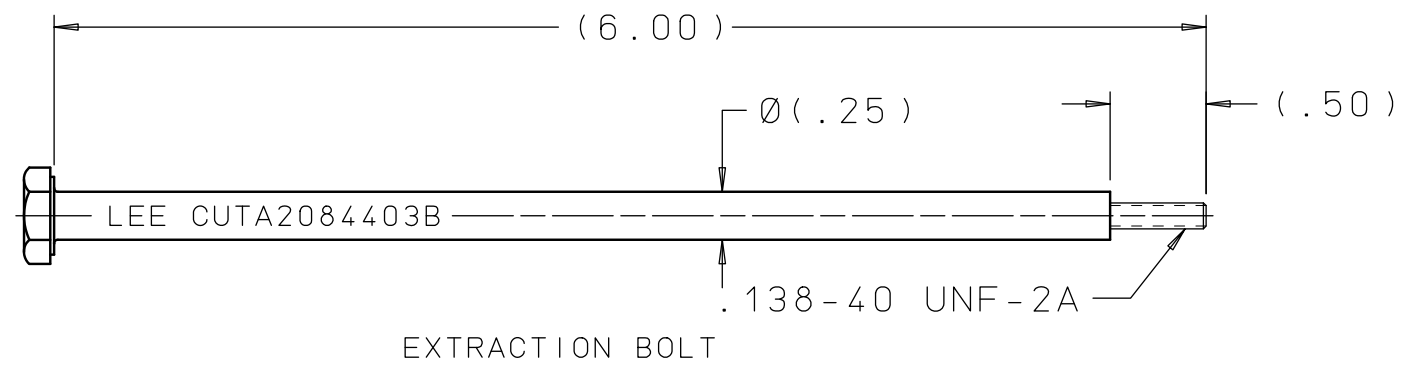
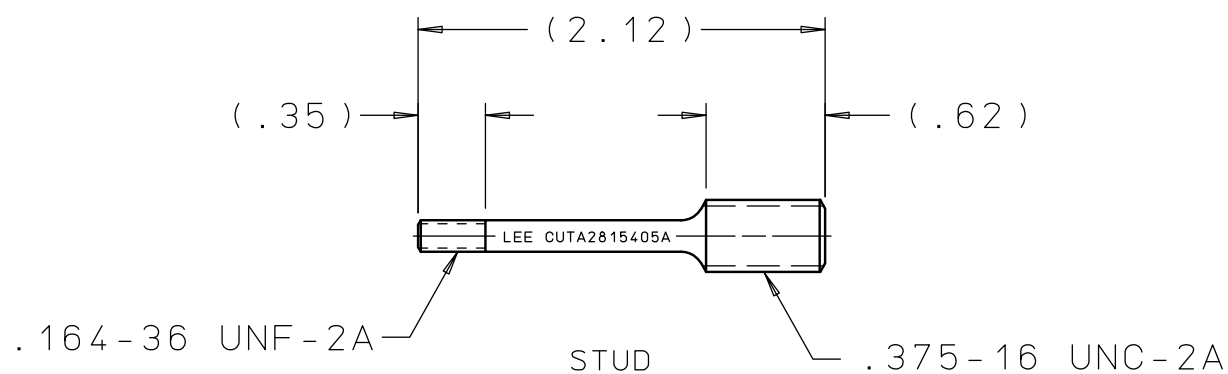


# CUTA2506205B

REV	DATE	BY	DESCRIPTION
A	10-05-82	FW	INITIAL RELEASE
2	10-07-09	KD	UPDATED TO CAD.



BOTTOMING TAP  
PLUG EXTRACTION  
CUTA3595503B



FOR RFO EXTRACTION SEE  
THE LEE COMPANY PROCESS SPECIFICATION  
203 SECTION IV.

## PROPRIETARY ITEM

This document contains proprietary information and is submitted upon the express condition that the information contained herein will not be used directly or indirectly in any way detrimental to the interests of The Lee Company, and/or in violation of regulation DAR 7-104.9(a)(1 July 1974), et seq.

CUTD2506205  
REFERENCE

DWG NO: CUTA2506205B

NOTES AND DIMENSIONS SHOWN HERE ON ARE FOR INSPECTION IDENTIFICATION ONLY. ALL MANUFACTURING RIGHTS RESERVED.

EXTERNAL CORNER RAD:  
INTERNAL FILLET RAD:

SURFACE FINISH  $\checkmark$  ALL OVER  
DIMENSIONS ARE IN INCHES

TOLERANCES  
2 PLACES  $\pm .015$  3 PLACES  $\pm .005$  ANGLES  $\pm 5^\circ$

DRAWN BY: DFW 10-05-82  
CHK'D BY: RJG 03-30-83  
APP'D BY: SEA 04-04-83

MAT:

H.T.:

FINISH:

LEE TOOL,  
RFO PLUG EXTRACTION SET



THE LEE COMPANY  
WESTBROOK, CT 06498

SIZE	CAGE CODE	DWG NO.	REV
B	92555	CUTA2506205B	A

DWG SCALE: NONE

SHEET 1 OF 1