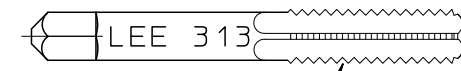
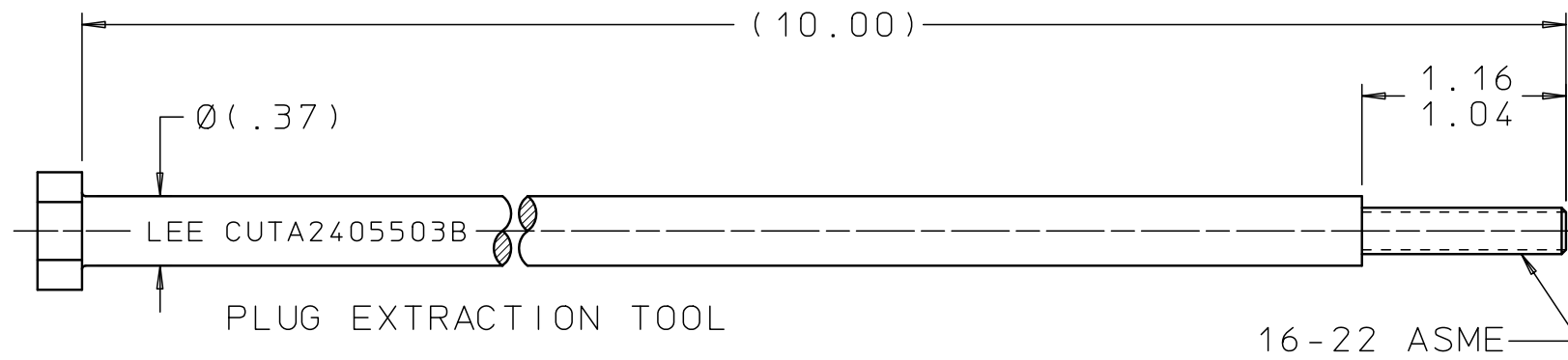
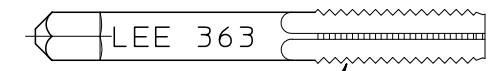


CUTA2810103B

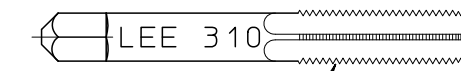
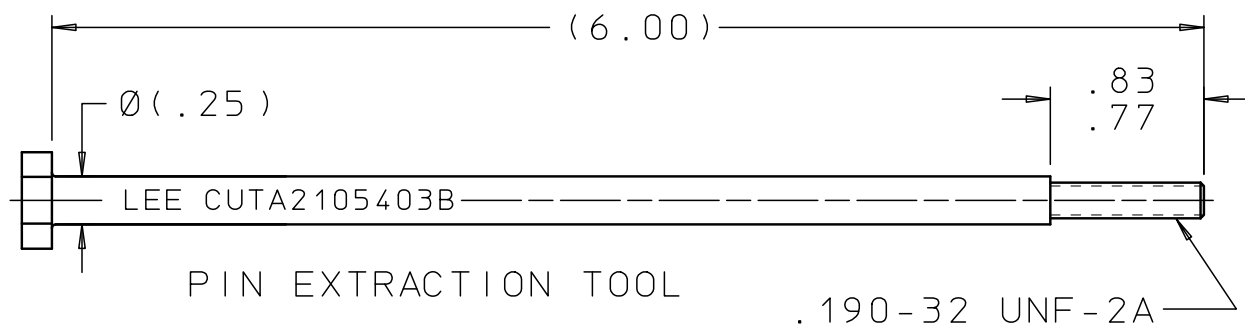
REV	DATE	BY	DESCRIPTION
A4	06-12-97	BR	REDRAWN TO CAD
B	01-10-13	KD	PLUG EXTR TOOL ; REMOVED HEX, ADDED 2 FLATS. 1.16-1.04 WAS 1.175-1.025, Ø(.37) WAS Ø(.375). PIN EXTR TOOL ; REMOVED HEX, ADDED 2 FLATS. STRIKER PIN Ø(1.50) WAS Ø1.50 & (1.25) WAS 1.25. STRIKER, PLUG ; (1.38) WAS 1.38 & Ø(2.00) WAS Ø2.00.



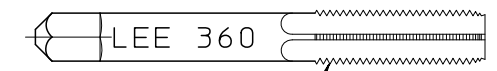
#16-22 ASME
STARTER TAP
PLUG EXTRACTION
CUTA3135503B



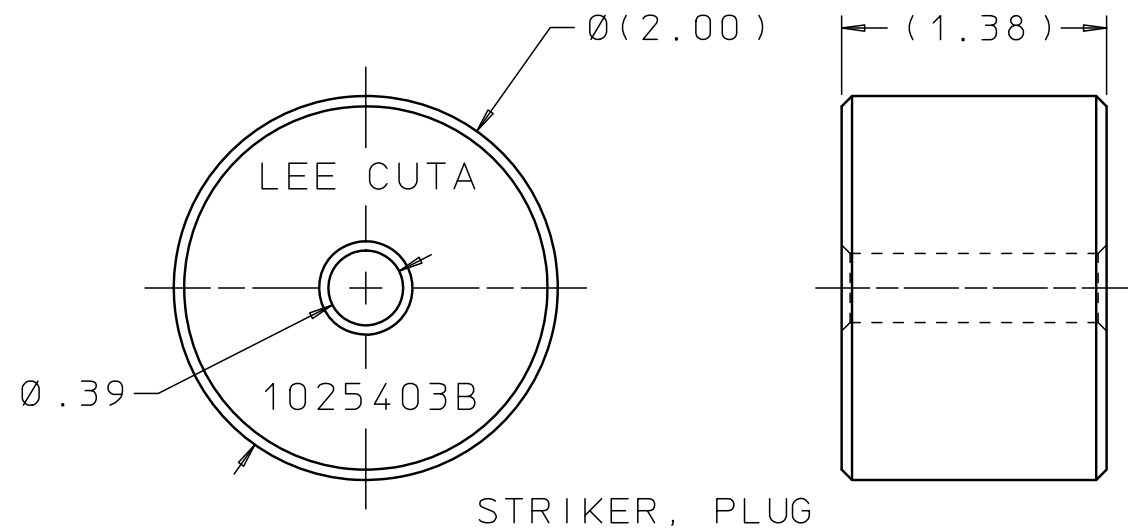
#16-22 ASME
BOTTOMING TAP
PLUG EXTRACTION
CUTA3635503B



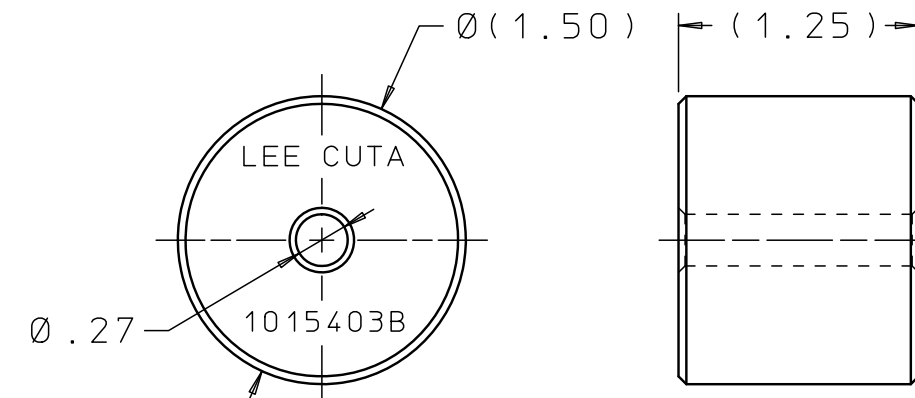
.190-32 UNF
STARTER TAP
PIN EXTRACTION
CUTA3105403B



.190-32 UNF
BOTTOMING TAP
PIN EXTRACTION
CUTA3605403B



STRIKER, PLUG



STRIKER, PIN

PROPRIETARY ITEM

This document contains proprietary information and is submitted upon the express condition that the information contained herein will not be used directly or indirectly in any way detrimental to the interests of The Lee Company, and/or in violation of regulation DAR 7-104.9(a)(1 July 1974), et seq.

CUTD2810103

REFERENCE

DWG NO: CUTA2810103B

NOTES AND DIMENSIONS SHOWN HERE ON ARE FOR INSPECTION IDENTIFICATION ONLY. ALL MANUFACTURING RIGHTS RESERVED.

EXTERNAL CORNER RAD:
INTERNAL FILLET RAD:

SURFACE FINISH ✓ ALL OVER
DIMENSIONS ARE IN INCHES

TOLERANCES
2 PLACES ±.015 3 PLACES ±.005 ANGLES ±5°

DRAWN BY: KMS 08-11-76

CHK'D BY: ECB 08-12-76

APP'D BY: G L 08-16-76

MAT:

H.T.:

FINISH:

LEE TOOL SET EXTRACTION



THE LEE COMPANY
WESTBROOK, CT 06498

SIZE	CAGE CODE	DWG NO.	REV
B	92555	CUTA2810103B	B

DWG SCALE: NONE

SHEET 1 OF 1