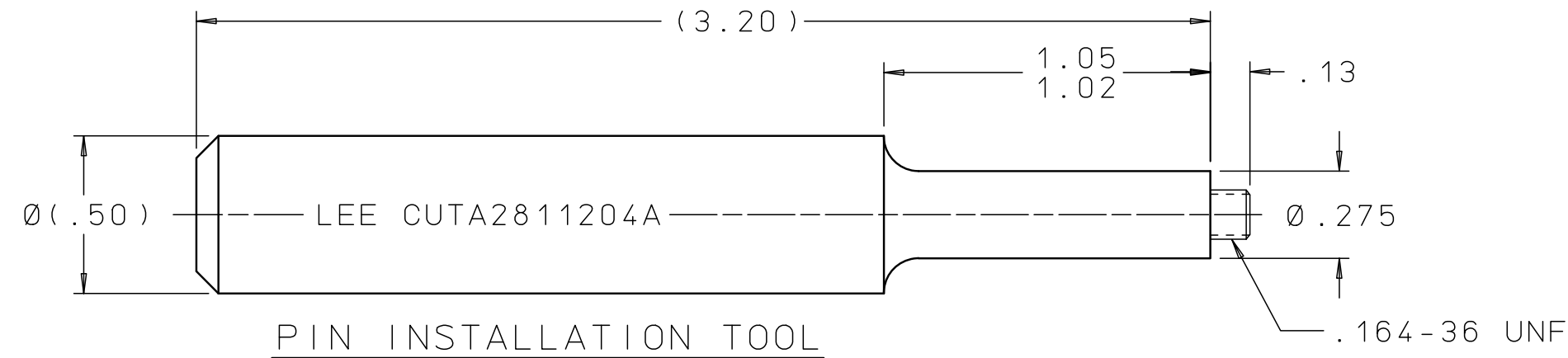
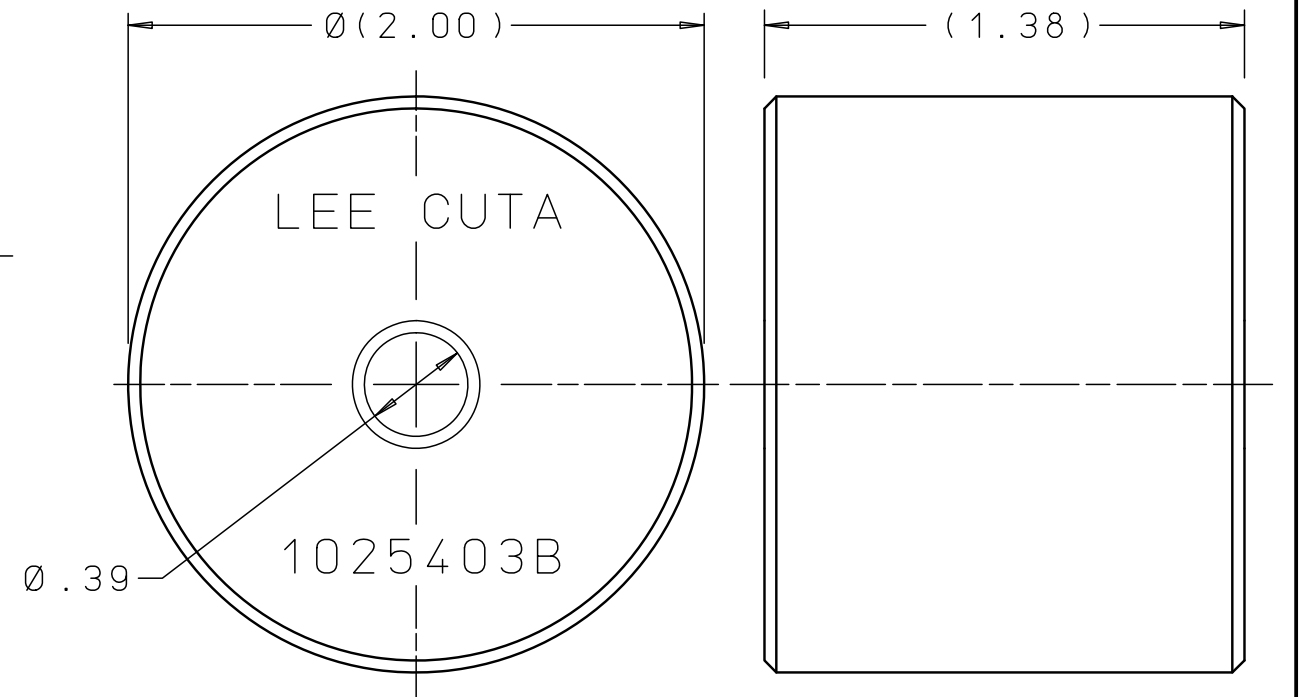
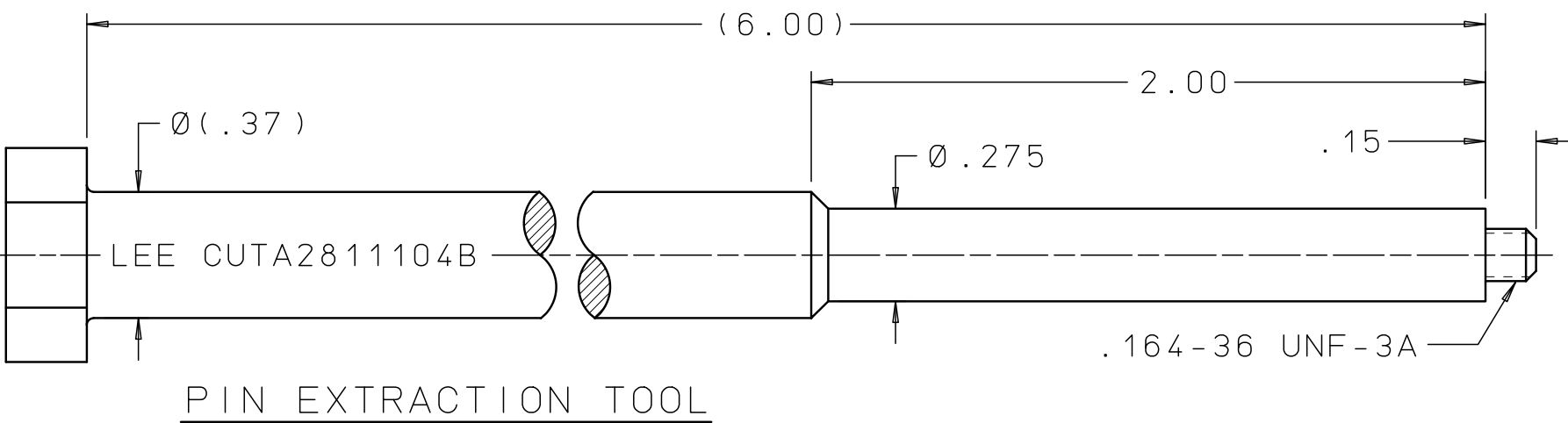
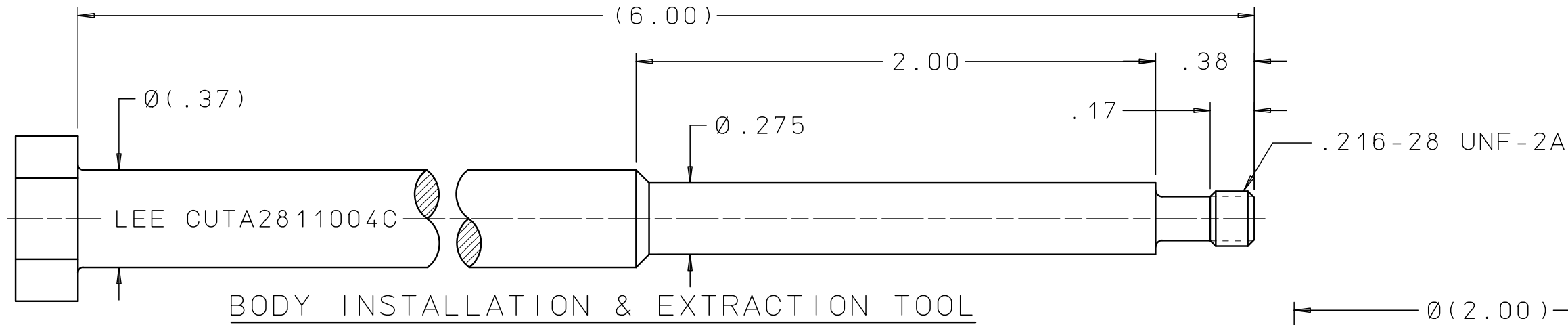


CUTA2810104C

REV	DATE	BY	DESCRIPTION
A	07-10-91	GMR	INITIAL RELEASE
2	05-06-10	KD	DELETED REV LETTERS FROM MARKINGS; BODY TOOL, PIN EXTRACTION TOOL & STRIKER.
B	02-20-12	KD	BODY INST & EXTR TOOL; REMOVED HEX. ADDED 2 FLATS. PIN EXTR TOOL; REMOVED HEX. ADDED 2 FLATS.



INSTALLATION AND EXTRACTION SET FOR:
LEE .281/.291 KILOWATT JET

PROPRIETARY ITEM

This document contains proprietary information and is submitted upon the express condition that the information contained herein will not be used directly or indirectly in any way detrimental to the interests of The Lee Company, and/or in violation of regulation DAR 7-104.9(a)(1 July 1974), et seq.

CUTD0105200
REFERENCE

DWG NO: CUTA2810104C	NOTES AND DIMENSIONS SHOWN HERE ON ARE FOR INSPECTION IDENTIFICATION ONLY. ALL MANUFACTURING RIGHTS RESERVED.	DRAWN BY: GMR	07-10-91	LEE TOOL SET	
	EXTERNAL CORNER RAD: INTERNAL FILLET RAD:	CHK'D BY: P C	07-17-91	INSTALLATION AND EXTRACTION	
	SURFACE FINISH ✓ ALL OVER DIMENSIONS ARE IN INCHES	APP'D BY: JCD	07-17-91	THE LEE COMPANY	
	TOLERANCES 2 PLACES ±.015 3 PLACES ±.005 ANGLES ±5°	MAT:		WESTBROOK, CT 06498	
	H.T.:		SIZE B	CAGE CODE 92555	DWG NO. CUTA2810104C
	FINISH:		DWG SCALE: NONE		REV B
			SHEET 1 OF 1		