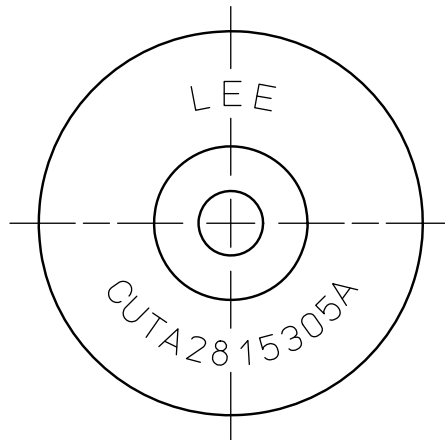
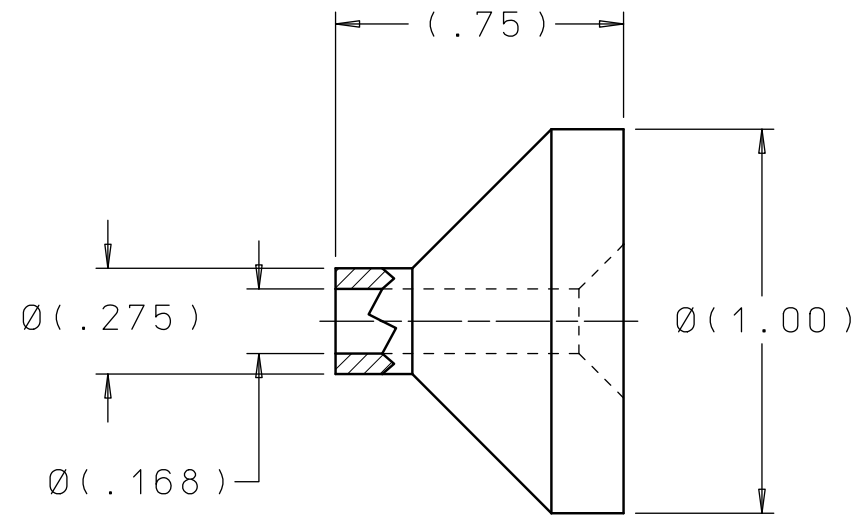
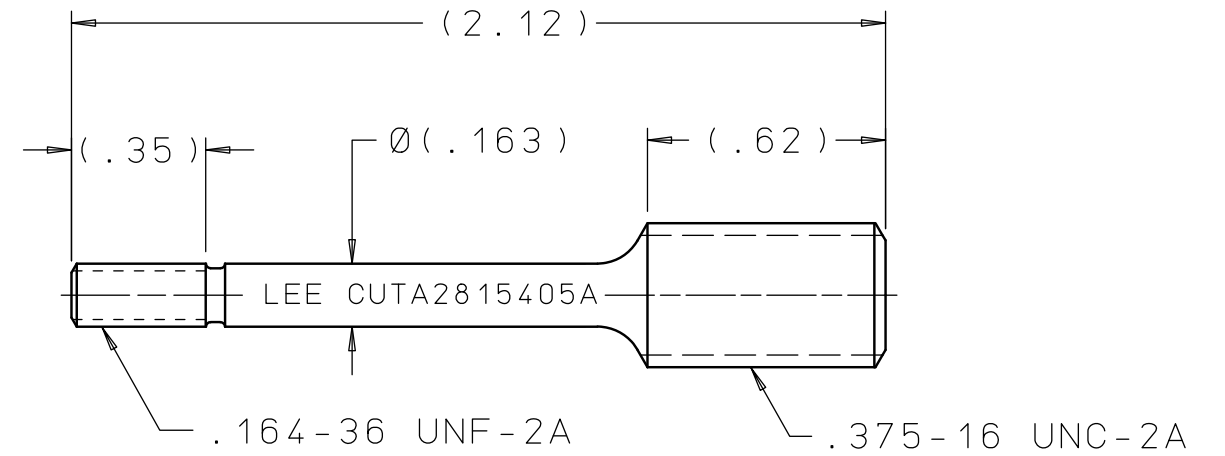


CUTA2815205A

REV	DATE	BY	DESCRIPTION
A2	06-24-10	KD	DRAWN TO CAD.



PUSHER



STUD

**PROPRIETARY ITEM**

This document contains proprietary information and is submitted upon the express condition that the information contained herein will not be used directly or indirectly in any way detrimental to the interests of The Lee Company, and/or in violation of regulation DAR 7-104.9(a)(1 July 1974). et seq.

CUTD2815205
REFERENCE

DWG NO: CUTA2815205A	NOTES AND DIMENSIONS SHOWN HERE ON ARE FOR INSPECTION IDENTIFICATION ONLY. ALL MANUFACTURING RIGHTS RESERVED.	DRAWN BY: P S 02-05-68	TOOL SET		
	EXTERNAL CORNER RAD: INTERNAL FILLET RAD:	CHK'D BY: J S 02-08-68	RFO HYD INSTALLATION TOOL		
	SURFACE FINISH ✓ ALL OVER DIMENSIONS ARE IN INCHES	APP'D BY: G L 02-09-68	<b>THE LEE COMPANY</b> WESTBROOK, CT 06498		
	TOLERANCES 2 PLACES ±.015 3 PLACES ±.005 ANGLES ±5°	MAT:			
	H.T.:	SIZE B	CAGE CODE 92555	DWG NO. CUTA2815205A	REV A
	FINISH:	DWG SCALE: NONE		SHEET 1 OF 1	