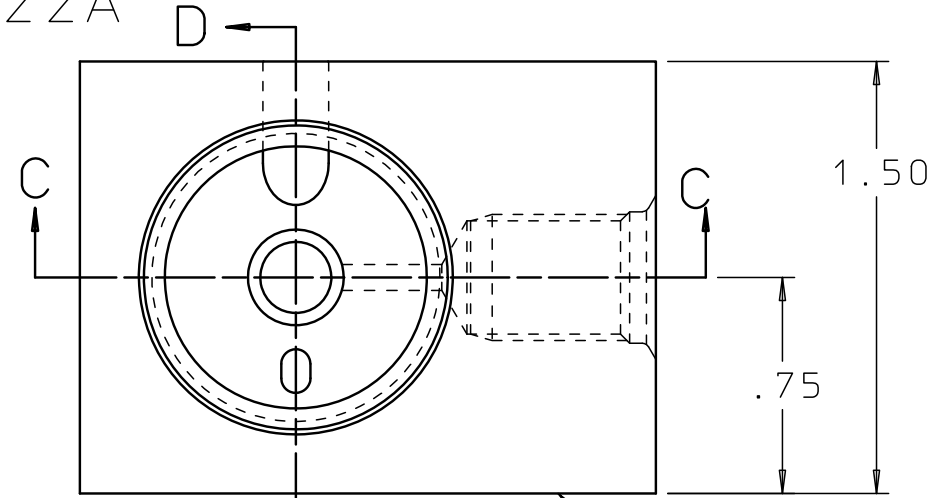
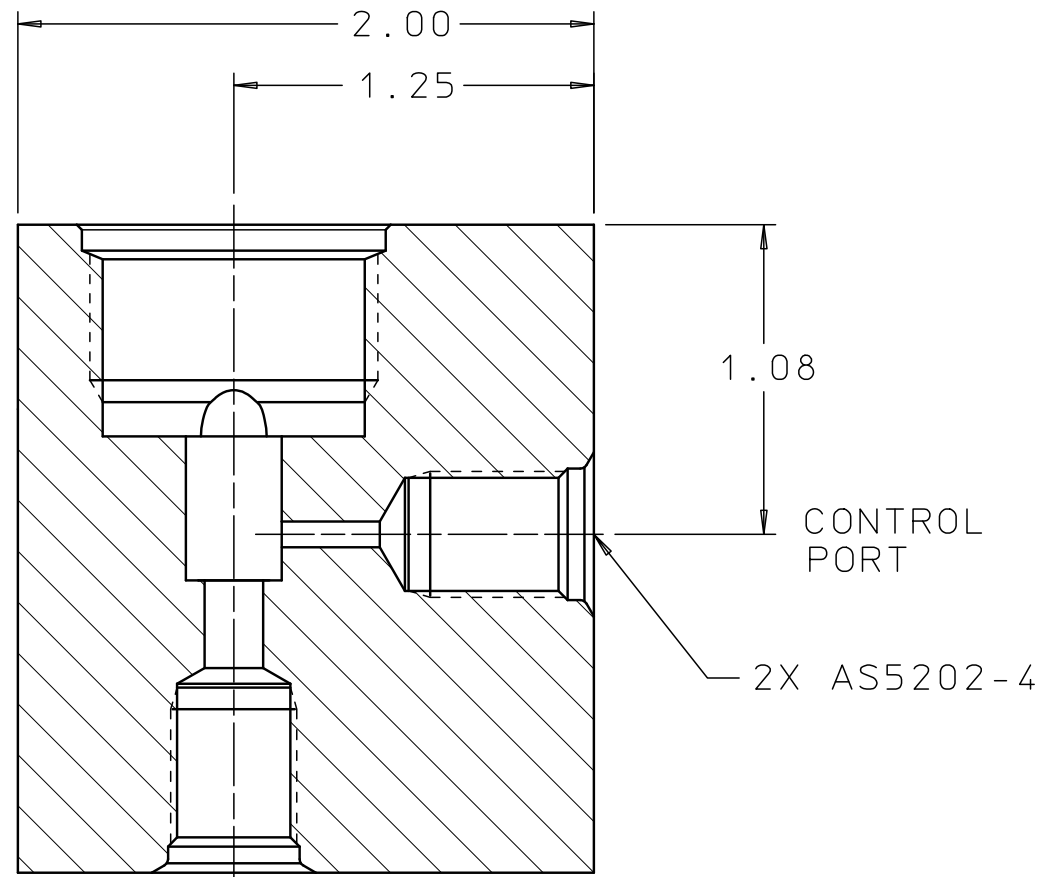


CUTA3320122A

REV	DATE	BY	DESCRIPTION
A	12-04-15	RF	INITIAL RELEASE

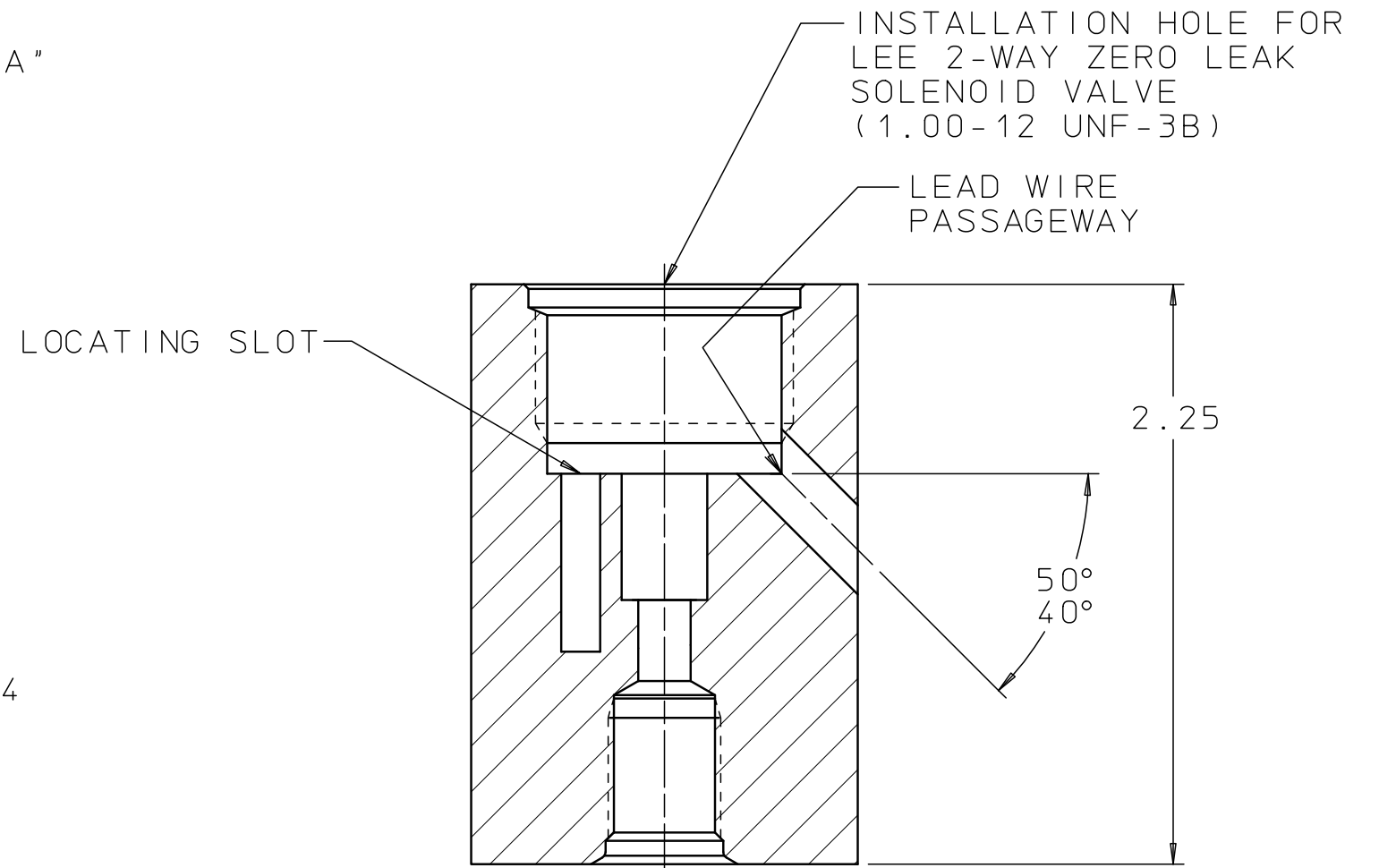


MARKING  
"LEE CUTA3320122A"



PRESSURE PORT

SECTION C-C



SECTION D-D

**PROPRIETARY ITEM**

This document contains proprietary information and is submitted upon the express condition that the information contained herein will not be used directly or indirectly in any way detrimental to the interests of The Lee Company, and/or in violation of regulation DAR 7-104.9(a)(1 July 1974), et seq.

CUTD0408150  
REFERENCE

DWG NO: CUTA3320122A

NOTES AND DIMENSIONS SHOWN HERE ON ARE FOR INSPECTION IDENTIFICATION ONLY. ALL MANUFACTURING RIGHTS RESERVED.

EXTERNAL CORNER RAD:  
INTERNAL FILLET RAD:

SURFACE FINISH ✓ ALL OVER  
DIMENSIONS ARE IN INCHES

TOLERANCES  
2 PLACES ±.015 3 PLACES ±.005 ANGLES ±5°

DRAWN BY:	R F	12-04-15
CHK'D BY:	TGC	12-07-15
APP'D BY:	B B	12-16-15
MAT:	2024-T351 ALUMINUM	
H.T.:		
FINISH:	CLEAR ANODIZE	

TEST FIXTURE FOR LEE 2-WAY ZERO LEAK SOLENOID VALVE



THE LEE COMPANY  
WESTBROOK, CT 06498

SIZE	CAGE CODE	DWG NO.	REV
B	92555	CUTA3320122A	A
DWG SCALE: 1.5:1		SHEET 1 OF 1	