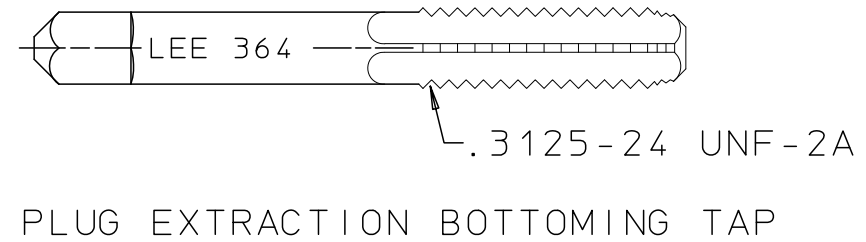
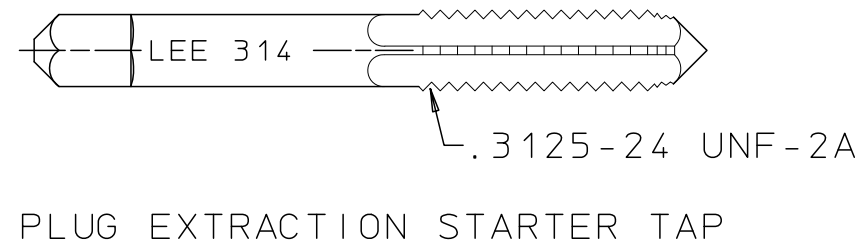
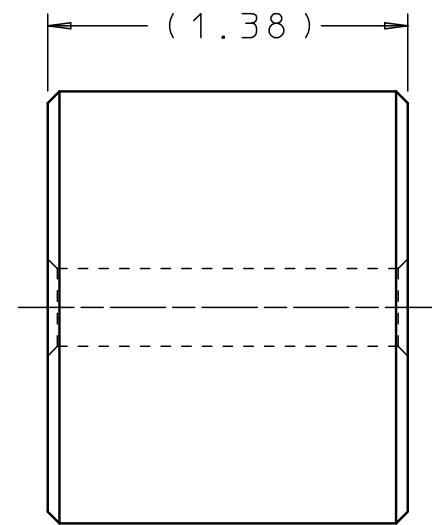
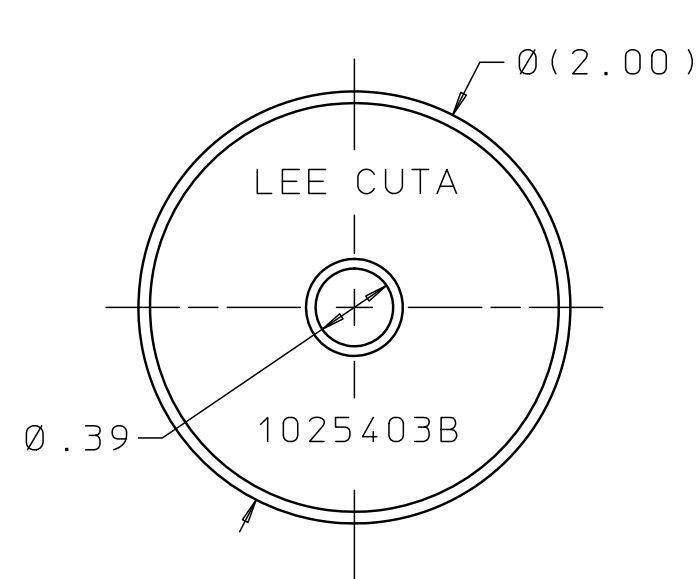
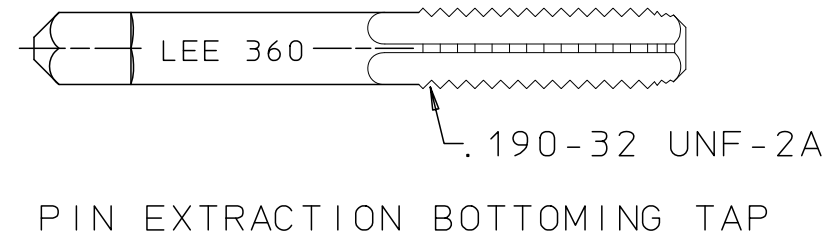
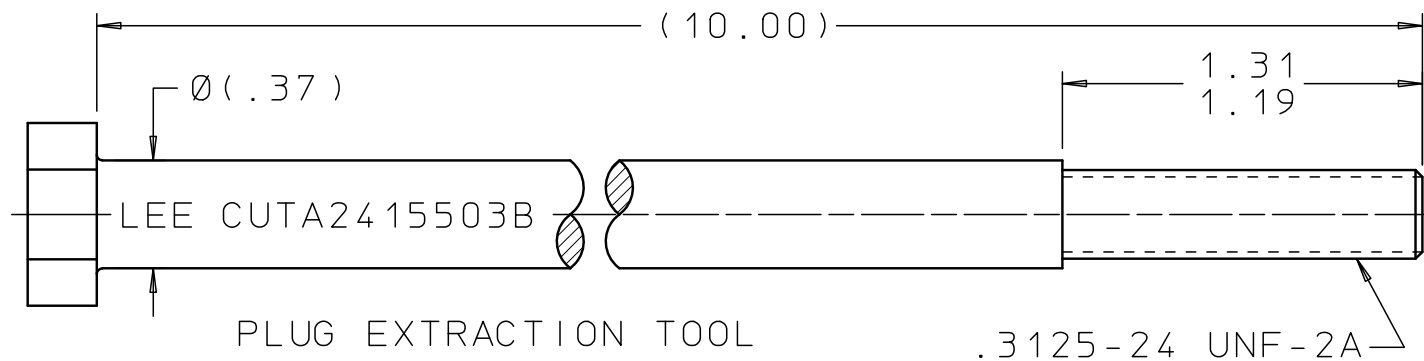
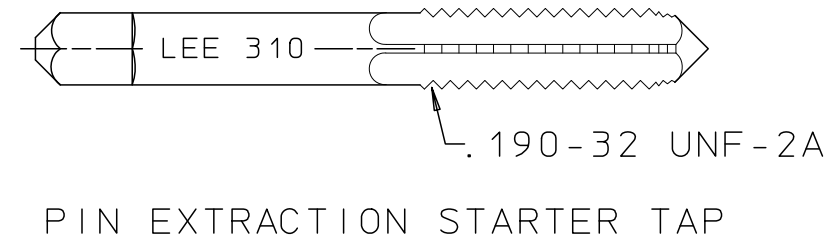
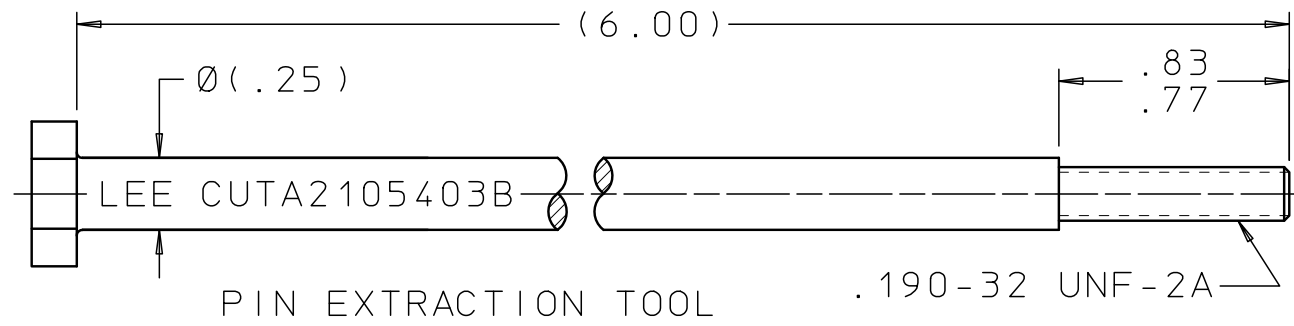


CUTA3430103B

REV	DATE	BY	DESCRIPTION
A	11-04-76	JDR	INITIAL RELEASE
2	07-27-78	F P	ADDED REFERENCE
B	01-07-92	GMR	REDRAWN TO CAD, WAS WORD DRAWING; RMVED STRIKER CUTA1015403B & TAP SETS CUTA610-5403B & CUTA6145503B
C	12-13-12	KD	PIN EXTR TOOL; REMOVED HEX & REV LTR IN MARKING, ADDED 2 FLATS. PLUG EXTR REMOVED HEX & REV LTR IN MARKING, ADDED 2 FLATS. 1.31-1.19 WAS 1.325-1.175 & Ø(.37) WAS Ø(.375). STRIKER; Ø(2.00) WAS 1.38. REMOVED REV LTR FROM MARKING.



EXTRACTION TOOL SET FOR:
.343 LEE PLUGS

CUTD3430103
REFERENCE

DWG NO: CUTA3430103B	NOTES AND DIMENSIONS SHOWN HERE ON ARE FOR INSPECTION IDENTIFICATION ONLY. ALL MANUFACTURING RIGHTS RESERVED.	DRAWN BY: JDR	11-04-76	LEE PLUG EXTRACTION SET	
	EXTERNAL CORNER RAD: INTERNAL FILLET RAD:	CHK'D BY:			
	SURFACE FINISH ✓ ALL OVER DIMENSIONS ARE IN INCHES	APP'D BY: G L	11-10-76	THE LEE COMPANY WESTBROOK, CT 06498	
	TOLERANCES 2 PLACES ±.015 3 PLACES ±.005 ANGLES ±5°	MAT:		SIZE: B	CAGE CODE: 92555
	H.T.:				REV: C
	FINISH:			DWG SCALE: NONE	SHEET 1 OF 1

PROPRIETARY ITEM

This document contains proprietary information and is submitted upon the express condition that the information contained herein will not be used directly or indirectly in any way detrimental to the interests of The Lee Company, and/or in violation of regulation DAR 7-104.9(a)(1 July 1974), et seq.