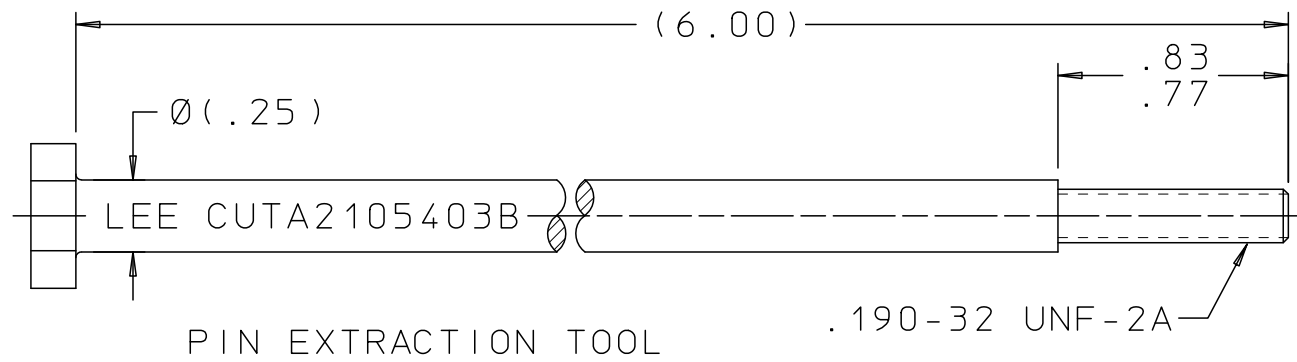
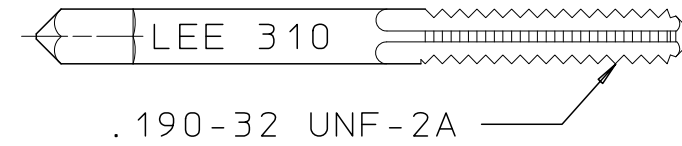


CUTA3430801C

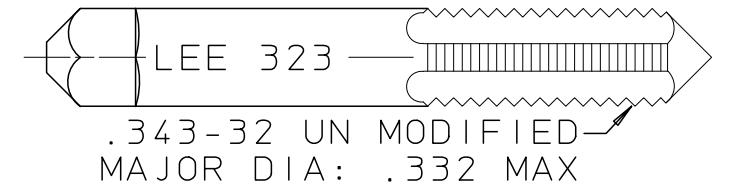
REV	DATE	BY	DESCRIPTION
A	11-01-95	BR	INITIAL RELEASE
B	05-24-10	KD	DELETED REV LETTERS FROM MARKINGS, PIN EXTR TOOL, BODY EXTR TOOL AND STRIKER. UPDATED CUTA3430203A
C	04-24-13	KD	PIN & BODY EXTR TOOL REMOVED HEX. ADDED 2 FLATS



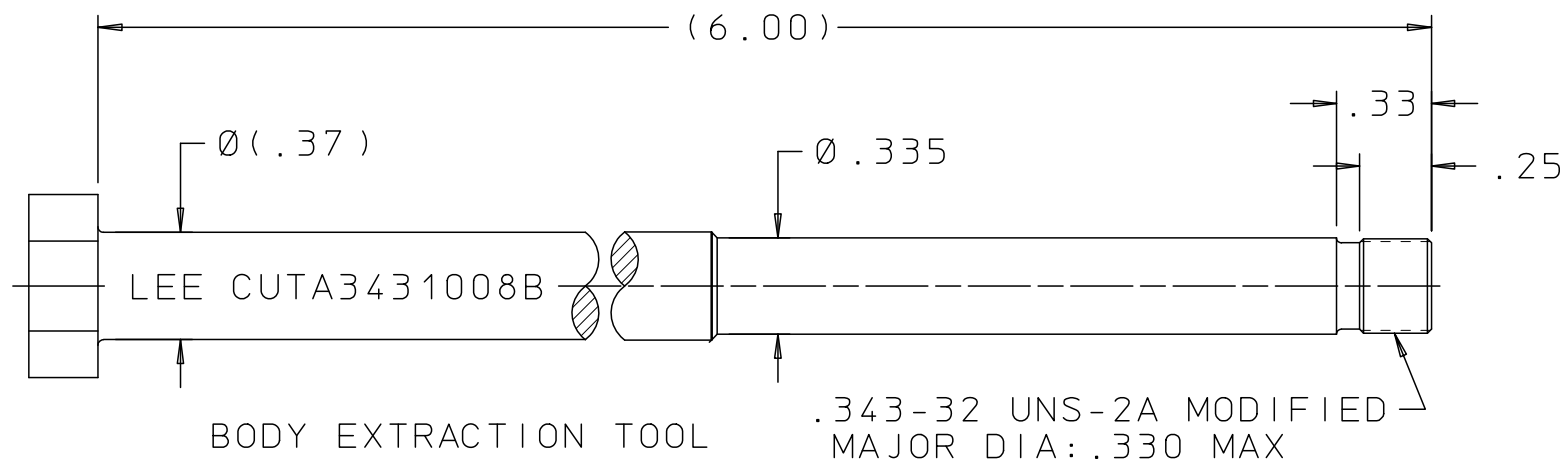
PIN EXTRACTION TOOL



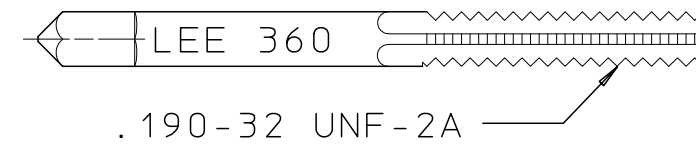
STARTER TAP
(CUTA3105403B)



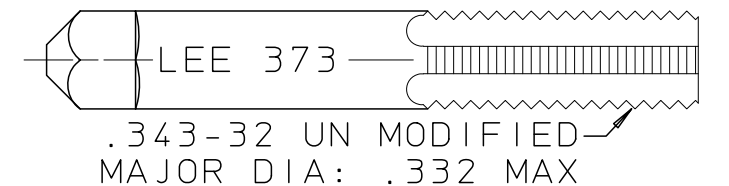
STARTER TAP
(CUTA3235503B)



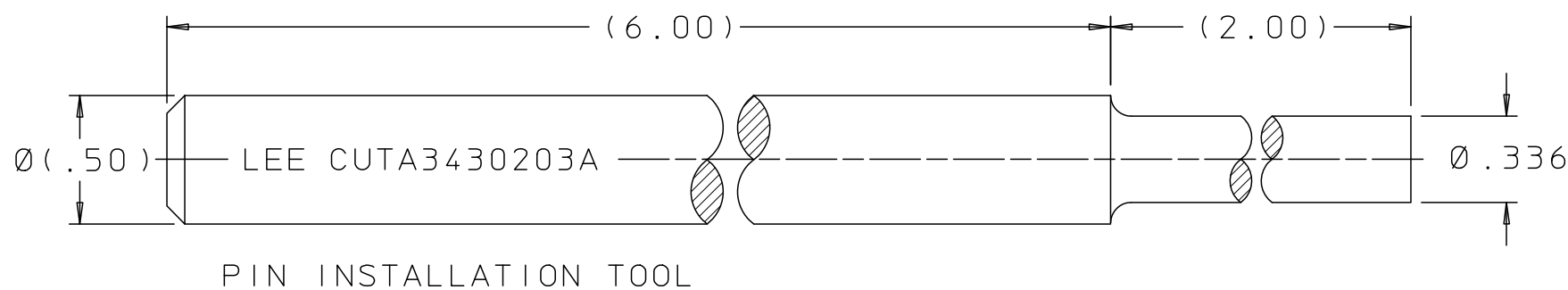
BODY EXTRACTION TOOL



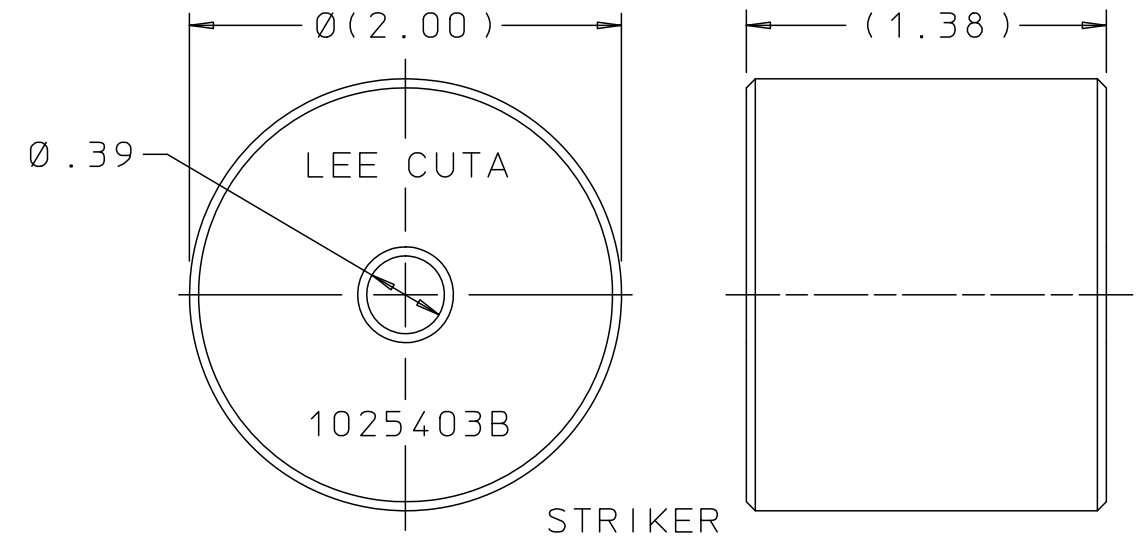
BOTTOMING TAP
(CUTA3605403B)



BOTTOMING TAP
(CUTA3735503B)



PIN INSTALLATION TOOL



STRIKER

INSTALLATION/EXTRACTION TOOL SET FOR:
.343-.353 LEE LUBRICATION JET

PROPRIETARY ITEM

This document contains proprietary information and is submitted upon the express condition that the information contained herein will not be used directly or indirectly in any way detrimental to the interests of The Lee Company, and/or in violation of regulation DAR 7-104.9(a)(1 July 1974), et seq.

CUTD0105680

REFERENCE

DWG NO: CUTA3430801C

NOTES AND DIMENSIONS SHOWN HERE ON ARE FOR INSPECTION IDENTIFICATION ONLY. ALL MANUFACTURING RIGHTS RESERVED.

EXTERNAL CORNER RAD:
INTERNAL FILLET RAD:

SURFACE FINISH ✓ ALL OVER
DIMENSIONS ARE IN INCHES

TOLERANCES
2 PLACES ±.015 3 PLACES ±.005 ANGLES ±5°

DRAWN BY: B R 11-01-95

CHK'D BY: L B 11-03-95

APPD BY: B B 11-07-95

MAT:

H.T.:

FINISH:

LEE INSTALLATION/EXTRACTION
TOOL SET



THE LEE COMPANY
WESTBROOK, CT 06498

SIZE	CAGE CODE	DWG NO.	REV
B	92555	CUTA3430801C	C

DWG SCALE: NONE

SHEET 1 OF 1