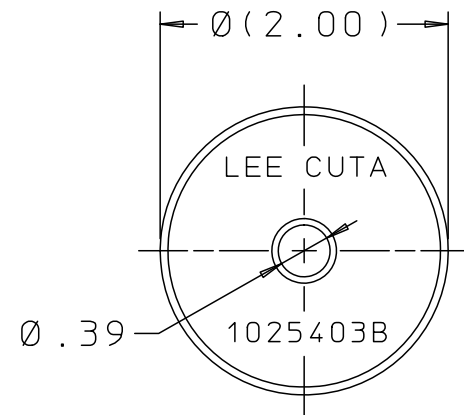
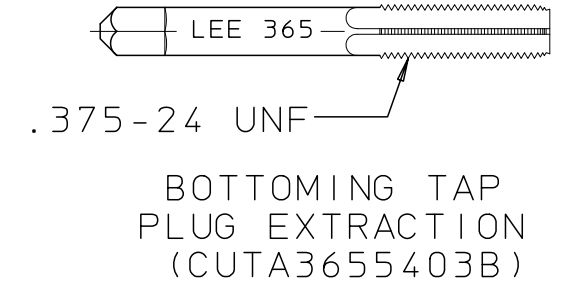
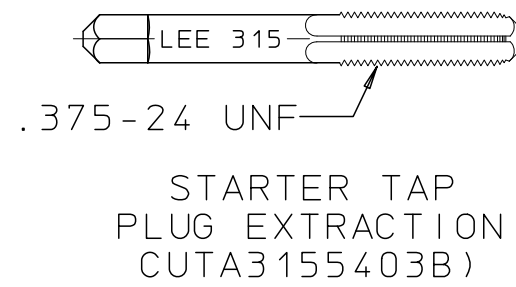
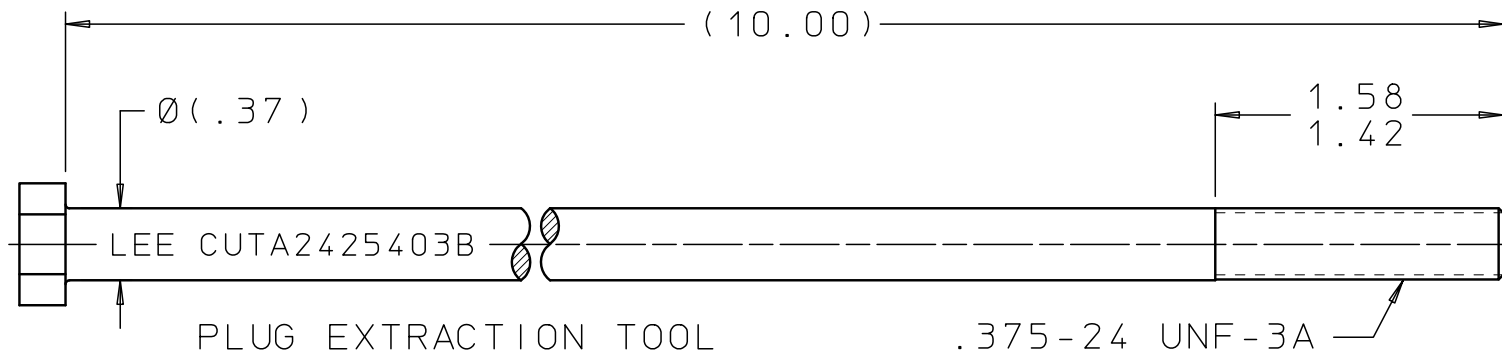
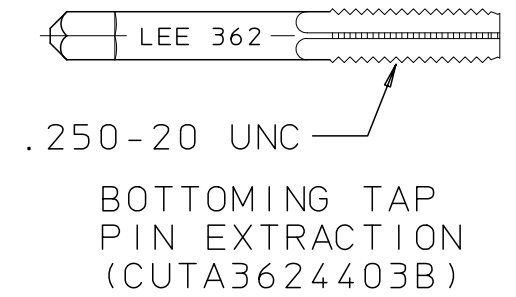
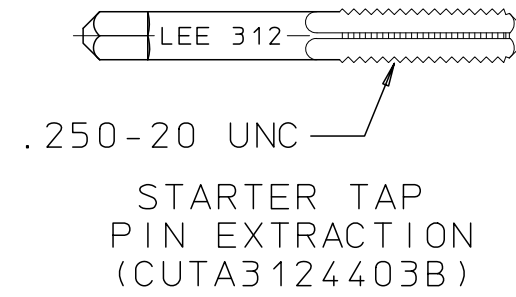
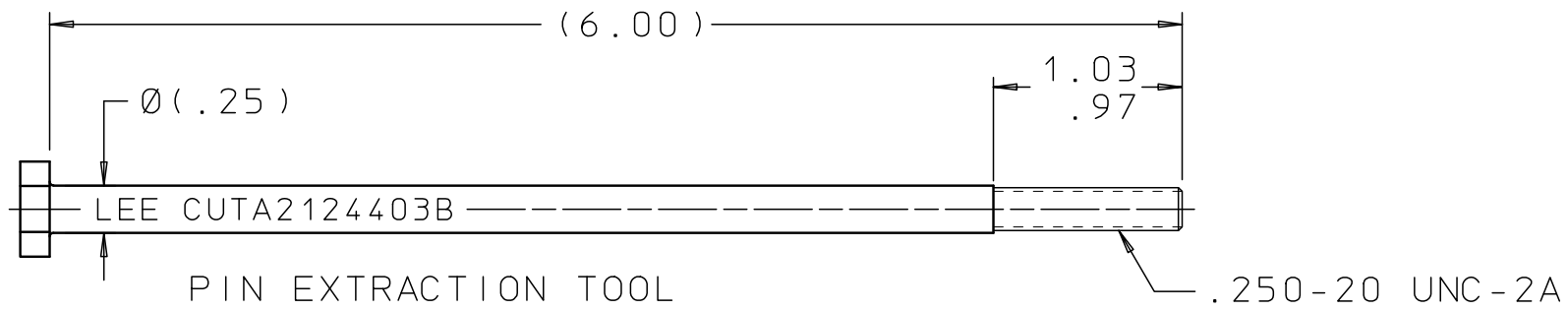
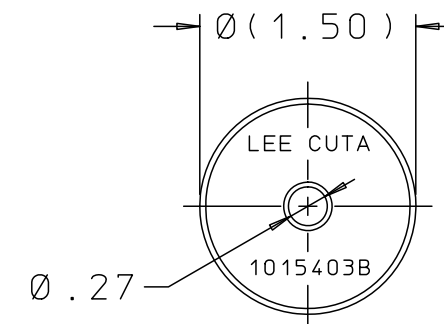
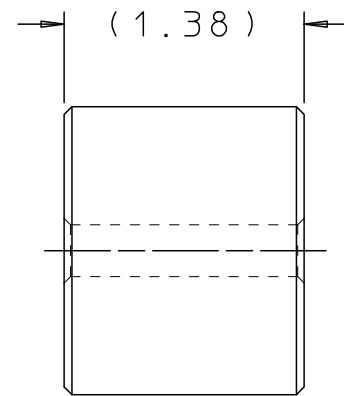


CUTA4060103B

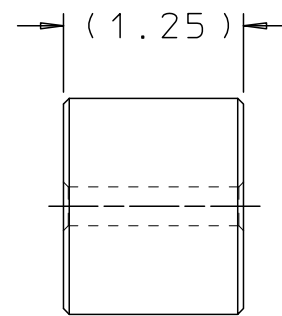
REV	DATE	BY	DESCRIPTION
A4	06-16-04	KD	REMOVED REV LETTERS FROM MARKING.
B	12-03-12	KD	PIN EXTR TOOL; REMOVED HEX, ADDED 2 FLATS. PLUG EXTR TOOL; REMOVED HEX, ADDED 2 FLATS. Ø(.37) WAS Ø(.375). STRIKER; Ø(2.00) & (1.38) WAS Ø2.00 & 1.38. STRIKER; Ø(1.50) WAS Ø1.50 & (1.25) WAS 1.25.



STRIKER



STRIKER



PROPRIETARY ITEM

This document contains proprietary information and is submitted upon the express condition that the information contained herein will not be used directly or indirectly in any way detrimental to the interests of The Lee Company, and/or in violation of regulation DAR 7-104.9(a)(1 July 1974), et seq.

CUTD4060103
REFERENCE

DWG NO: CUTA4060103B	NOTES AND DIMENSIONS SHOWN HERE ON ARE FOR INSPECTION IDENTIFICATION ONLY. ALL MANUFACTURING RIGHTS RESERVED.	DRAWN BY: JDR	11-04-76	LEE TOOL SET EXTRACTION	
	EXTERNAL CORNER RAD: INTERNAL FILLET RAD:	CHK'D BY:			
	SURFACE FINISH ✓ ALL OVER DIMENSIONS ARE IN INCHES	APPD BY: G L	11-04-76	THE LEE COMPANY WESTBROOK, CT 06498	
	TOLERANCES 2 PLACES ±.015 3 PLACES ±.005 ANGLES ±5°	MAT:		SIZE: B	CAGE CODE: 92555
	H.T.:				REV: B
	FINISH:			DWG SCALE: NONE	SHEET 1 OF 1