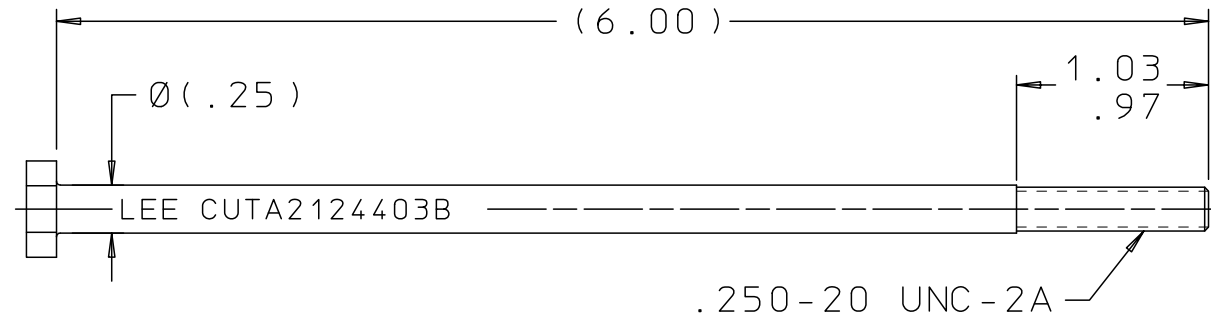
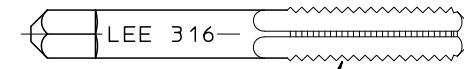


CUTA4060203B

REV	DATE	BY	DESCRIPTION
A	11-04-76	JDR	INITIAL RELEASE
3	07-27-78	F P	ADDED REFERENCE
B	07-25-91	GMR	REDRAWN TO CAD; WAS WORD DRAWING
C	02-25-13	KD	PIN & PLUG EXTRACT REMOVED HEX & REV LETTER FROM MARKING. ADDED 2 FLATS. PLUG STRIKER; Ø(2.00) WAS Ø2.00. PIN STRIKER; Ø(1.50) WAS Ø1.50 & (1.25) WAS 1.25.

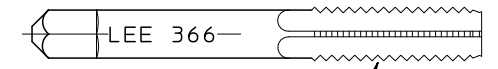


PIN EXTRACTION TOOL



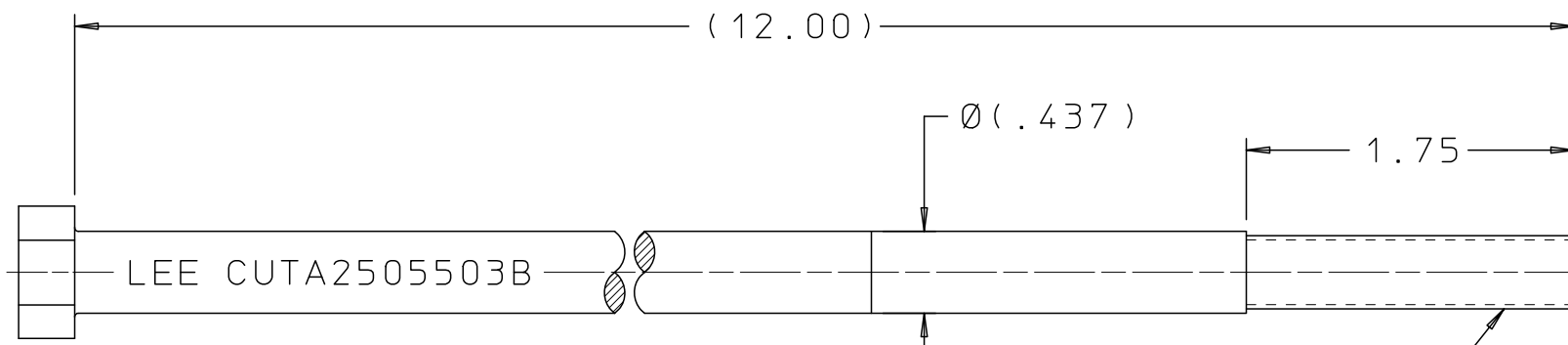
M10 X 1.0 ISO

STARTER TAP
PLUG EXTRACTION
(CUTA3165503B)

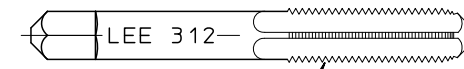


M10 X 1.0 ISO

BOTTOMING TAP
PLUG EXTRACTION
(CUTA3665503B)

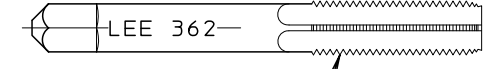


PLUG EXTRACTION TOOL



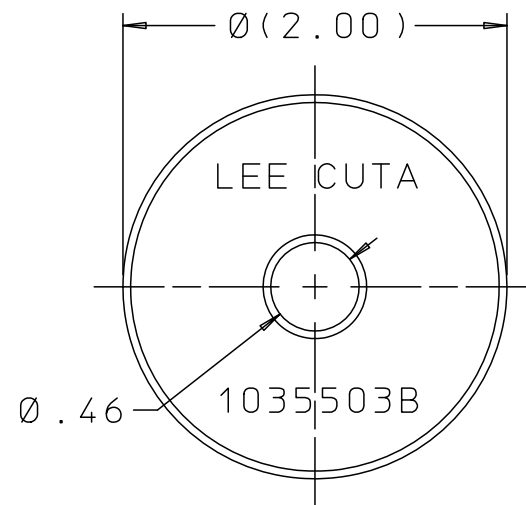
.250-20 UNC

STARTER TAP
PIN EXTRACTION
(CUTA3124403B)

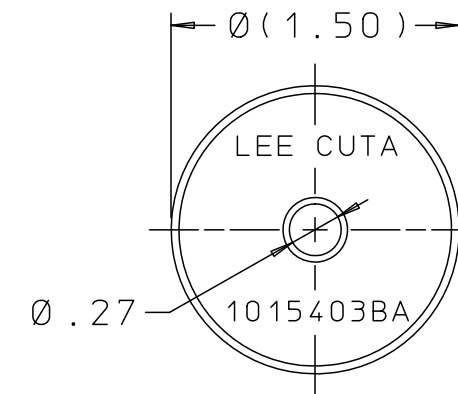
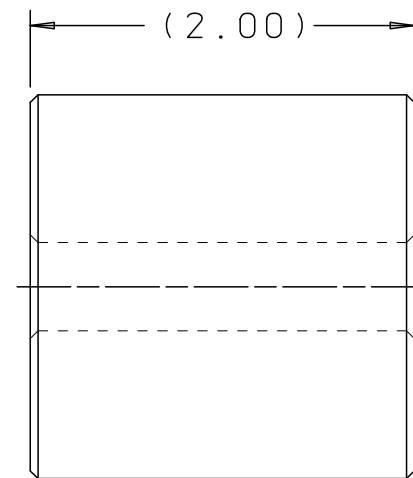


.250-20 UNC

BOTTOMING TAP
PIN EXTRACTION
(CUTA3624403B)



STRIKER, PLUG



STRIKER, PIN

PROPRIETARY ITEM

This document contains proprietary information and is submitted upon the express condition that the information contained herein will not be used directly or indirectly in any way detrimental to the interests of The Lee Company, and/or in violation of regulation DAR 7-104.9(a)(1 July 1974), et seq.

CUTD4060203
REFERENCE

DWG NO: CUTA4060203B

NOTES AND DIMENSIONS SHOWN HERE ON ARE FOR INSPECTION IDENTIFICATION ONLY. ALL MANUFACTURING RIGHTS RESERVED.

EXTERNAL CORNER RAD:
INTERNAL FILLET RAD:

SURFACE FINISH ✓ ALL OVER
DIMENSIONS ARE IN INCHES

TOLERANCES
2 PLACES ±.015 3 PLACES ±.005 ANGLES ±5°

DRAWN BY: JDR 11-04-76

CHK'D BY:

APPD BY: G L 11-10-76

MAT:

H.T.:

FINISH:

LEE TOOL SET
EXTRACTION



THE LEE COMPANY
WESTBROOK, CT 06498

SIZE	CAGE CODE	DWG NO.	REV
B	92555	CUTA4060203B	C

DWG SCALE: NONE SHEET 1 OF 1