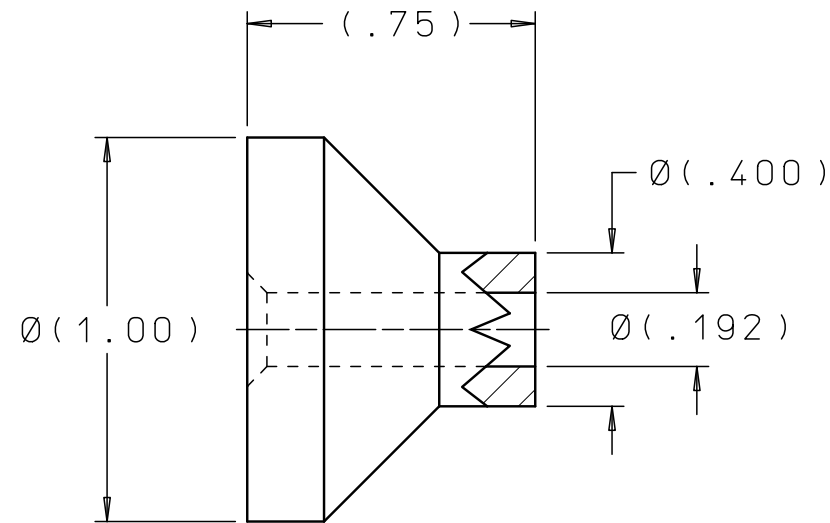
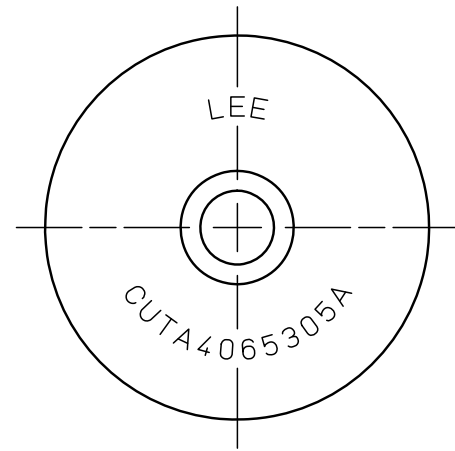
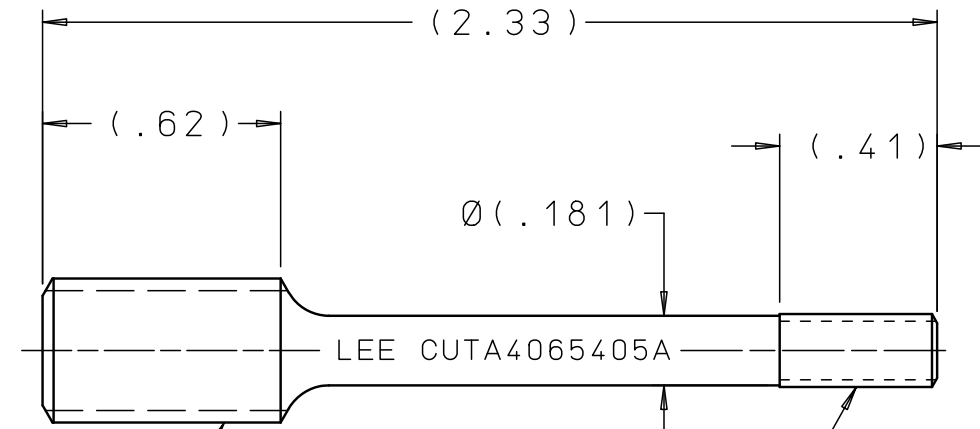


CUTA4065205A

REV	DATE	BY	DESCRIPTION
A	02-14-69	LAJ	.181±.001 WAS .183 +.002 -.000.
B	01-29-75	KMN	P/N WAS 40652
2	11-30-10	KD	DRAWN TO CAD. ADDED MARKINGS.



PUSHER



.375-16 UNC-2A

.190-32 UNF-2A

STUD

**PROPRIETARY ITEM**

This document contains proprietary information and is submitted upon the express condition that the information contained herein will not be used directly or indirectly in any way detrimental to the interests of The Lee Company, and/or in violation of regulation DAR 7-104.9(a)(1 July 1974). et seq.

CUTD4065205  
REFERENCE

DWG NO: CUTA4065205A	NOTES AND DIMENSIONS SHOWN HERE ON ARE FOR INSPECTION IDENTIFICATION ONLY. ALL MANUFACTURING RIGHTS RESERVED.		DRAWN BY: P S	02-05-68	TOOL SET- .406 RFO HYD INSTAL TOOL		
	EXTERNAL CORNER RAD: INTERNAL FILLET RAD:		CHK'D BY: JFMc	02-08-68			
	SURFACE FINISH ✓ ALL OVER DIMENSIONS ARE IN INCHES		APPD BY: EWL	02-09-68	<b>THE LEE COMPANY</b> WESTBROOK, CT 06498		
	TOLERANCES 2 PLACES ±.015    3 PLACES ±.005    ANGLES ±5°		MAT:	H.T.:			SIZE <b>B</b>
FINISH:				DWG SCALE: NONE		SHEET 1 OF 1	