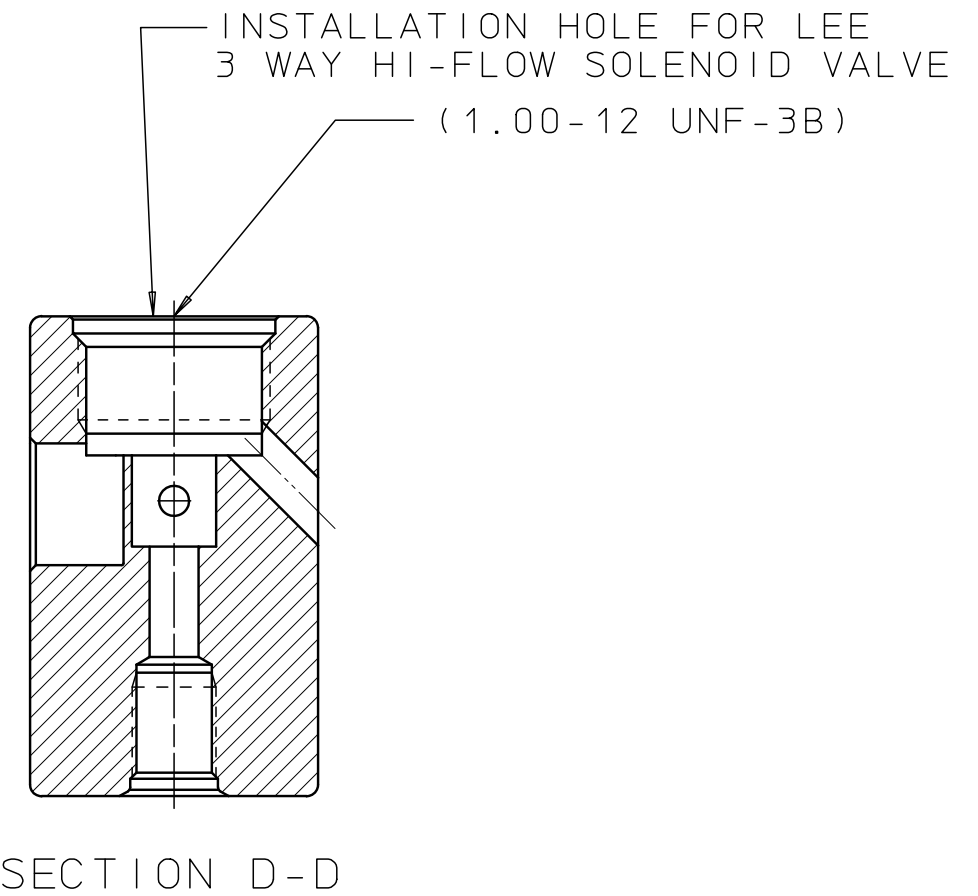
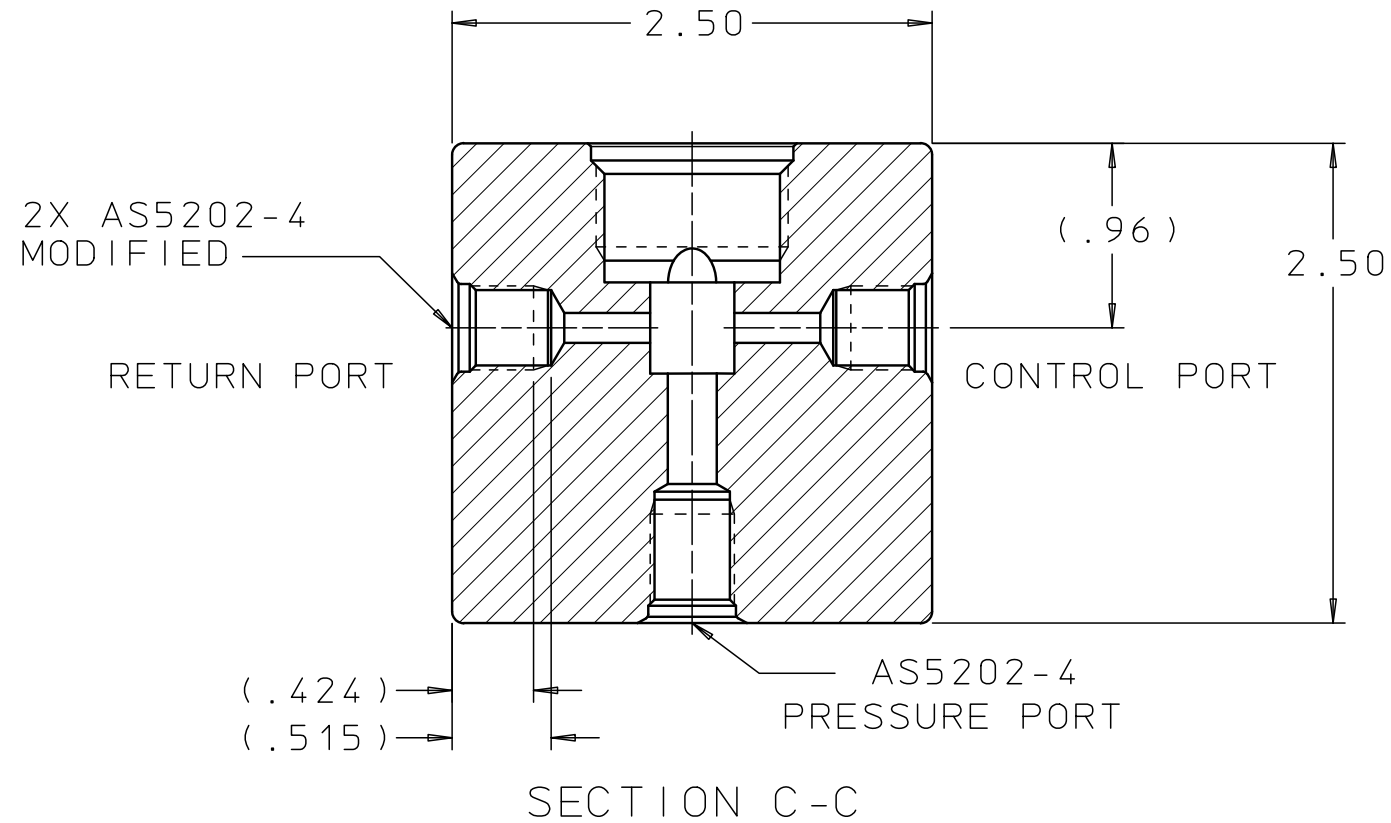
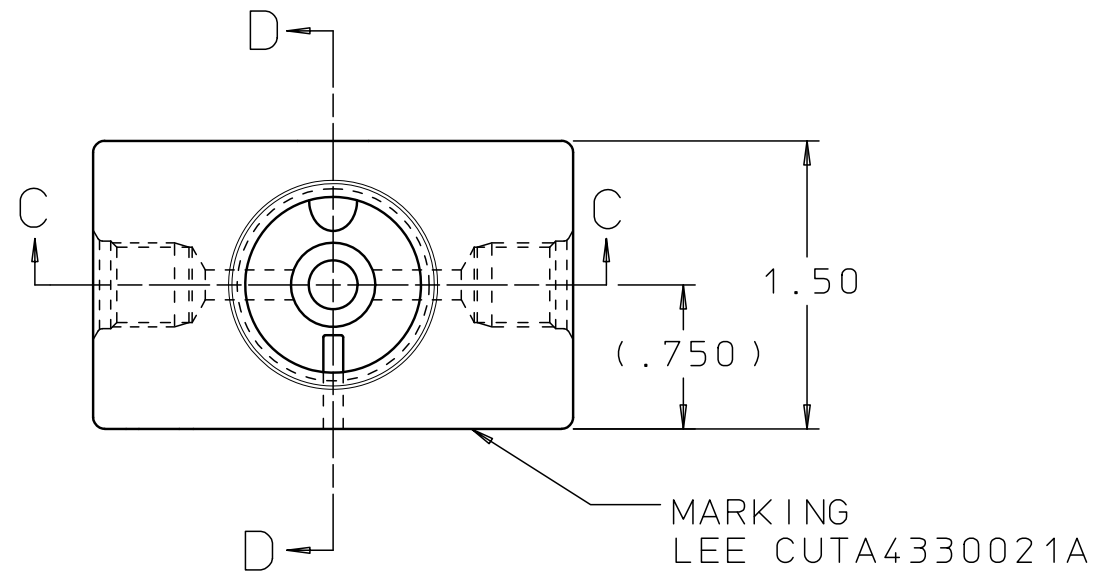


CUTA4330021A

REV	DATE	BY	DESCRIPTION
A	07-18-07	MC	INITIAL RELEASE
2	12-18-15	RF	REFERENCED THREAD INFORMATION. AS5202-4 WAS MS33649-4.




NOTES:  
1. MAXIMUM PRESSURE 7500 PSI.

**PROPRIETARY ITEM**

This document contains proprietary information and is submitted upon the express condition that the information contained herein will not be used directly or indirectly in any way detrimental to the interests of The Lee Company, and/or in violation of regulation DAR 7-104.9(a)(1 July 1974), et seq.

CUTD0407650  
REFERENCE

DWG NO: CUTA4330021A	NOTES AND DIMENSIONS SHOWN HERE ON ARE FOR INSPECTION IDENTIFICATION ONLY. ALL MANUFACTURING RIGHTS RESERVED.	DRAWN BY: M C	07-17-07	TEST FIXTURE FOR LEE 3-WAY HI-FLOW SOLENOID VALVE			
	EXTERNAL CORNER RAD: .005 MAX INTERNAL FILLET RAD: .005 MAX	CHK'D BY: DEP	07-18-07	 <b>THE LEE COMPANY</b> WESTBROOK, CT 06498			
	63 SURFACE FINISH ✓ ALL OVER DIMENSIONS ARE IN INCHES	APP'D BY: B B	07-20-07				
	TOLERANCES 2 PLACES ±.015    3 PLACES ±.005    ANGLES ±5°	MAT: 2024-T351 ALUMINUM	H.T.:	FINISH: CLEAR ANODIZE	SIZE: B	CAGE CODE: 92555	DWG NO.: CUTA4330021A
DWG SCALE: 1/1				SHEET 1 OF 1			