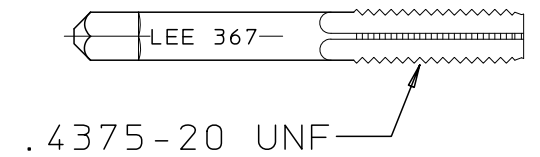
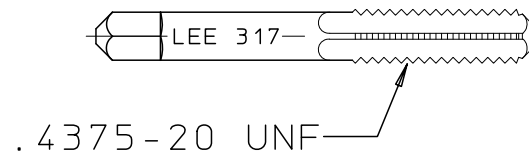
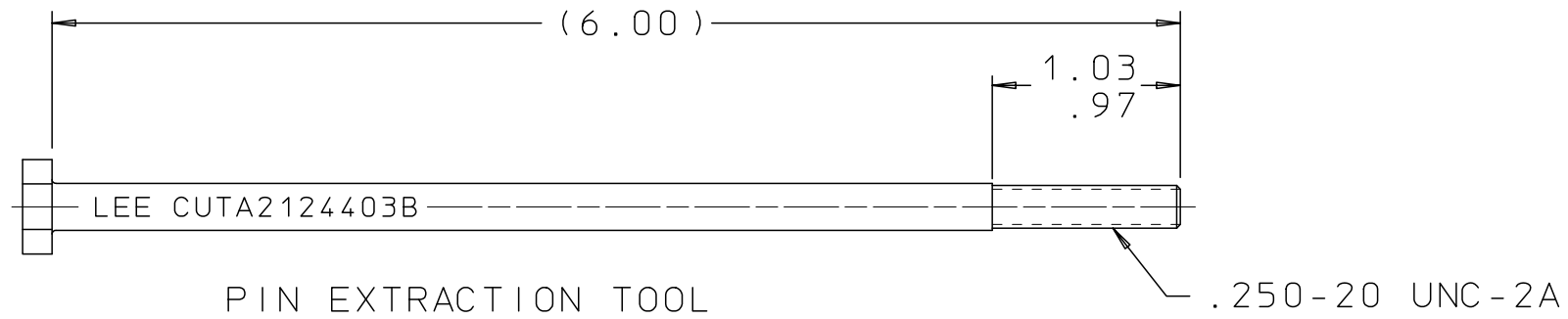


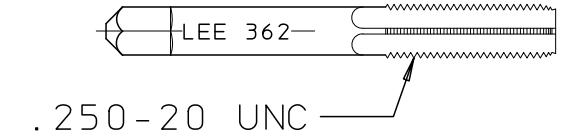
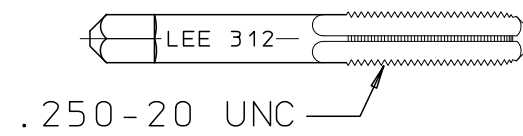
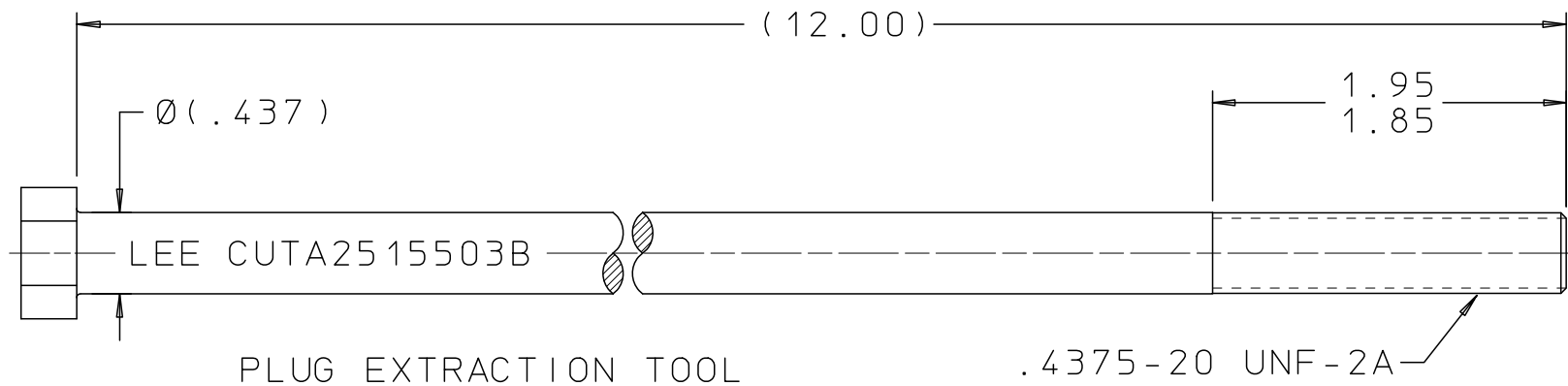
CUTA4680103B

REV	DATE	BY	DESCRIPTION
B	07-26-91	GMR	REDRAWN TO CAD; WAS WORD DRAWING
C	02-26-13	KD	PIN & PLUG EXTRACT TOOL: REMOVED HEX, ADDED 2 FLATS & REMOVED REV LETTER FROM MARKING. STRIKER PLUG; Ø(2.00) WAS Ø2.00 & STRIKER PIN; Ø(1.50) WAS Ø1.50 & (1.25) WAS 1.25.



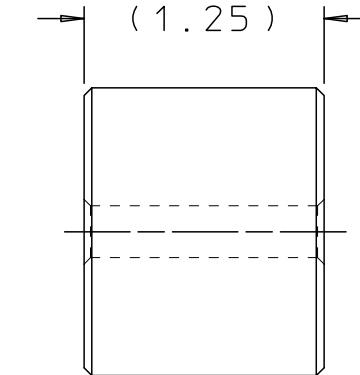
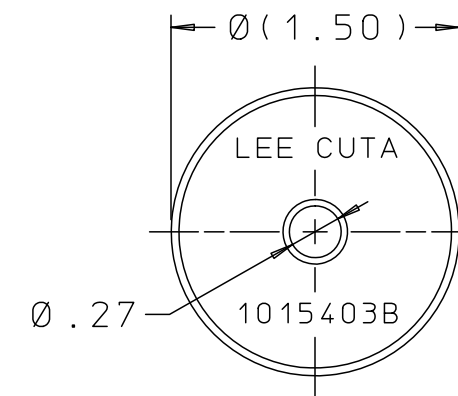
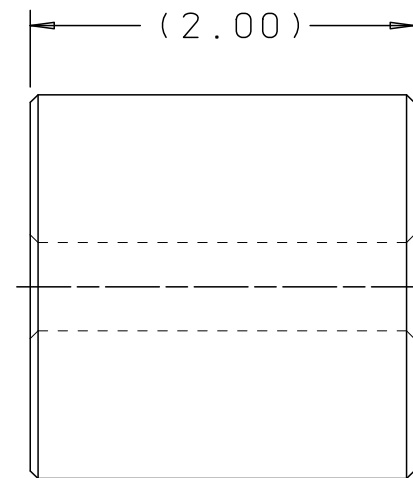
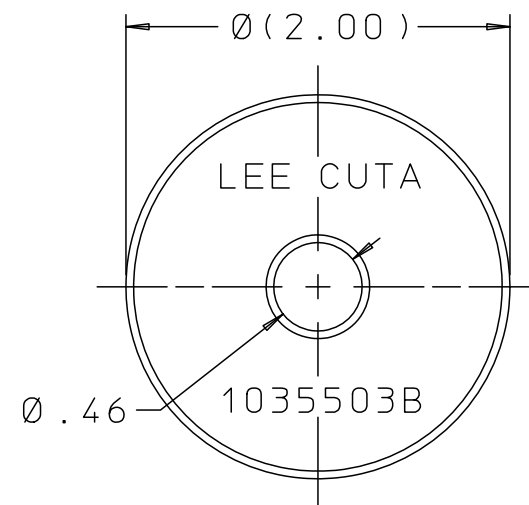
STARTER TAP
PLUG EXTRACTION
CUTA3175503B

BOTTOMING TAP
PLUG EXTRACTION
CUTA3675503B



STARTER TAP
PIN EXTRACTION
CUTA3124403B

BOTTOMING TAP
PIN EXTRACTION
CUTA3624403B



STRIKER, PIN

STRIKER, PLUG

PROPRIETARY ITEM

This document contains proprietary information and is submitted upon the express condition that the information contained herein will not be used directly or indirectly in any way detrimental to the interests of The Lee Company, and/or in violation of regulation DAR 7-104.9(a)(1 July 1974), et seq.

CUTD4680103

REFERENCE

DWG NO:
CUTA4680103B

NOTES AND DIMENSIONS SHOWN HERE ON ARE FOR INSPECTION IDENTIFICATION ONLY. ALL MANUFACTURING RIGHTS RESERVED.

EXTERNAL CORNER RAD:
INTERNAL FILLET RAD:

SURFACE FINISH ✓ ALL OVER
DIMENSIONS ARE IN INCHES

TOLERANCES
2 PLACES ±.015 3 PLACES ±.005 ANGLES ±5°

DRAWN BY: JDR 11-04-76

CHK'D BY:

APPD BY: G L 11-10-76

MAT:

H.T.:

FINISH:

LEE TOOL SET
EXTRACTION



THE LEE COMPANY
WESTBROOK, CT 06498

SIZE	CAGE CODE	DWG NO.	REV
B	92555	CUTA4680103B	C

DWG SCALE: NONE

SHEET 1 OF 1