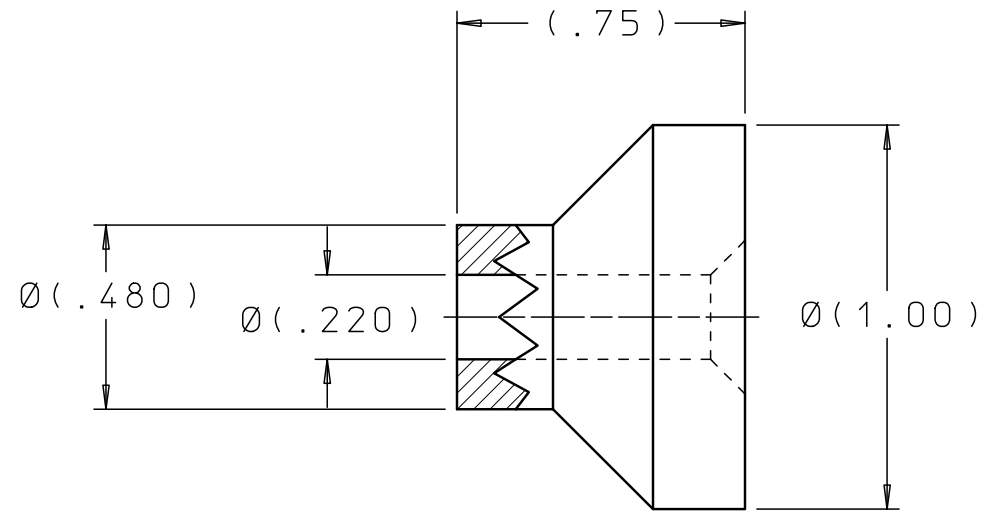
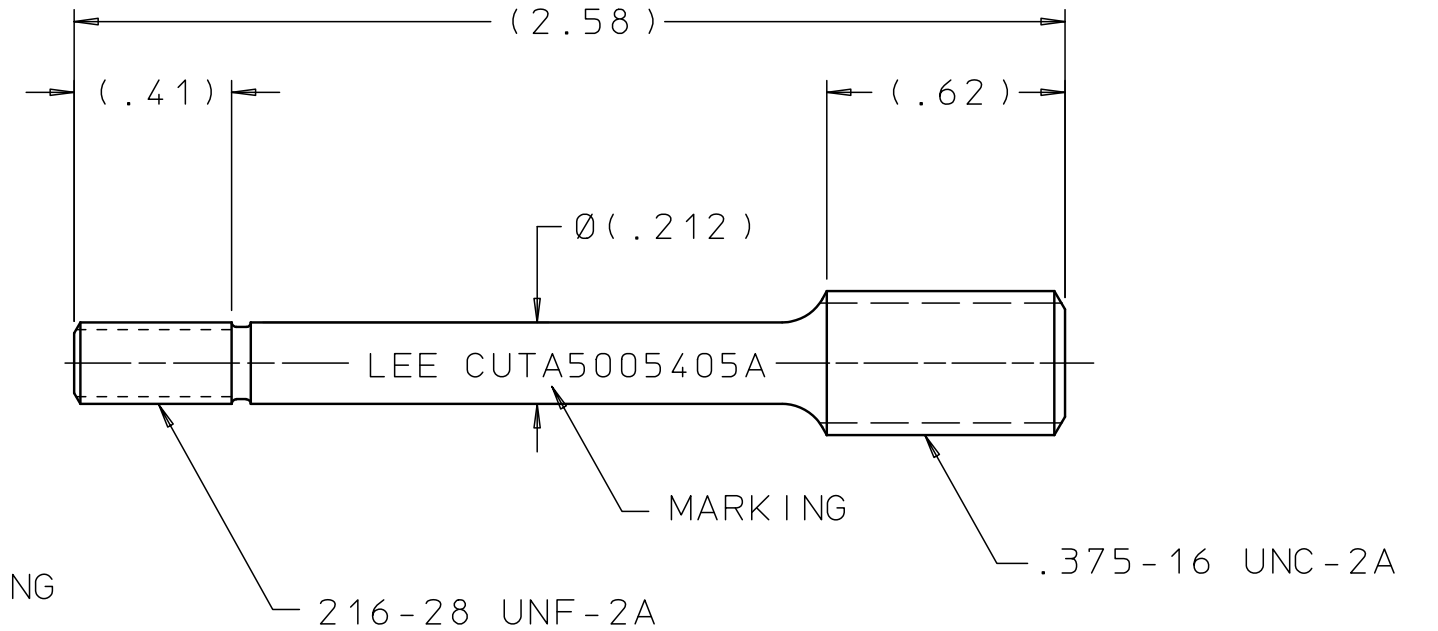
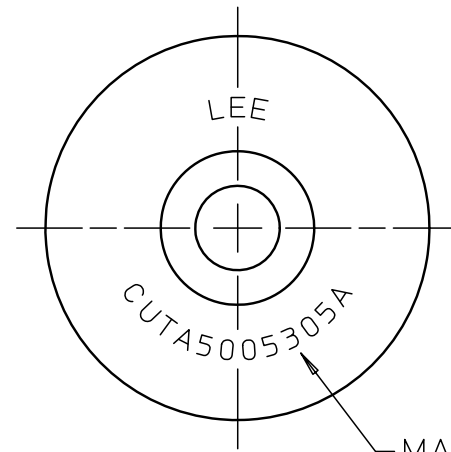


CUTA5005205A

REV	DATE	BY	DESCRIPTION
C	09-23-82	TD	REDRAWN TO SCALE REVISED THREAD CALL- OUT .212 DIA WAS .214
2	08-19-08	KD	REDRAWN TO CAD.
3	01-13-11	KD	ADDED MARKINGS. REF ALL DIM'S.
D	10-29-13	MC	CUTA5005405A WAS CUTA4685405A



PUSHER



STUD

PROPRIETARY ITEM

This document contains proprietary information and is submitted upon the express condition that the information contained herein will not be used directly or indirectly in any way detrimental to the interests of The Lee Company, and/or in violation of regulation DAR 7-104.9(a)(1 July 1974), et seq.

CUTD5005205
REFERENCE

DWG NO: CUTA5005205A	NOTES AND DIMENSIONS SHOWN HERE ON ARE FOR INSPECTION IDENTIFICATION ONLY. ALL MANUFACTURING RIGHTS RESERVED.	DRAWN BY: P S 02-05-68	TOOL SET		
	EXTERNAL CORNER RAD: INTERNAL FILLET RAD:	CHK'D BY: JFMS 02-08-68	RFO HYD INSTALLATION TOOL		
	SURFACE FINISH ✓ ALL OVER DIMENSIONS ARE IN INCHES	APP'D BY: EWL 02-29-68	THE LEE COMPANY WESTBROOK, CT 06498		
	TOLERANCES 2 PLACES 3 PLACES ANGLES ±.015 ±.005 ±5°	MAT:			
	H.T.:	SIZE B	CAGE CODE 92555	DWG NO. CUTA5005205A	REV D
	FINISH:	DWG SCALE: NONE		SHEET 1 OF 1	