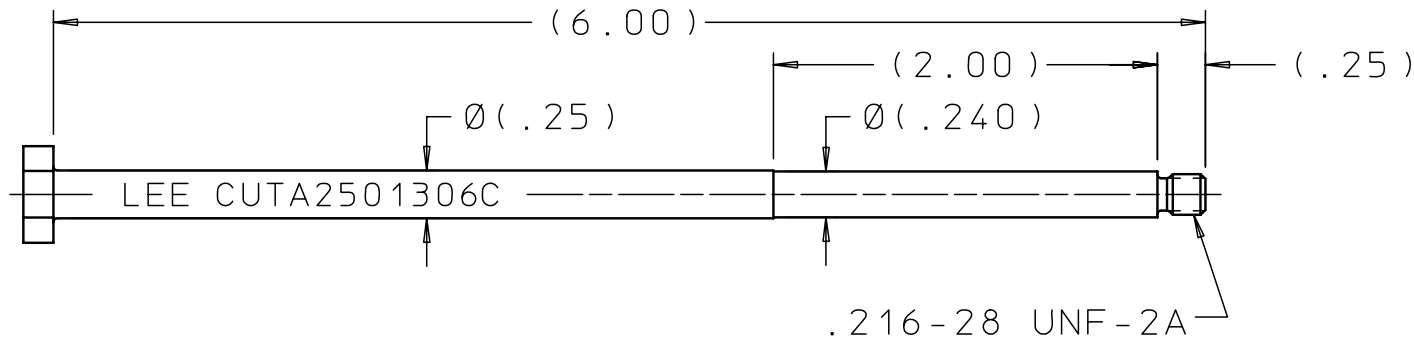
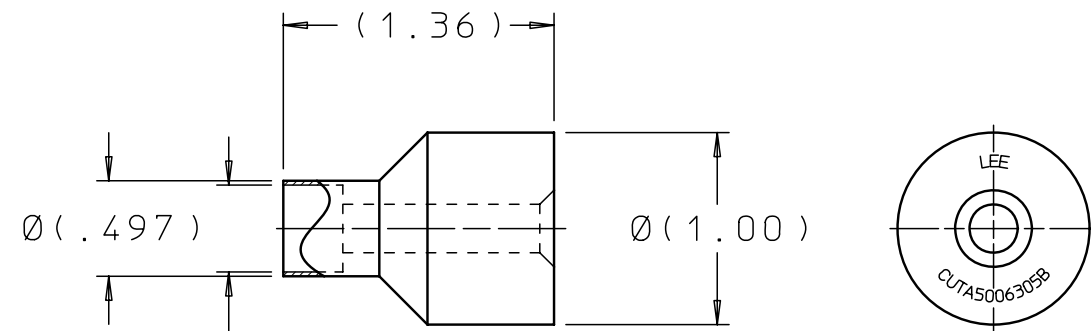


CUTA5006205B

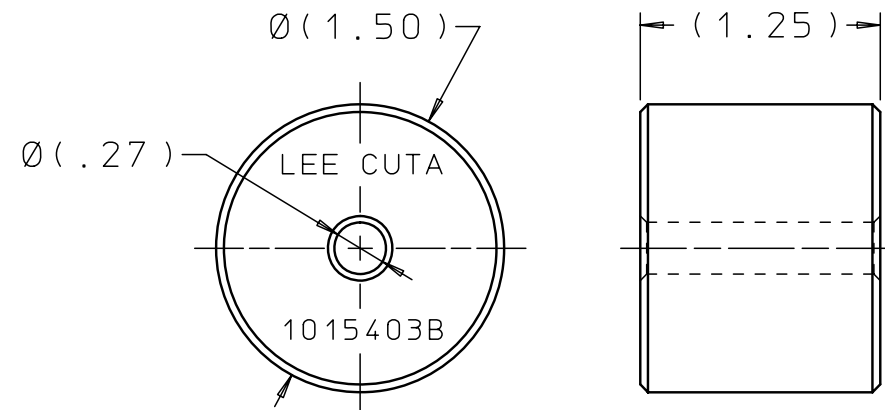
REV	DATE	BY	DESCRIPTION
A	10-05-82	DFW	INITIAL RELEASE
B	08-14-01	HM	REDRAWN TO CAD. BOLT WAS CUTX0101160A.
C	01-26-11	MC	ADDED PART DETAILS. UPDATED EXTR. BOLT.



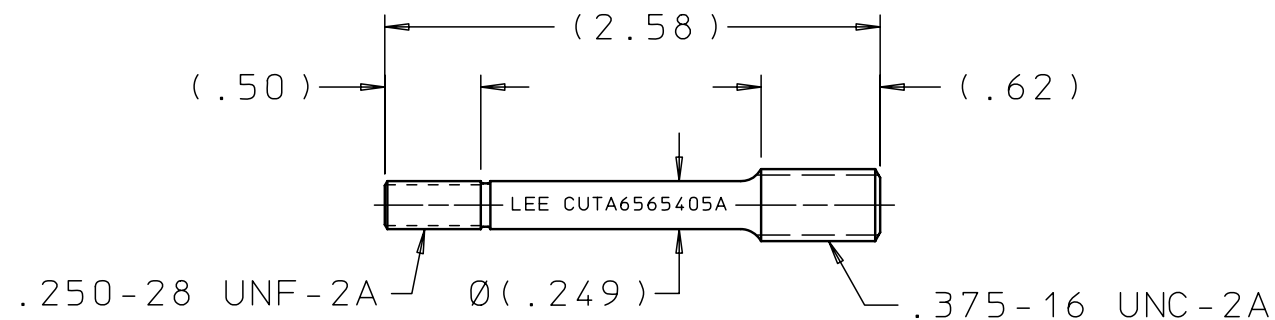
EXTRACTION BOLT



EXTRACTION SLEEVE



STRIKER



STUD

NOTES:

- FOR RFO PLUG EXTRACTION SEE THE LEE COMPANY PROCESS SPECIFICATION 203 SECTION IV.

PROPRIETARY ITEM

This document contains proprietary information and is submitted upon the express condition that the information contained herein will not be used directly or indirectly in any way detrimental to the interests of The Lee Company, and/or in violation of regulation DAR 7-104.9(a)(1 July 1974). et seq.

CUTD5006205
REFERENCE

DWG NO: CUTA5006205B	NOTES AND DIMENSIONS SHOWN HERE ON ARE FOR INSPECTION IDENTIFICATION ONLY. ALL MANUFACTURING RIGHTS RESERVED.	DRAWN BY: DFW	10-05-82	EXTRACTION SET LEE RFO PLUG		
	EXTERNAL CORNER RAD: INTERNAL FILLET RAD:	CHK'D BY: RJG	03-24-83			
	SURFACE FINISH ✓ ALL OVER DIMENSIONS ARE IN INCHES	APP'D BY: SEA	03-25-83	THE LEE COMPANY WESTBROOK, CT 06498		
		TOLERANCES 2 PLACES ±.015 3 PLACES ±.005 ANGLES ±5°	MAT:			
	FINISH:	SIZE	CAGE CODE	DWG NO.	REV	
		B	92555	CUTA5006205B	C	
DWG SCALE: NONE				SHEET 1 OF 1		