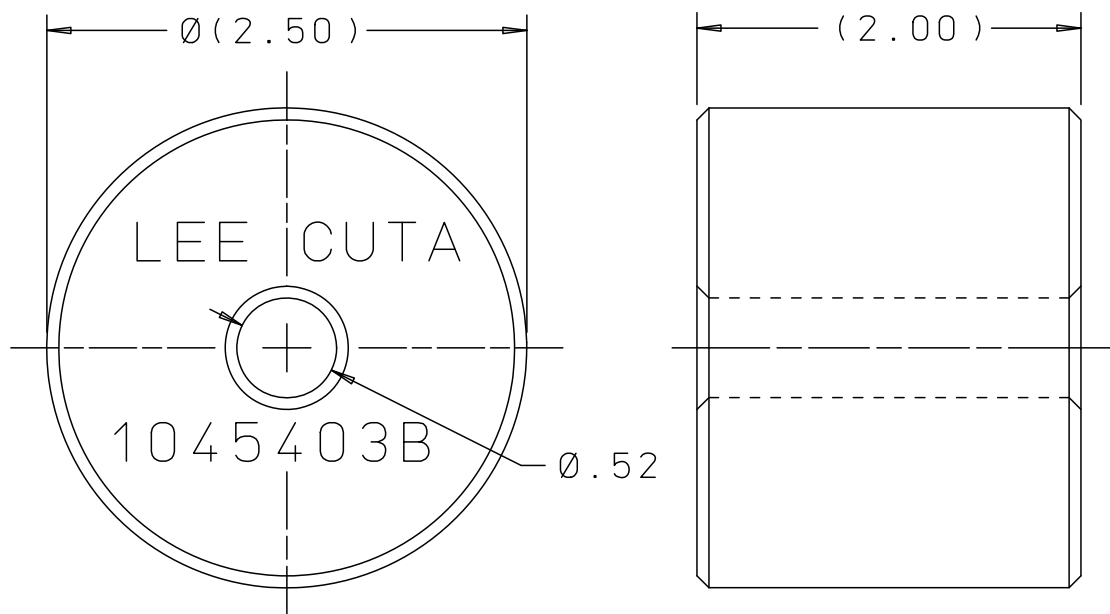
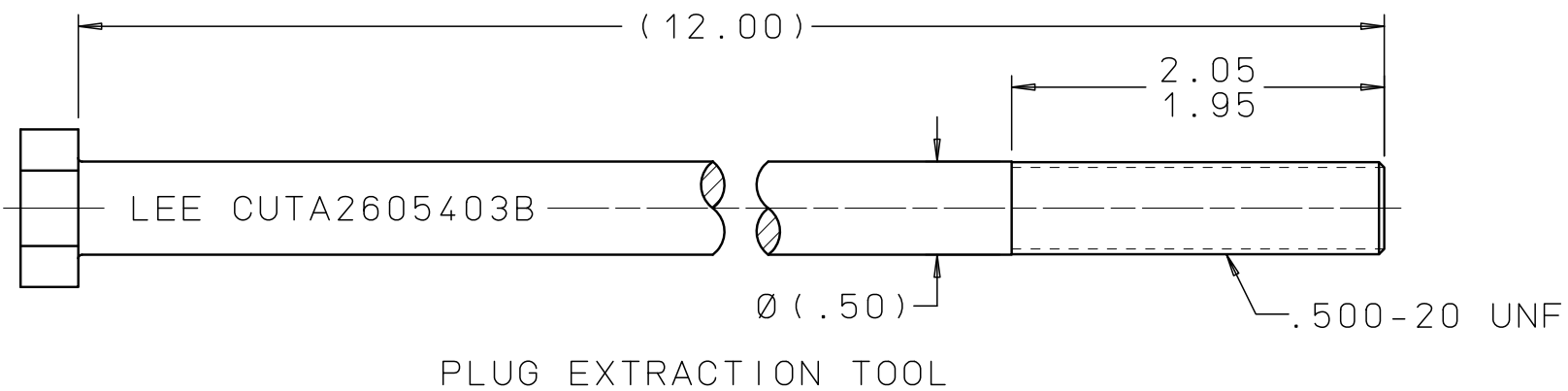
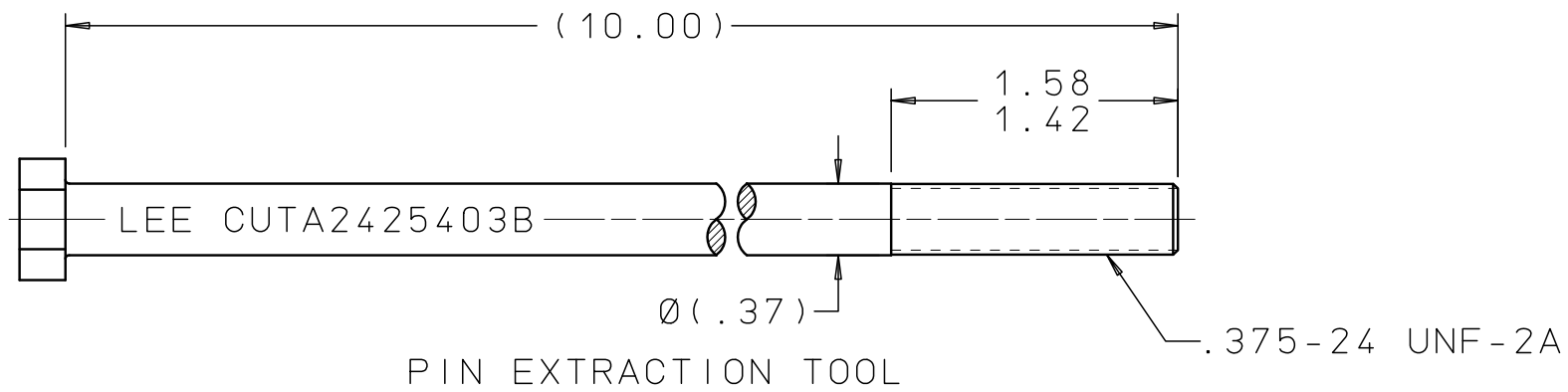
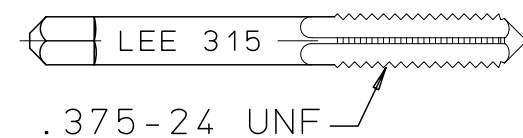


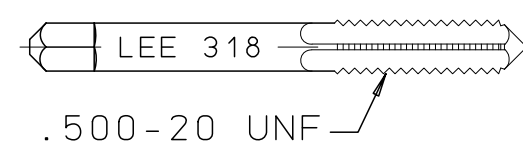
CUTA53 10 103B



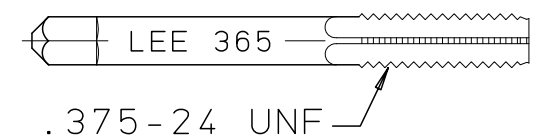
STRIKER



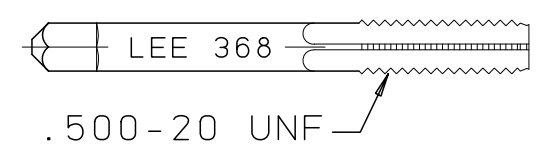
STARTER TAP
 PIN EXTRACTION



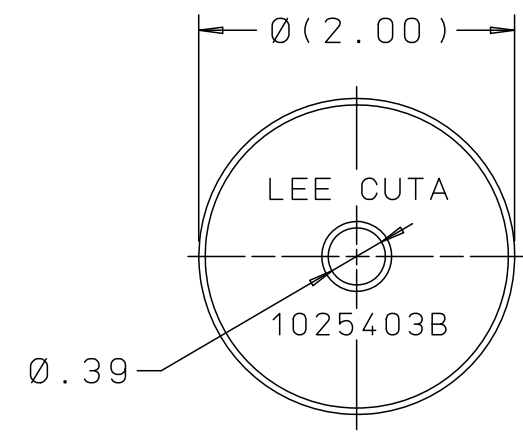
STARTER TAP
 PLUG EXTRACTION



BOTTOMING TAP
 PIN EXTRACTION



BOTTOMING TAP
 PLUG EXTRACTION



STRIKER

REV	DATE	BY	DESCRIPTION
B	03-15-12	KD	REMOVED ALL REV LTR FROM MARKINGS. PIN EXTR TOOL, REMOVED HEX. ADDED 2 FLATS. 1.58-1.42 WAS 1.585-1.425 & Ø (.37) WAS Ø (.375). PLUG EXTR TOOL, REMOVED HEX. ADDED 2 FLATS. 2.05-1.95 WAS 2.075-1.925 STRIKER, Ø (2.50) WAS Ø 2.50 & (2.00) WAS 2.00 STIKER, Ø (2.00) WAS Ø 2.00 & (1.38) WAS 1.38.

PROPRIETARY ITEM

This document contains proprietary information and is submitted upon the express condition that the information contained herein will not be used directly or indirectly in any way detrimental to the interests of The Lee Company, and/or in violation of regulation DAR 7-104.9(a)(1 July 1974). et seq.

CUTD5310103
 REFERENCE

DWG NO: CUTA5310103B	NOTES AND DIMENSIONS SHOWN HERE ON ARE FOR INSPECTION IDENTIFICATION ONLY. ALL MANUFACTURING RIGHTS RESERVED.	DRAWN BY: JDR	11-04-76	LEE PLUG EXTRACTION SET			
	EXTERNAL CORNER RAD: INTERNAL FILLET RAD:	CHK'D BY:					
	SURFACE FINISH ✓ ALL OVER DIMENSIONS ARE IN INCHES	APP'D BY: G L	11-10-76	THE LEE COMPANY WESTBROOK, CT 06498			
	TOLERANCES 2 PLACES 3 PLACES ANGLES ±.015 ±.005 ±5°	MAT:				SIZE B	CAGE CODE 92555
		H.T.:		DWG SCALE: NONE		SHEET 1 OF 1	
		FINISH:					