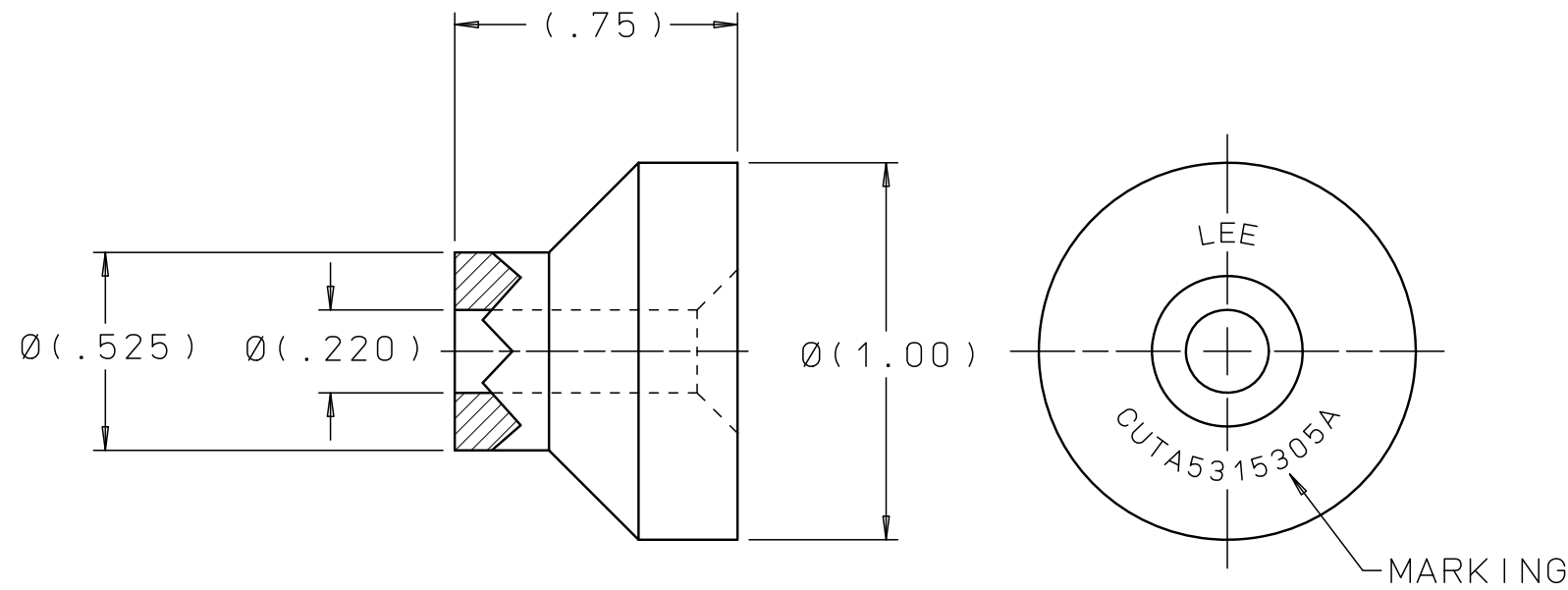
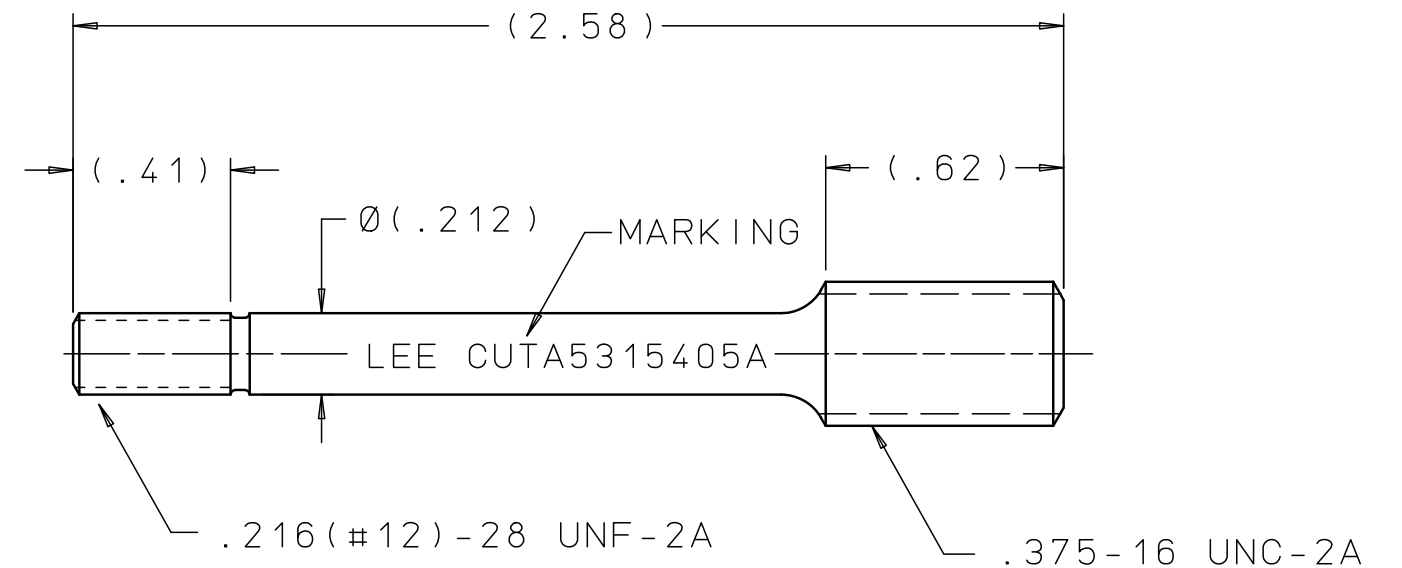


CUTA5315205A

REV	DATE	BY	DESCRIPTION
C	07-01-81	TD	REDRAWN. REVISED THREAD CALLOUT.
D	09-23-82	TD	.212 DIA WAS .214
2	06-09-04	KD	REDRAWN TO CAD.
3	01-11-11	KD	ADDED MARKINGS. REF ALL DIM'S.



PUSHER



STUD

PROPRIETARY ITEM

This document contains proprietary information and is submitted upon the express condition that the information contained herein will not be used directly or indirectly in any way detrimental to the interests of The Lee Company, and/or in violation of regulation DAR 7-104.9(a)(1 July 1974), et seq.

CUTD5315205
REFERENCE

DWG NO: CUTA5315205A

NOTES AND DIMENSIONS SHOWN HERE ON ARE FOR INSPECTION IDENTIFICATION ONLY. ALL MANUFACTURING RIGHTS RESERVED.

EXTERNAL CORNER RAD:
INTERNAL FILLET RAD:

SURFACE FINISH \checkmark ALL OVER
DIMENSIONS ARE IN INCHES

TOLERANCES
2 PLACES $\pm .015$ 3 PLACES $\pm .005$ ANGLES $\pm 5^\circ$

DRAWN BY:	P S	02-05-68
CHK'D BY:	J S	02-08-68
APP'D BY:	G L	02-09-68

MAT:

H.T.:

FINISH:

TOOL SET
RFO HYD INSTALLATION TOOL



THE LEE COMPANY
WESTBROOK, CT 06498

SIZE	CAGE CODE	DWG NO.	REV
B	92555	CUTA5315205A	D

DWG SCALE: NONE SHEET 1 OF 1