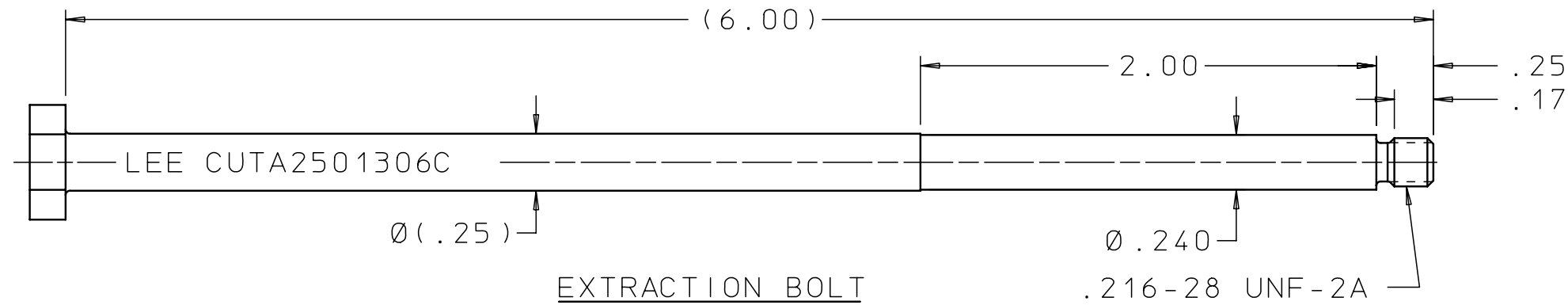
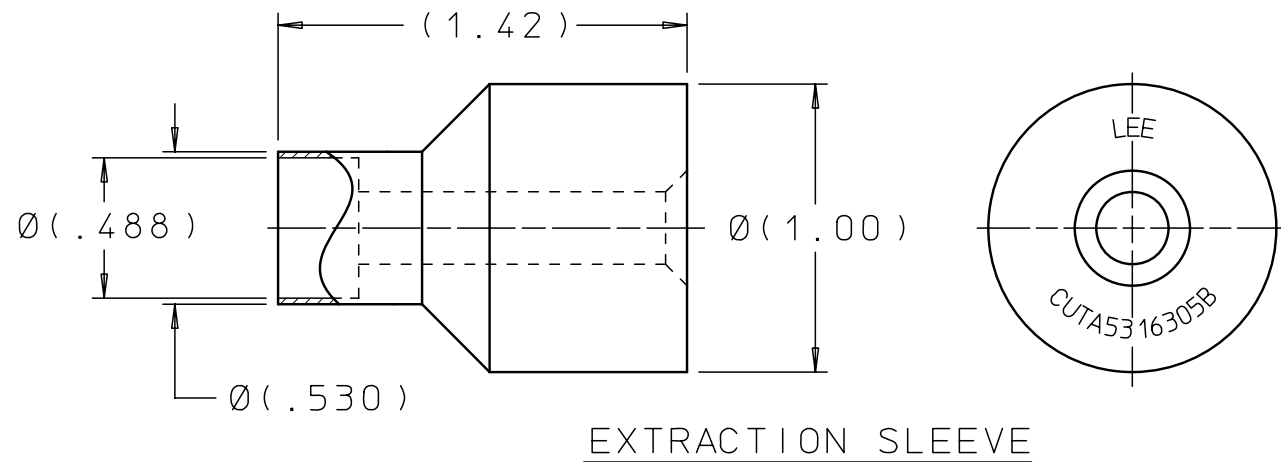


CUTA5316205B

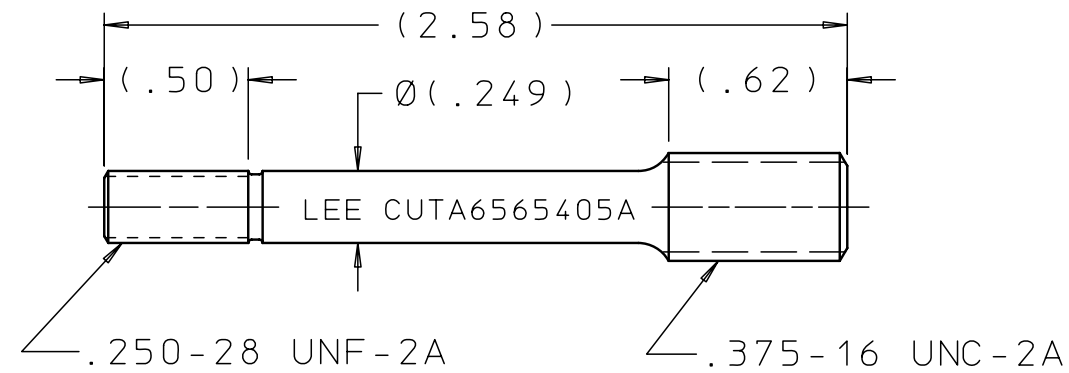
REV	DATE	BY	DESCRIPTION
A	10-05-82	DFW	INITIAL RELEASE
B	08-14-01	HM	REDRAWN TO CAD. BOLT WAS CUTX0101160A.
C	01-25-11	MC	ADDED PART DETAILS. UPDATED EXT. BOLT.



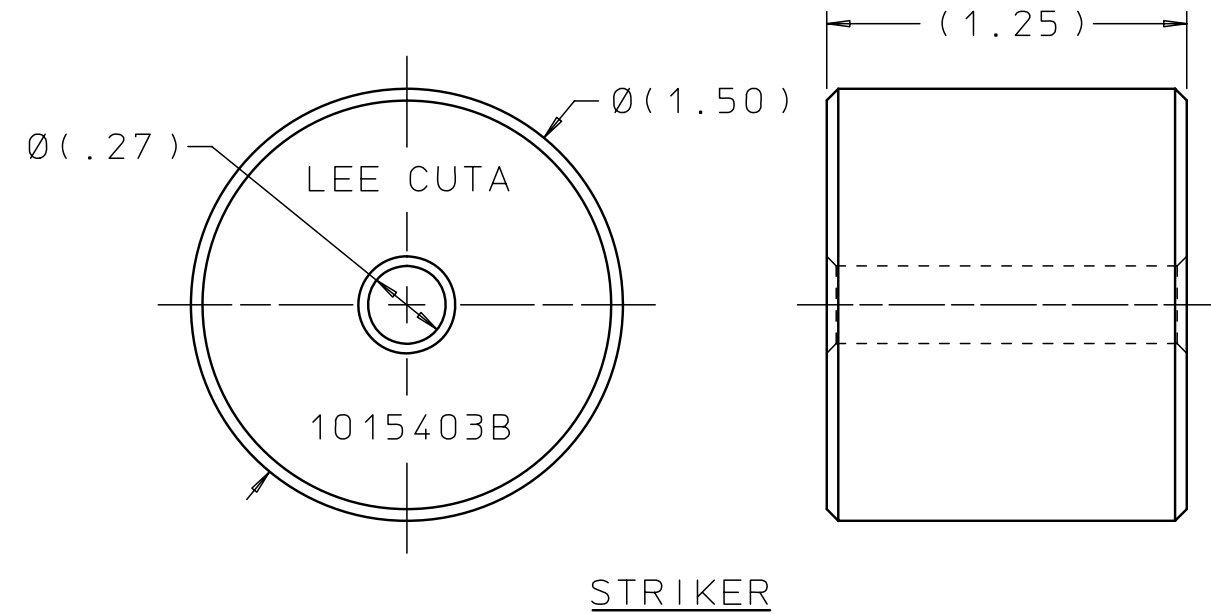
EXTRACTION BOLT



EXTRACTION SLEEVE



STUD



STRIKER

NOTES:

- FOR RFO PLUG EXTRACTION SEE THE LEE COMPANY PROCESS SPECIFICATION 203 SECTION IV.

PROPRIETARY ITEM

This document contains proprietary information and is submitted upon the express condition that the information contained herein will not be used directly or indirectly in any way detrimental to the interests of The Lee Company, and/or in violation of regulation DAR 7-104.9(a)(1 July 1974), et seq.

CUTD5316205  
REFERENCE

DWG NO:  
CUTA5316205B

NOTES AND DIMENSIONS SHOWN HERE ON ARE FOR INSPECTION IDENTIFICATION ONLY. ALL MANUFACTURING RIGHTS RESERVED.

EXTERNAL CORNER RAD:  
INTERNAL FILLET RAD:

SURFACE FINISH ✓ ALL OVER  
DIMENSIONS ARE IN INCHES

TOLERANCES  
2 PLACES ±.015 3 PLACES ±.005 ANGLES ±5°

DRAWN BY: DFW 10-05-82

CHK'D BY: RJG 03-24-83

APPD BY: SEA 03-25-83

MAT:

H.T.:

FINISH:

EXTRACTION SET LEE RFO PLUG



THE LEE COMPANY  
WESTBROOK, CT 06498

SIZE	CAGE CODE	DWG NO.	REV
B	92555	CUTA5316205B	C

DWG SCALE: NONE

SHEET 1 OF 1