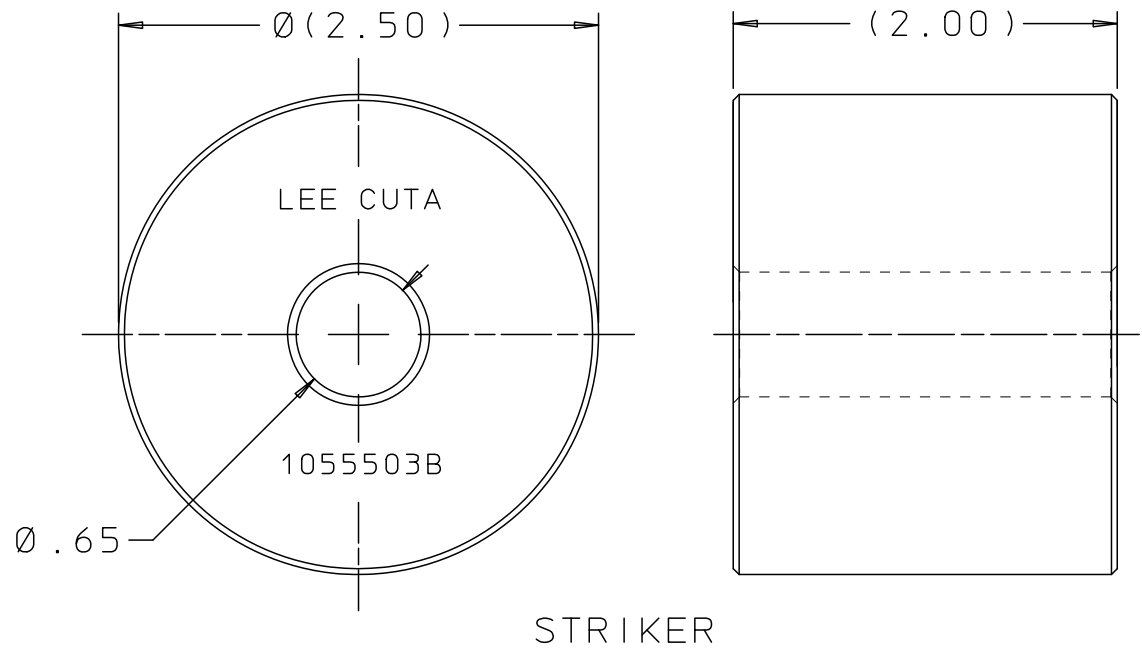
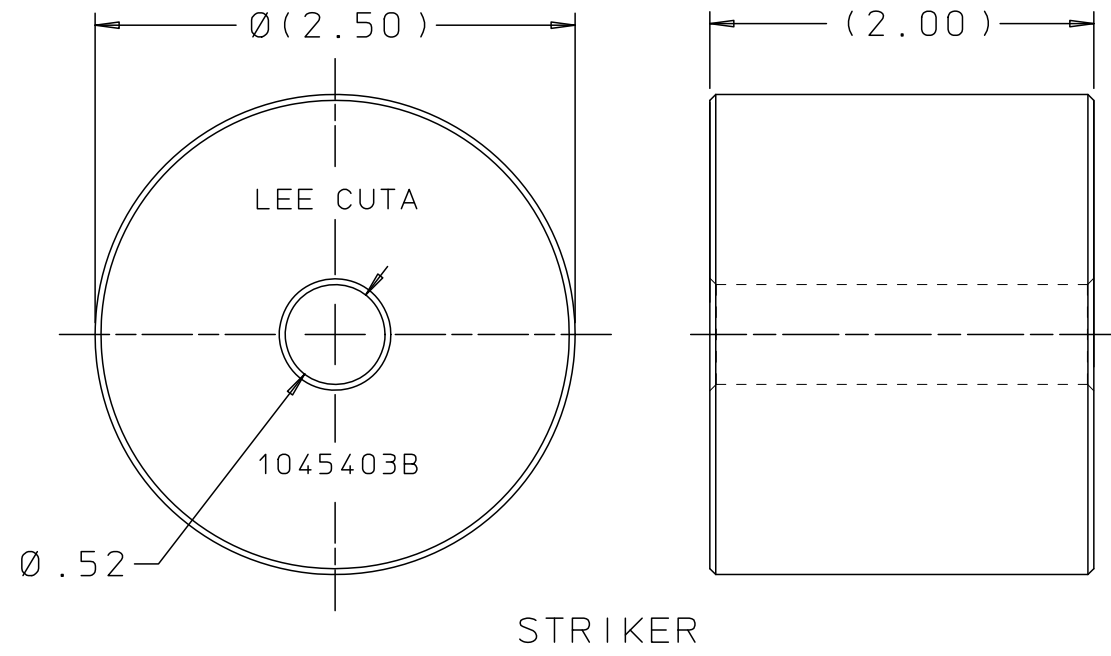
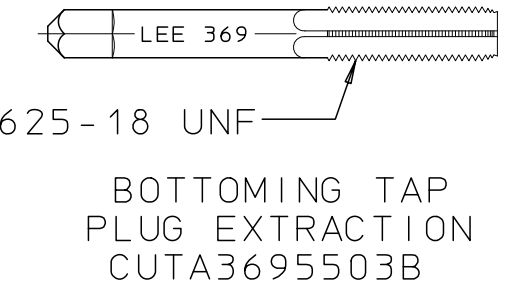
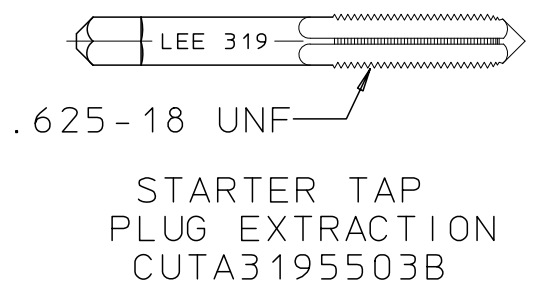
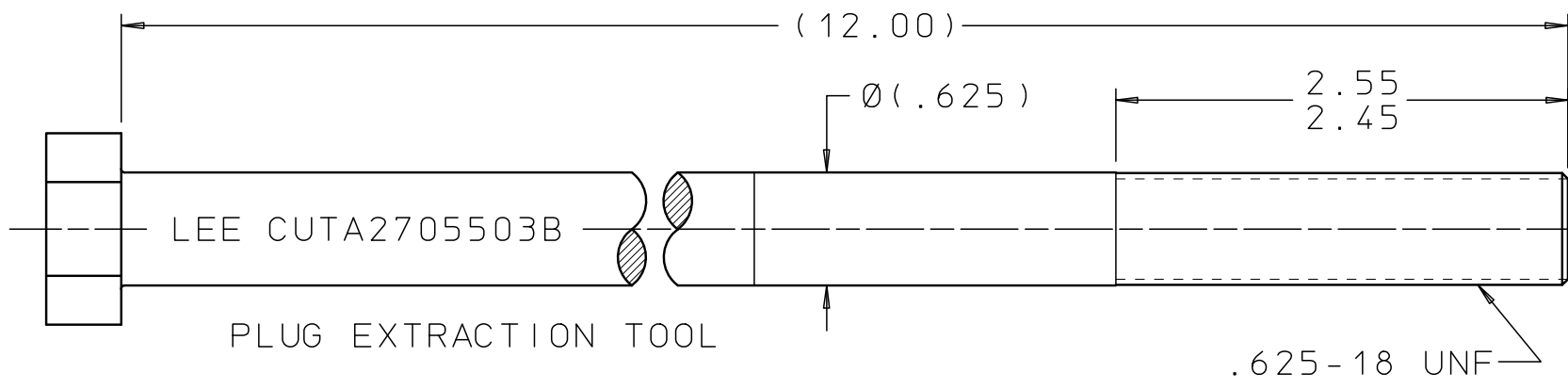
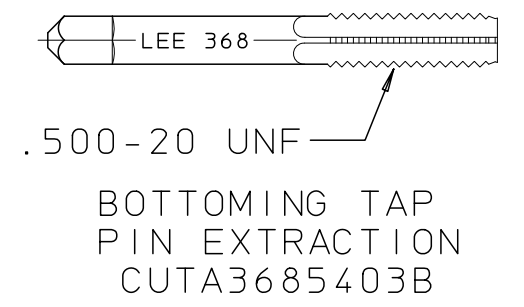
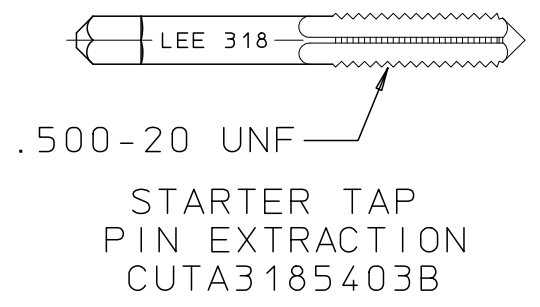
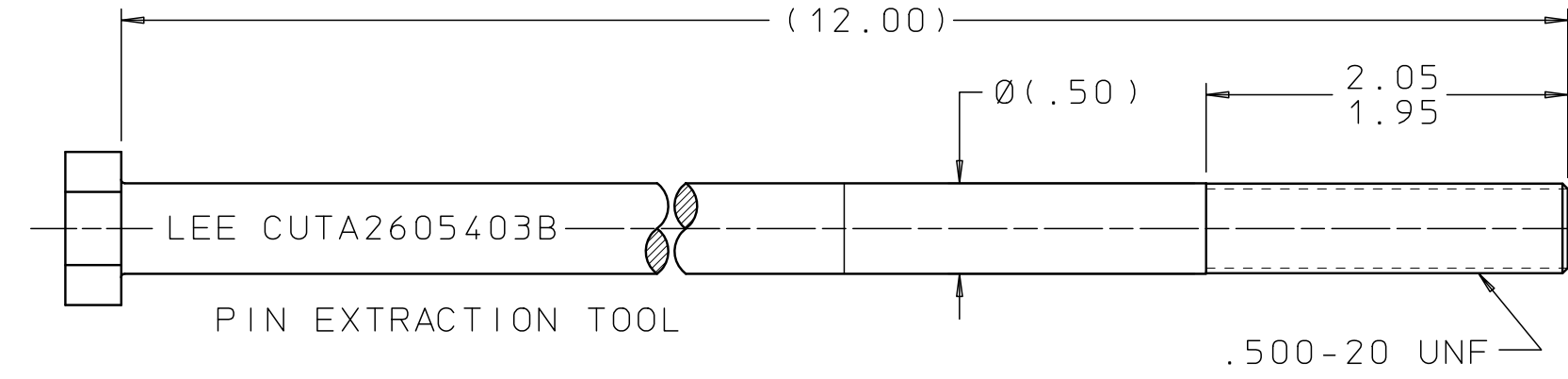


# CUTA6560103B

REV	DATE	BY	DESCRIPTION
B	06-12-13	KD	PIN & PLUG EXTR TOOL REMOVED HEX, ADDED TWO FLATS. REMOVED ALL REV LETTERS FROM MARKING. 2.05- 1.95 WAS 2.075-1.925 2.55-2.45 WAS 2.575 -2.425.



**PROPRIETARY ITEM**

This document contains proprietary information and is submitted upon the express condition that the information contained herein will not be used directly or indirectly in any way detrimental to the interests of The Lee Company, and/or in violation of regulation DAR 7-104.9(a)(1 July 1974), et seq.

CUTD6560103  
REFERENCE

DWG NO: CUTA6560103B	NOTES AND DIMENSIONS SHOWN HERE ON ARE FOR INSPECTION IDENTIFICATION ONLY. ALL MANUFACTURING RIGHTS RESERVED.	DRAWN BY: JDR	11-04-76	LEE TOOL SET, EXTRACTION	
	EXTERNAL CORNER RAD: INTERNAL FILLET RAD:	CHK'D BY:			
	SURFACE FINISH ✓ ALL OVER DIMENSIONS ARE IN INCHES	APPD BY: G L	11-10-76		
	TOLERANCES 2 PLACES ±.015    3 PLACES ±.005    ANGLES ±5°	MAT:			
	H.T.:		SIZE	CAGE CODE	DWG NO.
	FINISH:		B	92555	CUTA6560103B
			DWG SCALE: NONE		SHEET 1 OF 1

