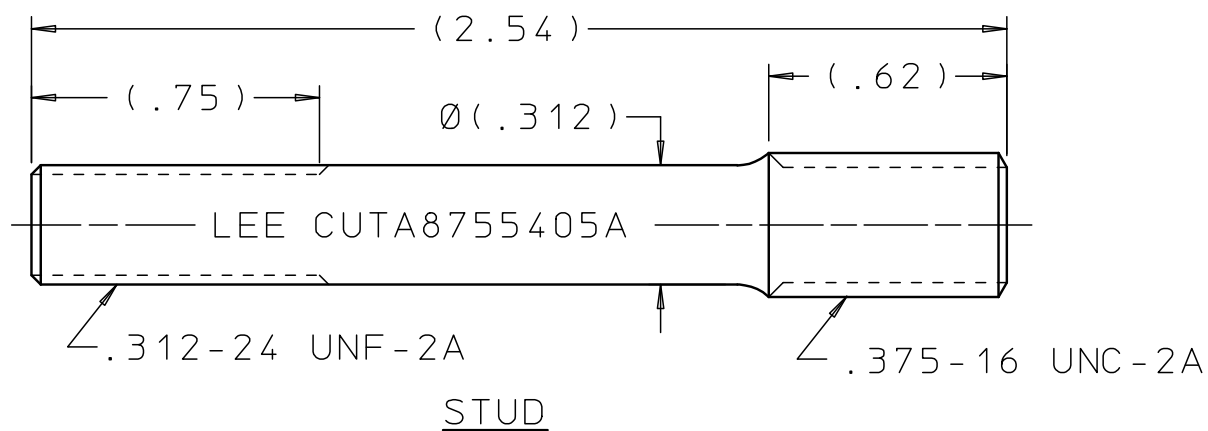
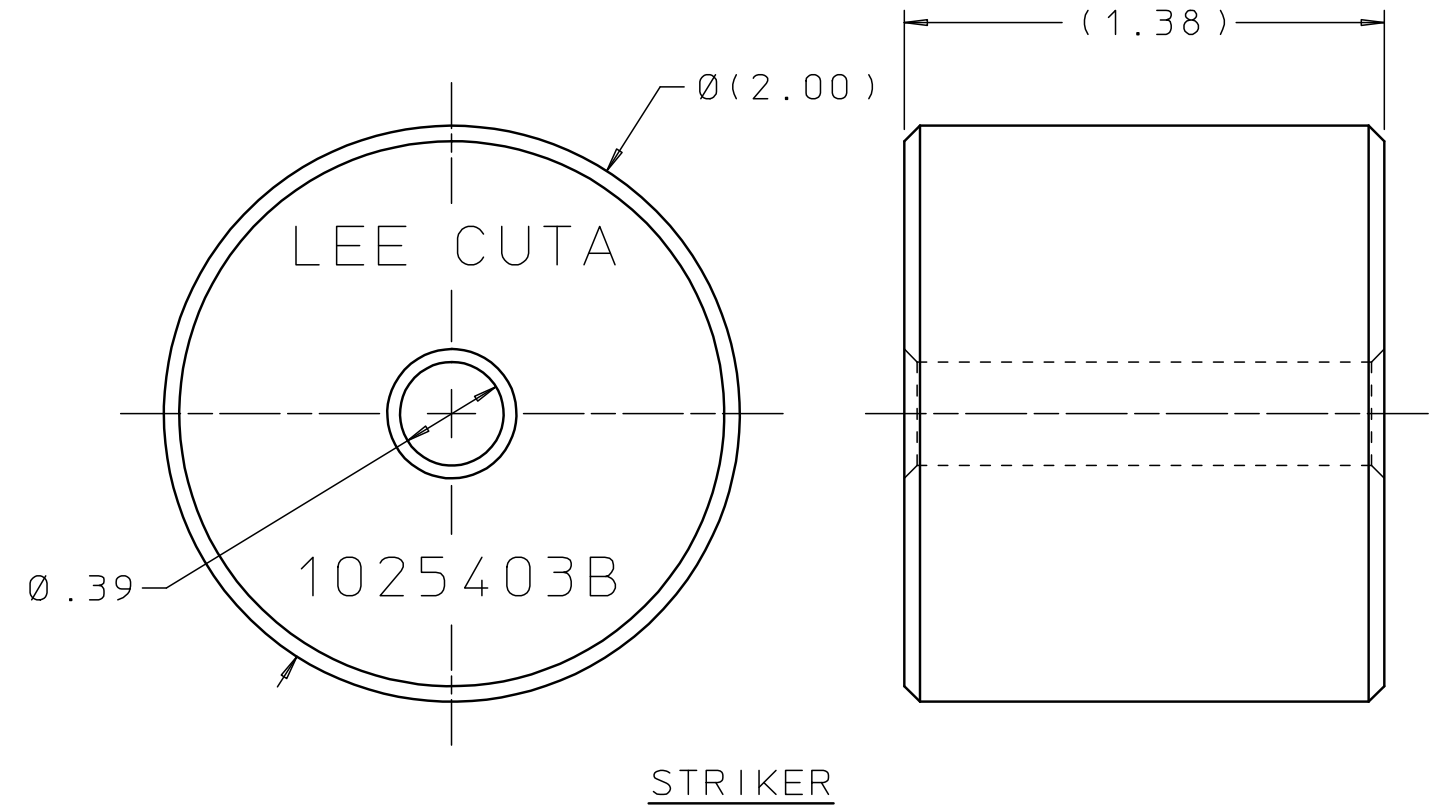
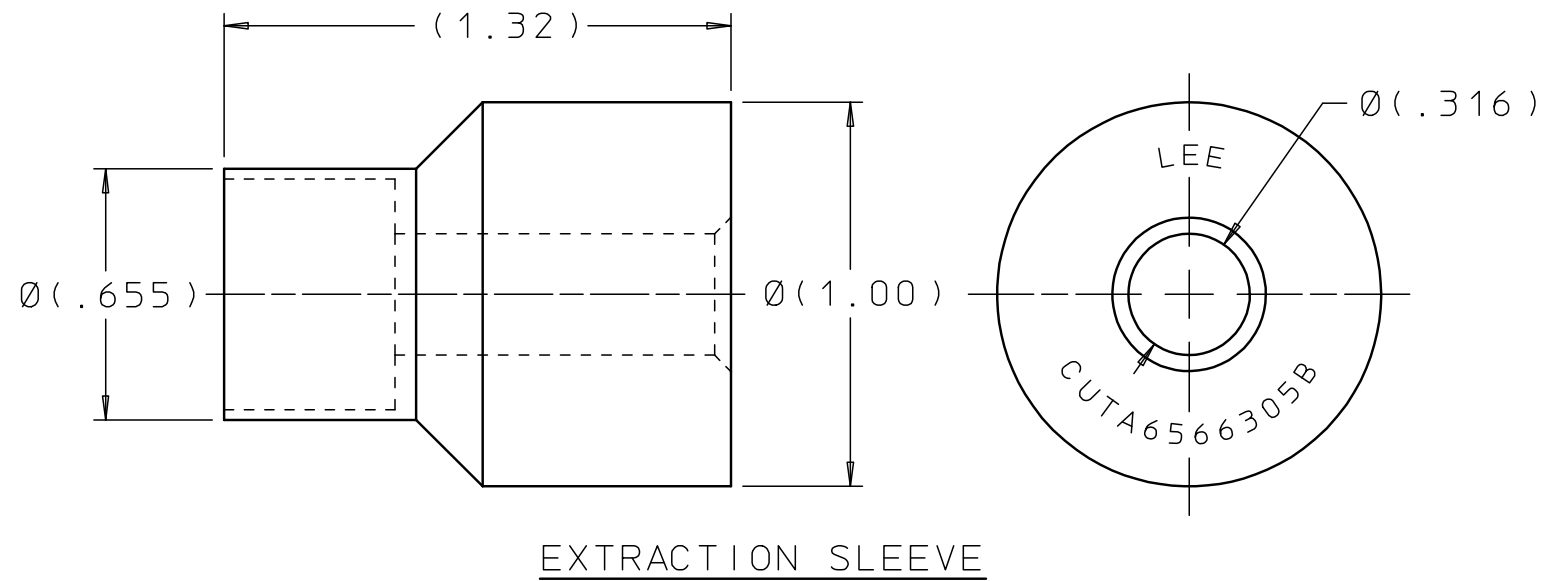
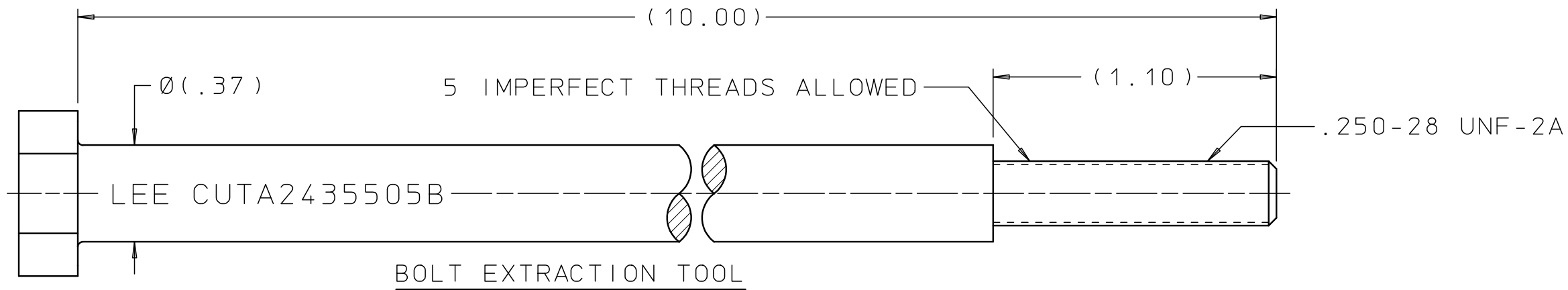


CUTA6566205B

| REV | DATE | BY | DESCRIPTION |
|-----|----------|-----|---|
| A | 10-05-89 | DFW | INITIAL RELEASE |
| 2 | 12-06-99 | HM | REDRAWN TO CAD |
| 3 | 04-14-08 | KD | ADDED MARKING TO EXTRACTION SLEEVE, STUD AND STRIKER. UPDATED MARKING ON BOLT EXTR TOOL. |
| B | 07-25-14 | KD | BOLT EXTR TOOL; REMOVED HEX, ADDED 2 FLATS. EXTR SLEEVE ADDED Ø(.655). STUD ADDED (.62). UPDATED NOTES. |



NOTES:

- FOR RFO PLUG EXTRACTION SEE LEE COMPANY PROCESS SPECIFICATION 203 SECTION IV.

PROPRIETARY ITEM

This document contains proprietary information and is submitted upon the express condition that the information contained herein will not be used directly or indirectly in any way detrimental to the interests of The Lee Company, and/or in violation of regulation DAR 7-104.9(a)(1 July 1974). et seq.

CUTD6566205
REFERENCE

DWG NO: CUTA6566205B

NOTES AND DIMENSIONS SHOWN HERE ON ARE FOR INSPECTION IDENTIFICATION ONLY. ALL MANUFACTURING RIGHTS RESERVED.

EXTERNAL CORNER RAD:
INTERNAL FILLET RAD:

SURFACE FINISH ✓ ALL OVER
DIMENSIONS ARE IN INCHES

TOLERANCES
2 PLACES ±.015 3 PLACES ±.005 ANGLES ±5°

DRAWN BY: DFW 10-05-82

CHK'D BY: RJG 03-30-83

APPD BY: SEA 03-30-83

MAT:

H.T.:

FINISH:

LEE PLUG,
EXTRACTION SET RFO

LEE THE LEE COMPANY
WESTBROOK, CT 06498

| SIZE | CAGE CODE | DWG NO. | REV |
|------|-----------|--------------|-----|
| B | 92555 | CUTA6566205B | B |

DWG SCALE: NONE SHEET 1 OF 1