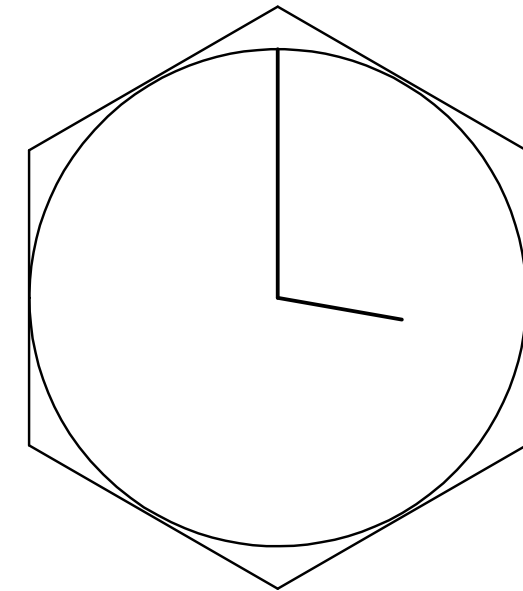
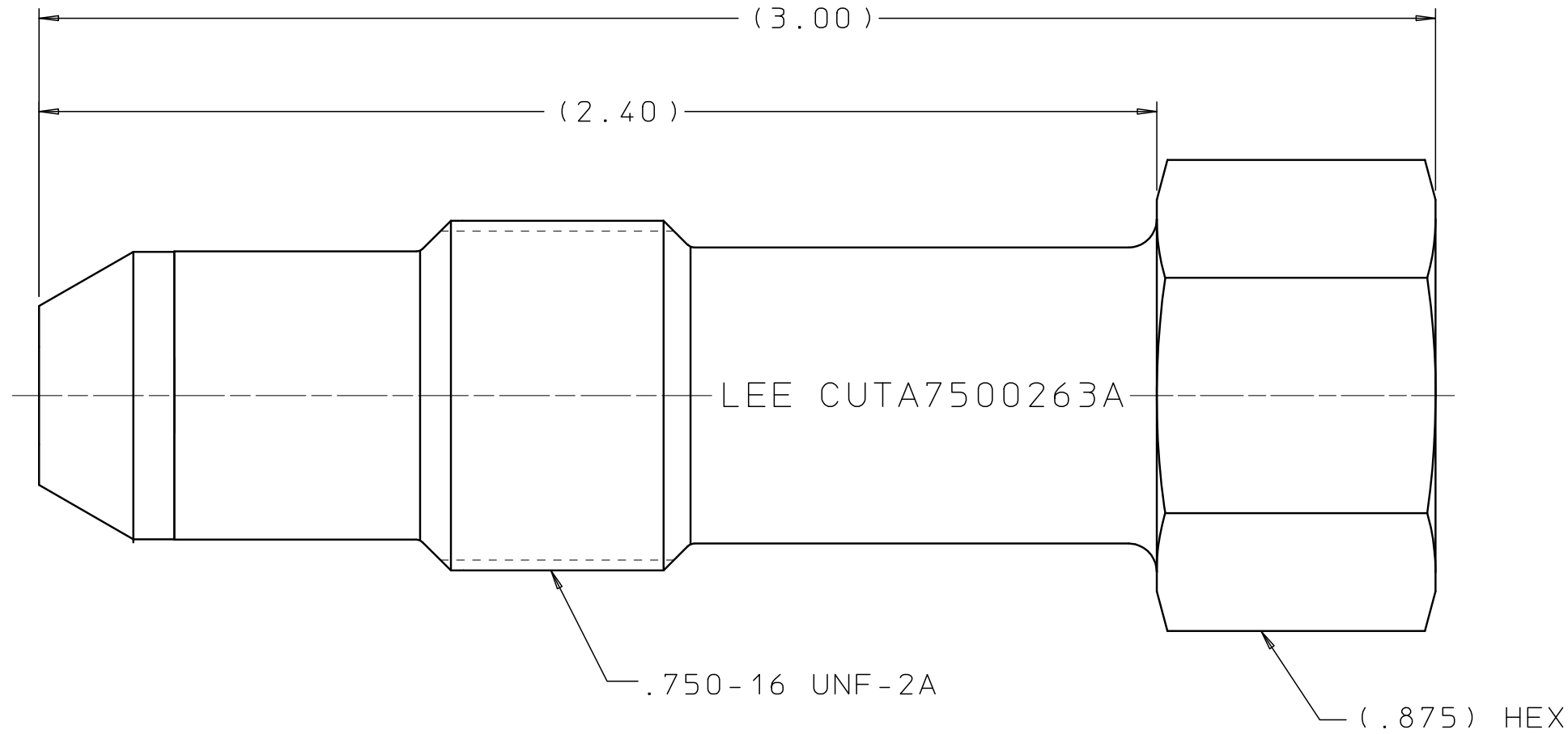


CUTA7500263A

REV	DATE	BY	DESCRIPTION
A	12-27-06	HM	INITIAL RELEASE
2	01-28-10	KD	CHANGED MARKING ORIENTATION.
B	07-02-15	KD	REDESIGNED & RENAMED
C	04-16-18	KD	REMOVED THRUST WASHER.
2	08-28-18	KD	ADDED ROTATION MARKING VIEW.




ROTATION MARKING VIEW

**PROPRIETARY ITEM**

This document contains confidential, trade secret information which is proprietary to The Lee Company, and is submitted upon the express condition that neither it, nor our products, will be used directly or indirectly in any way detrimental to the interests of The Lee Company, such as disclosure to others or replication of our products, and/or in violation of 18 U.S.C. 1905 (TSA), 5 U.S.C. 552 (FOIA), E.O.12600 of 6/23/87, 18 U.S.C. 1832, and C.G.S.A. (CT) Chapter 625 sec. 35-50 thru 35-58.

CUTD7500263
REFERENCE

DWG NO: CUTA7500263A	UNLESS OTHERWISE SPECIFIED	DRAWN BY: H M	12-27-06	LEE TOOL, COINING, .750-16 DUAL SEALING AFO	
	EXTERNAL CORNER RAD: INTERNAL FILLET RAD:	CHK'D BY: DEP	01-03-07	 <b>THE LEE COMPANY</b> WESTBROOK, CT 06498	
	SURFACE FINISH ✓ ALL OVER	APP'D BY: B B	01-05-07		
	DIMENSIONS ARE IN INCHES	MAT:		SIZE: B	CAGE CODE: 92555
TOLERANCES 2 PLACES ±.01    3 PLACES ±.003    ANGLES ±2°	H.T.:		REV: C		DWG SCALE: NONE
FINISH:				SHEET 1 OF 1	