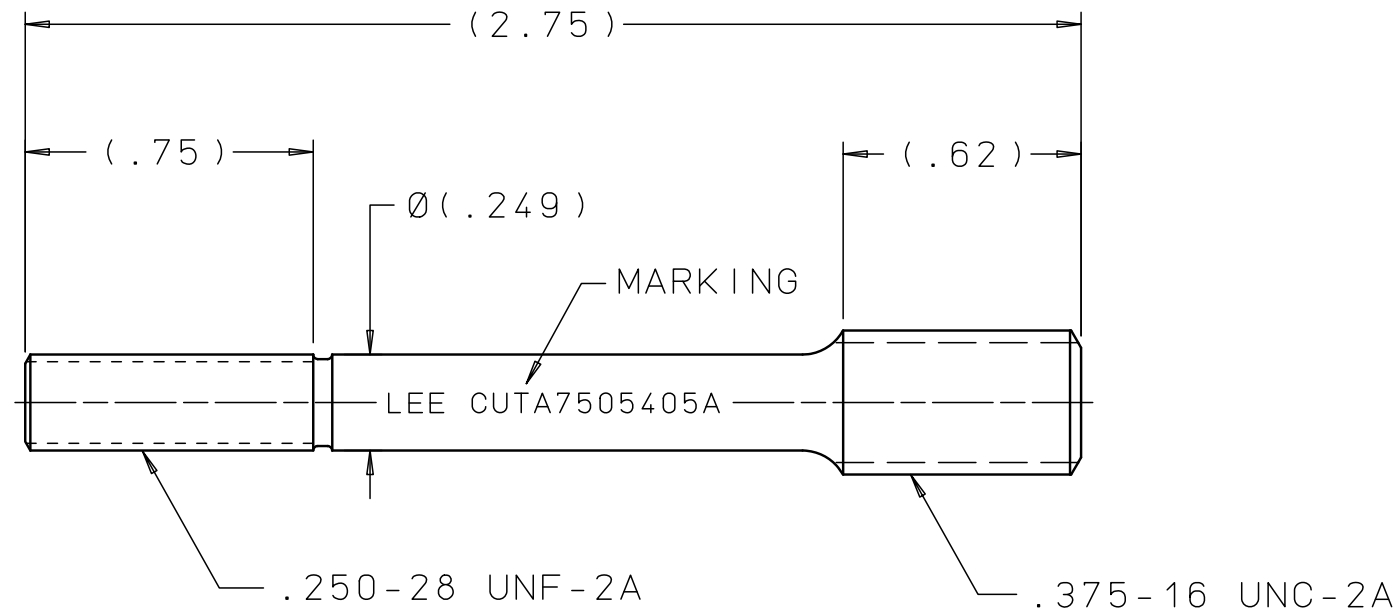
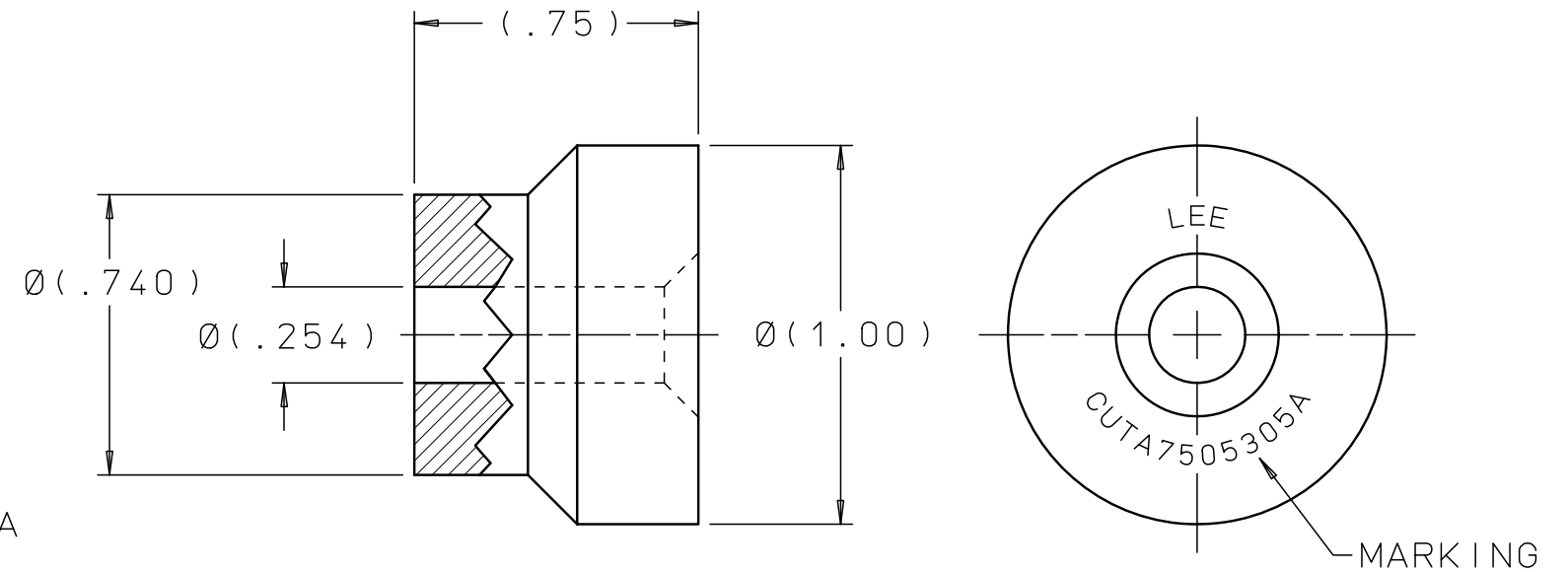


CUTA7505205A

REV	DATE	BY	DESCRIPTION
A	01-30-75	KMN	P/N WAS 75052
2	10-12-10	KD	REDRAWN TO CAD. ADDED MARKINGS.



STUD



PUSHER

**PROPRIETARY ITEM**

This document contains proprietary information and is submitted upon the express condition that the information contained herein will not be used directly or indirectly in any way detrimental to the interests of The Lee Company, and/or in violation of regulation DAR 7-104.9(a)(1 July 1974), et seq.

CUTD7505205
REFERENCE

DWG NO: CUTA7505205A	NOTES AND DIMENSIONS SHOWN HERE ON ARE FOR INSPECTION IDENTIFICATION ONLY. ALL MANUFACTURING RIGHTS RESERVED.	DRAWN BY: P S 02-01-68	TOOL SET-RFO HYD INSTAL TOOL		
	EXTERNAL CORNER RAD: INTERNAL FILLET RAD:	CHK'D BY: JFMc 02-08-68	THE LEE COMPANY WESTBROOK, CT 06498		
	SURFACE FINISH ✓ ALL OVER DIMENSIONS ARE IN INCHES	APPD BY: EWL 02-09-68	SIZE B	CAGE CODE 92555	DWG NO. CUTA7505205A
	TOLERANCES 2 PLACES ±.015 3 PLACES ±.005 ANGLES ±5°	MAT: H.T.: FINISH:	DWG SCALE: NONE		REV A
				SHEET 1 OF 1	