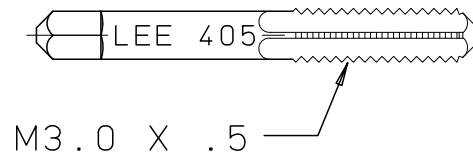
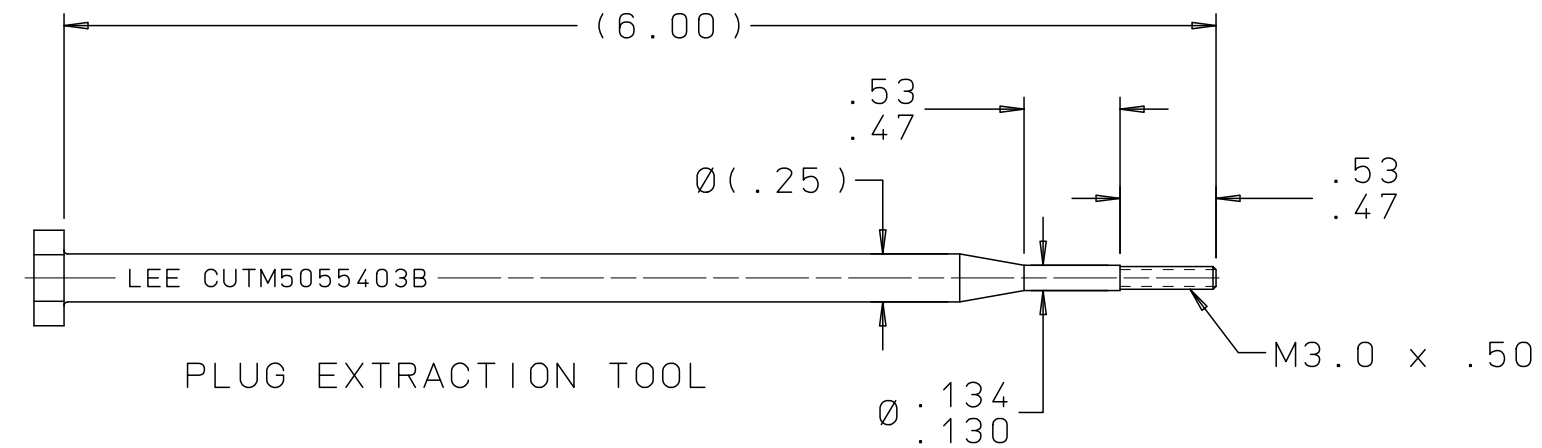
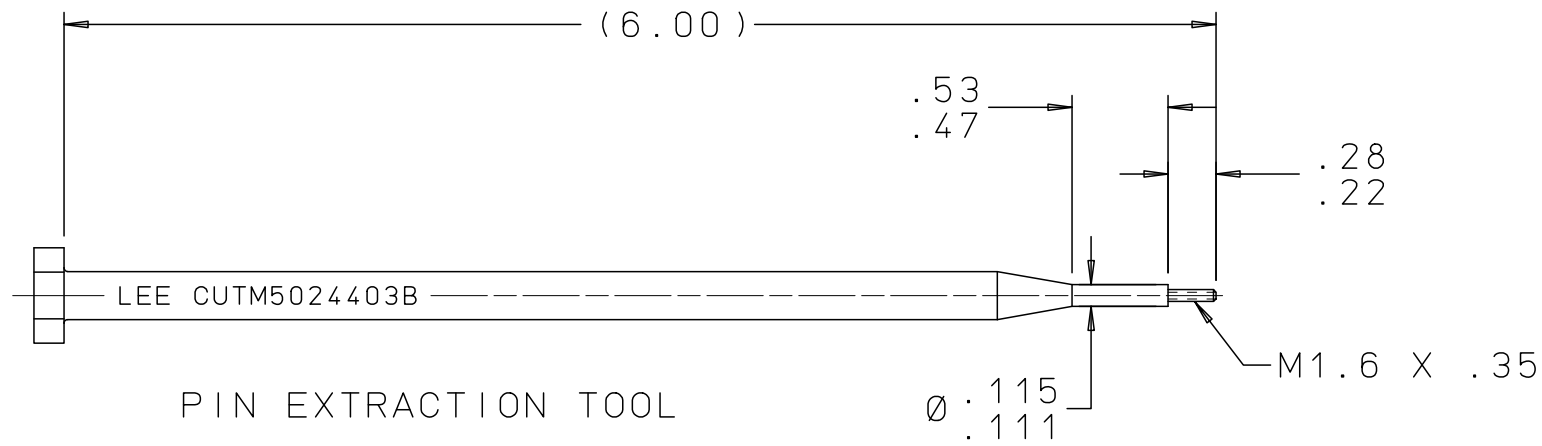
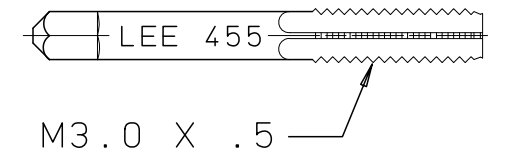


CUTM0350 103B

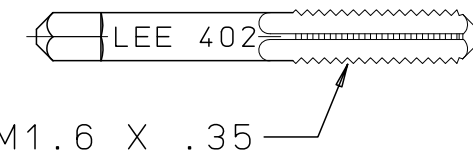
REV	DATE	BY	DESCRIPTION
A2	04-03-08	KD	REDRAWN TO CAD
B	03-22-12	KD	PIN EXTR TOOL; REMOVED HEX. ADDED 2 FLATS & .53-.47. Ø.115-.111 WAS Ø.113 PLUG EXTR TOOL; REMOVED HEX. ADDED 2 FLATS & .53-.47. Ø.134-.130 WAS Ø.132 STRIKER Ø(1.50) WAS Ø1.50 & (1.25) WAS 1.25.



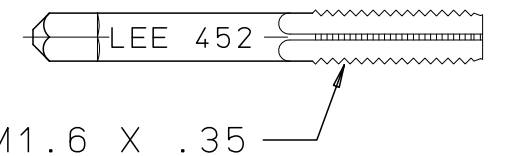
STARTER TAP
PLUG EXTRACTION
CUTM4055403B



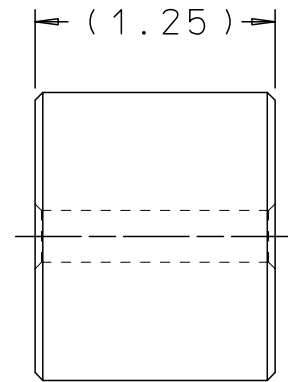
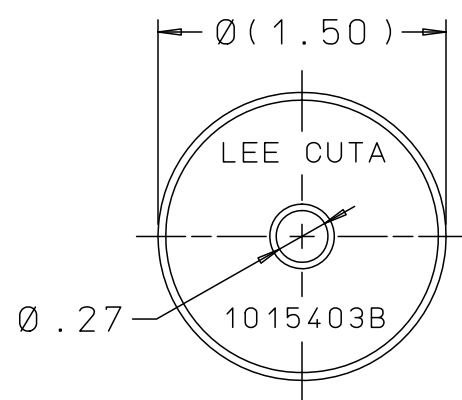
BOTTOMING TAP
PLUG EXTRACTION
CUTM4555403B



STARTER TAP
PIN EXTRACTION
CUTM4024403B



BOTTOMING TAP
PIN EXTRACTION
CUTM4524403B



STRIKER

FOR EXTRACTION OF LEE 3.5 MM PLUG.

PROPRIETARY ITEM

This document contains proprietary information and is submitted upon the express condition that the information contained herein will not be used directly or indirectly in any way detrimental to the interests of The Lee Company, and/or in violation of regulation DAR 7-104.9(a)(1 July 1974). et seq.

CUTD0200120
REFERENCE

DWG NO: CUTM0350 103B

NOTES AND DIMENSIONS SHOWN HERE ON ARE FOR INSPECTION IDENTIFICATION ONLY. ALL MANUFACTURING RIGHTS RESERVED.

EXTERNAL CORNER RAD:
INTERNAL FILLET RAD:

SURFACE FINISH ✓ ALL OVER
DIMENSIONS ARE IN INCHES

TOLERANCES
2 PLACES ±.015 3 PLACES ±.005 ANGLES ±5°

DRAWN BY: T D 12-16-80

CHK'D BY: RJG 01-27-81

APPD BY: SEA 01-30-81

MAT:

H.T.:

FINISH:

LEE TOOL SET, METRIC PLUG EXTRACTION



THE LEE COMPANY
WESTBROOK, CT 06498

SIZE	CAGE CODE	DWG NO.	REV
B	92555	CUTM0350103B	B

DWG SCALE: NONE SHEET 1 OF 1