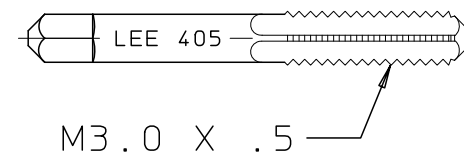
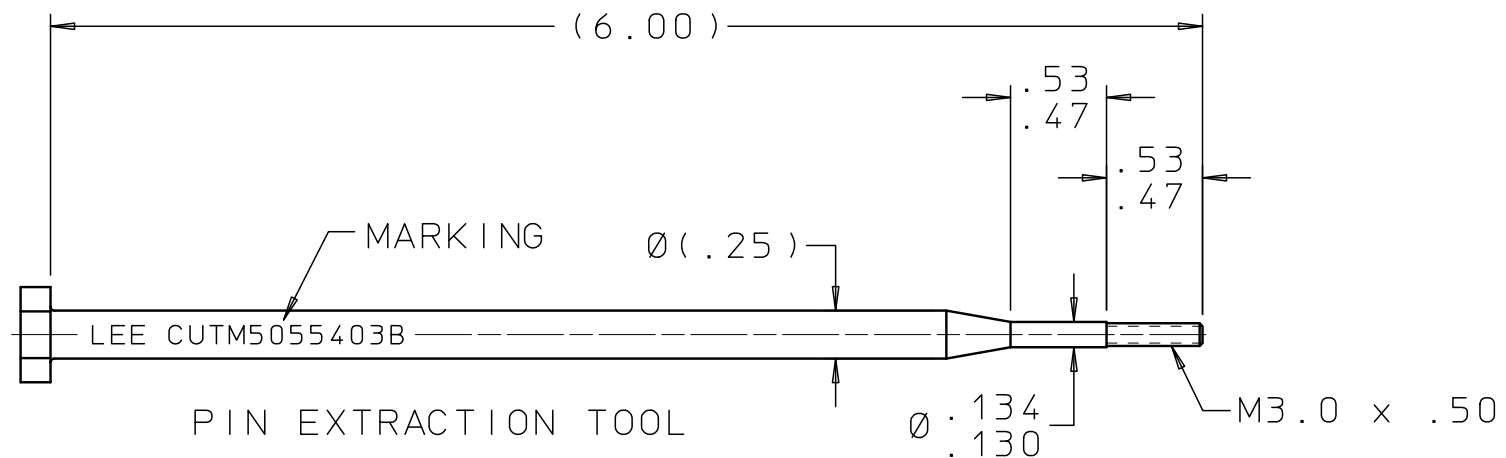
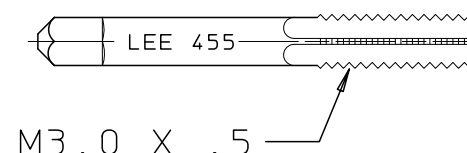


# CUTM0450103B

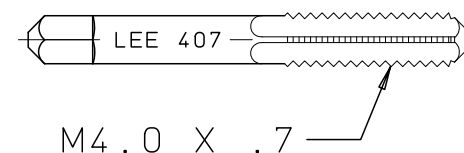
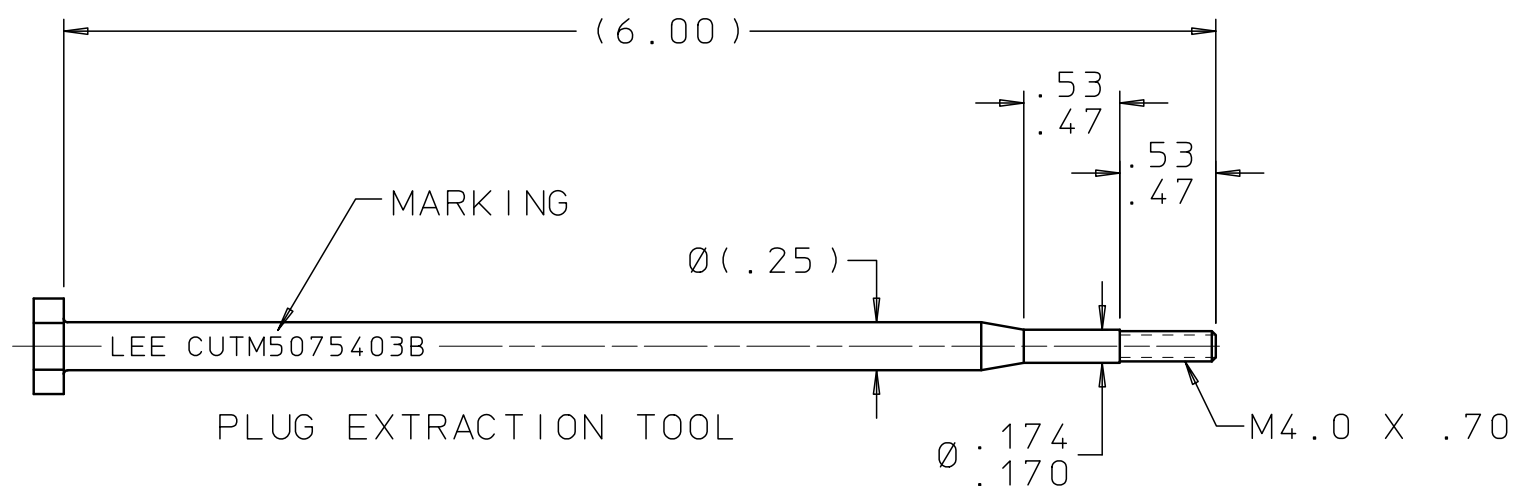
REV	DATE	BY	DESCRIPTION
A3	02-08-08	KD	REDRAWN TO CAD
B	11-16-12	KD	PIN EXTR TOOL; REMOVED HEX, ADDED 2 FLATS. (2X) .53-.47 WAS (.50) & Ø.134- .130 WAS Ø.132 PLUG EXTR TOOL; REMOVED HEX, ADDED 2 FLATS. (2X) .53- .47 WAS (.50) & Ø.174-.170 WAS Ø(.172). STRIKER; ADDED Ø(1.50).



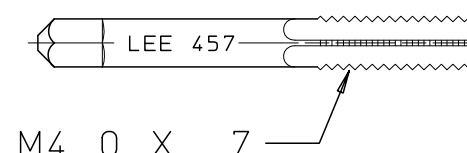
STARTER TAP  
PIN EXTRACTION  
CUTM4055403B



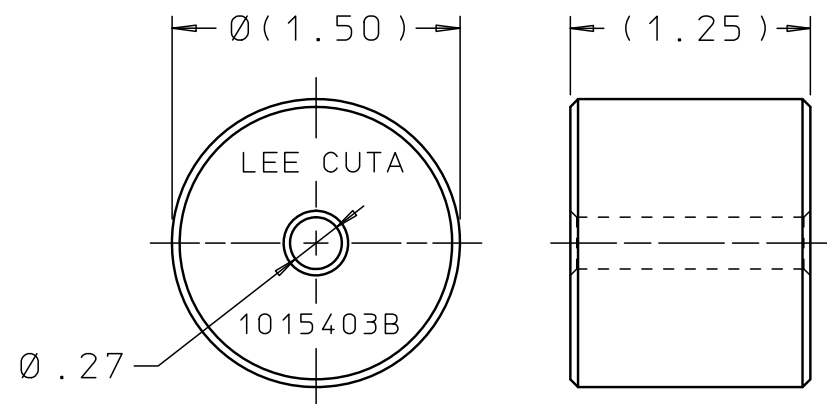
BOTTOMING TAP  
PLUG EXTRACTION  
CUTM4555403B



STARTER TAP  
PLUG EXTRACTION  
CUTM4075403B



BOTTOMING TAP  
PIN EXTRACTION  
CUTM4575403B



STRIKER

## PROPRIETARY ITEM

This document contains proprietary information and is submitted upon the express condition that the information contained herein will not be used directly or indirectly in any way detrimental to the interests of The Lee Company, and/or in violation of regulation DAR 7-104.9(a)(1 July 1974), et seq.

CUTD0200140

REFERENCE

DWG NO: CUTM0450103B

NOTES AND DIMENSIONS SHOWN HERE ON ARE FOR INSPECTION IDENTIFICATION ONLY. ALL MANUFACTURING RIGHTS RESERVED.

EXTERNAL CORNER RAD:  
INTERNAL FILLET RAD:

SURFACE FINISH ✓ ALL OVER  
DIMENSIONS ARE IN INCHES

TOLERANCES  
2 PLACES ±.015 3 PLACES ±.005 ANGLES ±5°

DRAWN BY: T D 12-16-80

CHK'D BY: RJG 01-27-81

APP'D BY: SEA 01-30-81

MAT:

H.T.:

FINISH:

LEE EXTRACTION SET,  
METRIC, LEEPLUG, 4.5MM



THE LEE COMPANY  
WESTBROOK, CT 06498

SIZE	CAGE CODE	DWG NO.	REV
B	92555	CUTM0450103B	B

DWG SCALE: NONE

SHEET 1 OF 1