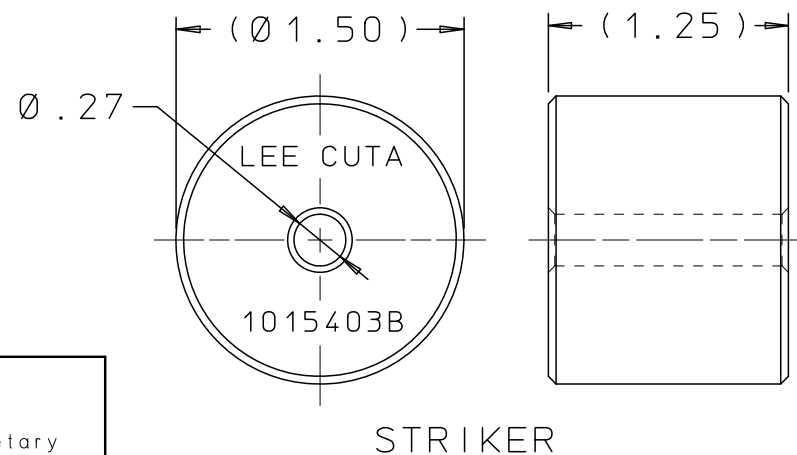
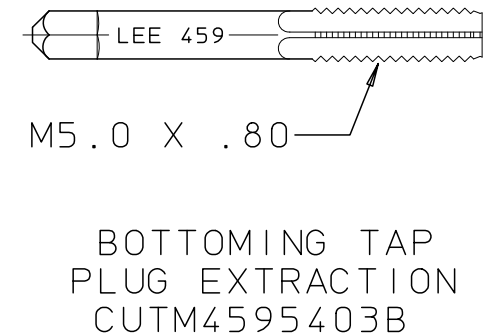
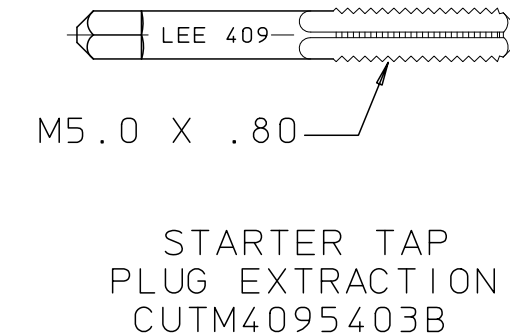
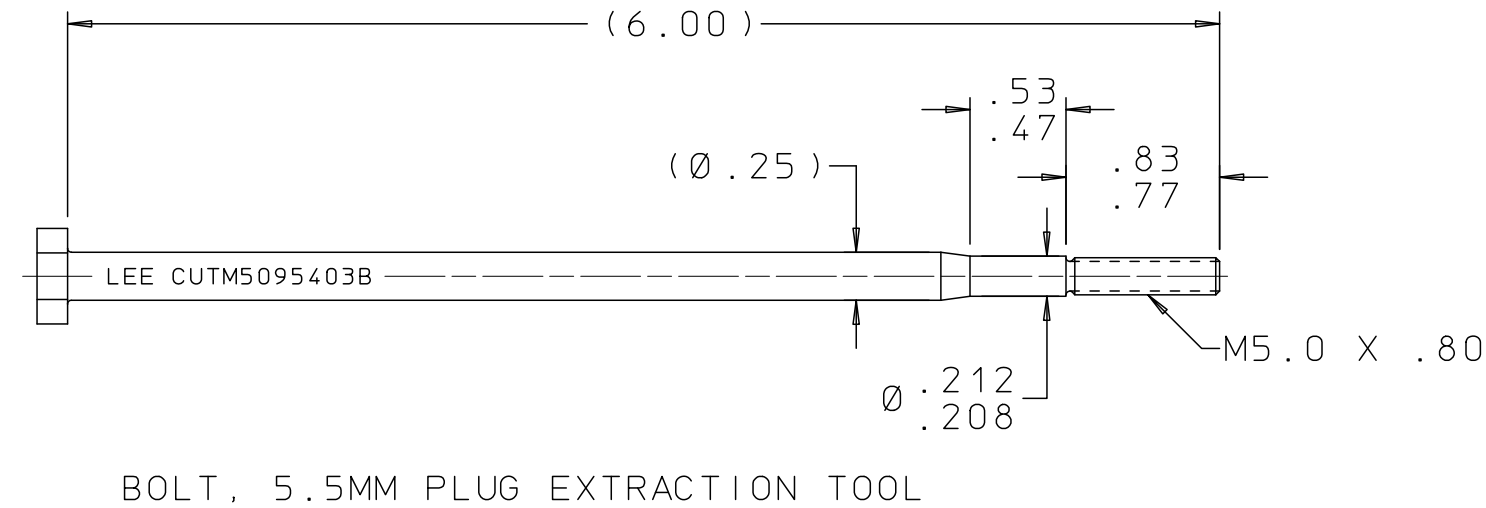
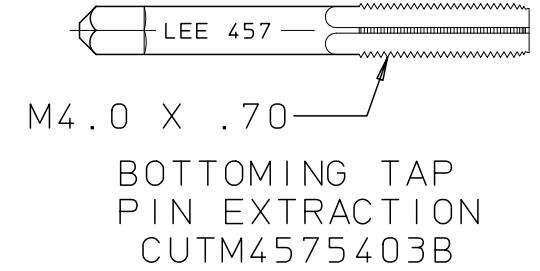
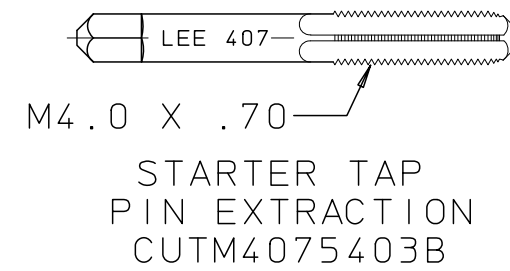
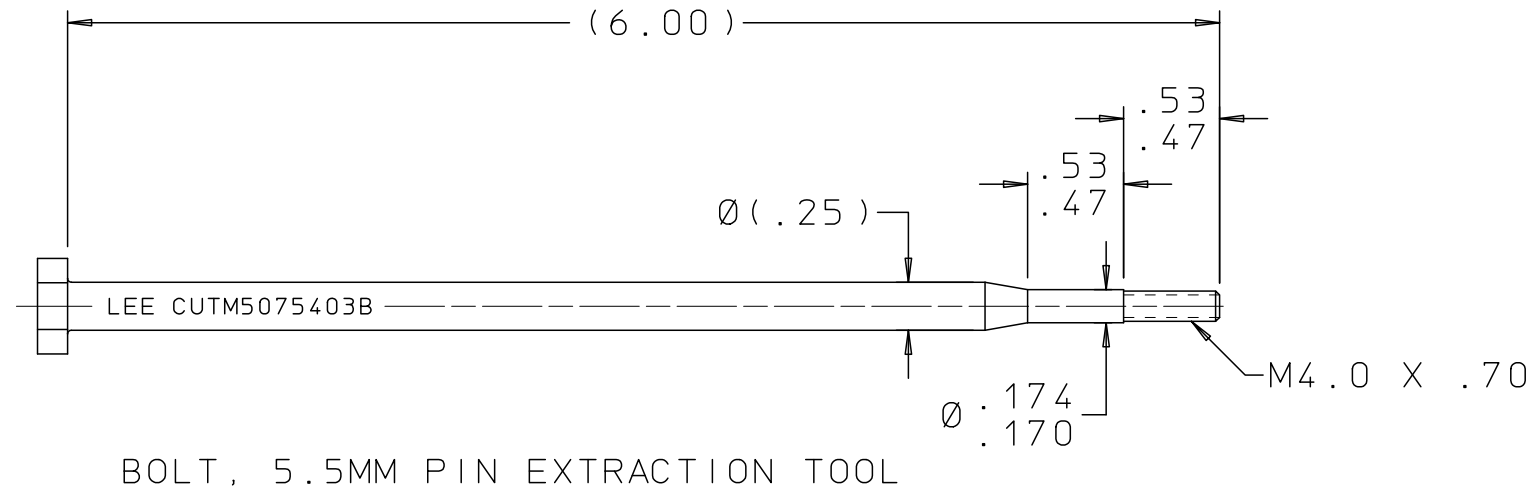


CUTM0550103B

REV	DATE	BY	DESCRIPTION
A	12-16-80	TD	INITIAL RELEASE
2	02-14-08	MC	REDRAWN TO CAD.
B	10-25-13	KD	5.5MM PIN EXTR TOOL: REMOVED HEX, ADDED 2 FLATS, Ø.174-.170 & .53-.47. .53-.47 WAS (.50). 5.5 MM PLUG EXTR TOOL: REMOVED HEX, ADDED 2 FLATS, Ø.212-.208, & .53-.47. .83-.77 WAS (.80). STRIKER: Ø.27 WAS Ø(.27).



PROPRIETARY ITEM

This document contains proprietary information and is submitted upon the express condition that the information contained herein will not be used directly or indirectly in any way detrimental to the interests of The Lee Company, and/or in violation of regulation DAR 7-104.9(a)(1 July 1974), et seq.

CUTD0200160

REFERENCE

DWG NO:
CUTM0550103B

NOTES AND DIMENSIONS SHOWN HERE ON ARE FOR INSPECTION IDENTIFICATION ONLY. ALL MANUFACTURING RIGHTS RESERVED.

EXTERNAL CORNER RAD:
INTERNAL FILLET RAD:

SURFACE FINISH ✓ ALL OVER
DIMENSIONS ARE IN INCHES

TOLERANCES
2 PLACES ±.015 3 PLACES ±.005 ANGLES ±5°

DRAWN BY: T D 12-16-80

CHK'D BY: RJG 01-27-81

APP'D BY: SEA 01-30-81

MAT:

H.T.:

FINISH:

LEE TOOL SET, 5.5 MM
PIN & PLUG EXTRACTION



THE LEE COMPANY
WESTBROOK, CT 06498

SIZE	CAGE CODE	DWG NO.	REV
B	92555	CUTM0550103B	B

DWG SCALE: NONE

SHEET 1 OF 1