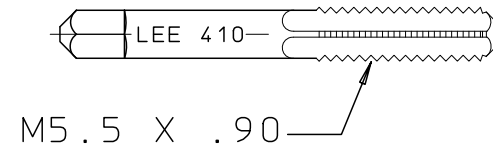
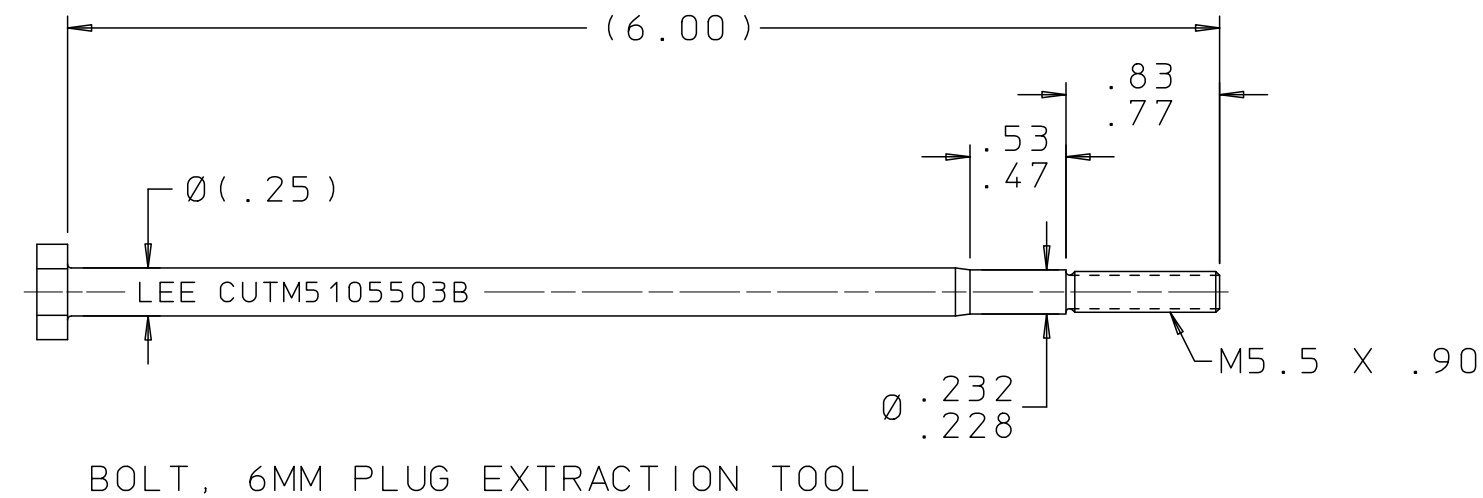
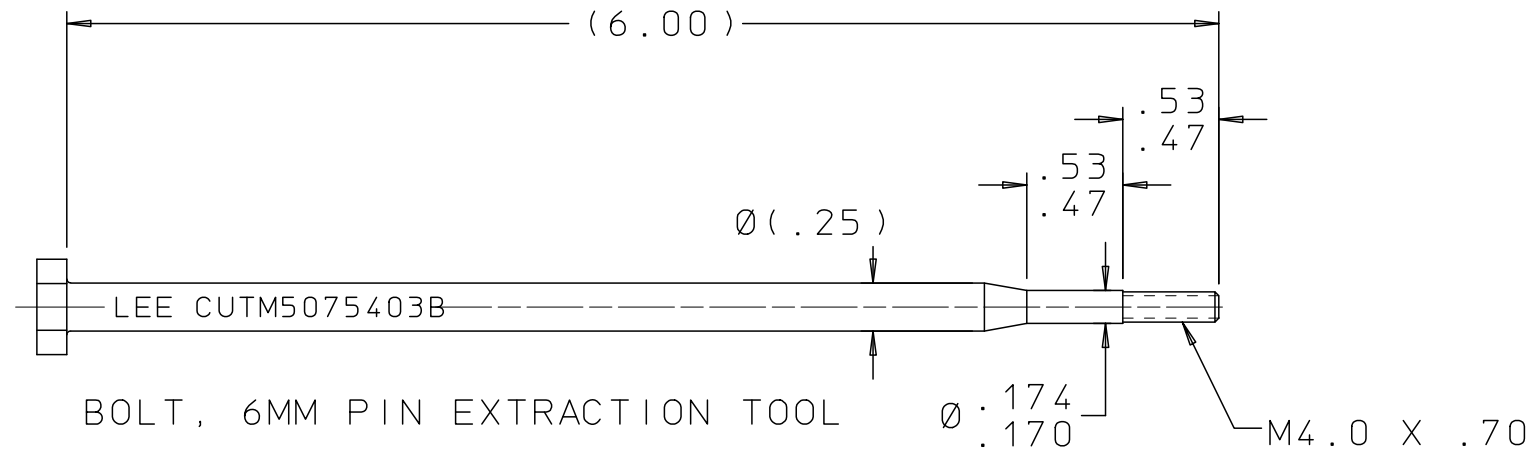
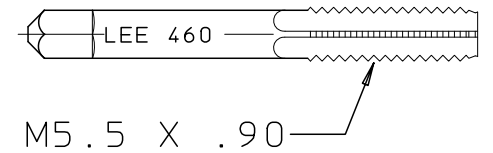


# CUTM0600103B

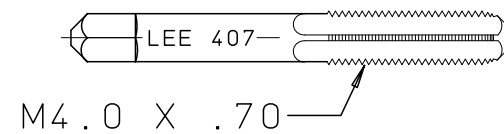
REV	DATE	BY	DESCRIPTION
A2	02-14-08	MC	REDRAWN TO CAD.
B	04-30-13	KD	PIN EXTRAC TOOL : REMOVED HEX, ADDED 2 FLATS. ADDED .53- .47 & Ø.174-.170. .53-.47 WAS (.50). PLUG EXTRAC TOOL: REMOVED HEX, ADDED 2 FLATS. ADDED .53- .47 & Ø.232-.228. .83-.77 WAS (.80). STRIKER: Ø.27 WAS Ø(.27).



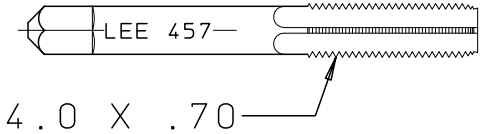
STARTER TAP  
PLUG EXTRACTION  
CUTM4105503B



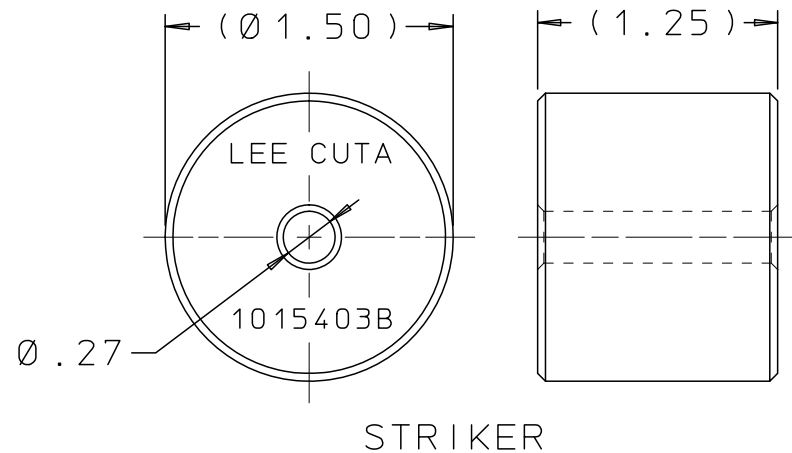
BOTTOMING TAP  
PLUG EXTRACTION  
CUTM4605503B



STARTER TAP  
PIN EXTRACTION  
CUTM4075403B



BOTTOMING TAP  
PIN EXTRACTION  
CUTM4575403B



## PROPRIETARY ITEM

This document contains proprietary information and is submitted upon the express condition that the information contained herein will not be used directly or indirectly in any way detrimental to the interests of The Lee Company, and/or in violation of regulation DAR 7-104.9(a)(1 July 1974). et seq.

CUTD0200170

REFERENCE

DWG NO: CUTM0600103B

NOTES AND DIMENSIONS SHOWN HERE ON ARE FOR INSPECTION IDENTIFICATION ONLY. ALL MANUFACTURING RIGHTS RESERVED.

EXTERNAL CORNER RAD:  
INTERNAL FILLET RAD:

SURFACE FINISH ✓ ALL OVER  
DIMENSIONS ARE IN INCHES

TOLERANCES  
2 PLACES ±.015 3 PLACES ±.005 ANGLES ±5°

DRAWN BY: T D 12-16-80

CHK'D BY: RJG 01-27-81

APPD BY: SEA 01-30-81

MAT:

H.T.:

FINISH:

LEE TOOL SET,  
METRIC PLUG EXTRACTION



THE LEE COMPANY  
WESTBROOK, CT 06498

SIZE	CAGE CODE	DWG NO.	REV
B	92555	CUTM0600103B	B

DWG SCALE: NONE

SHEET 1 OF 1