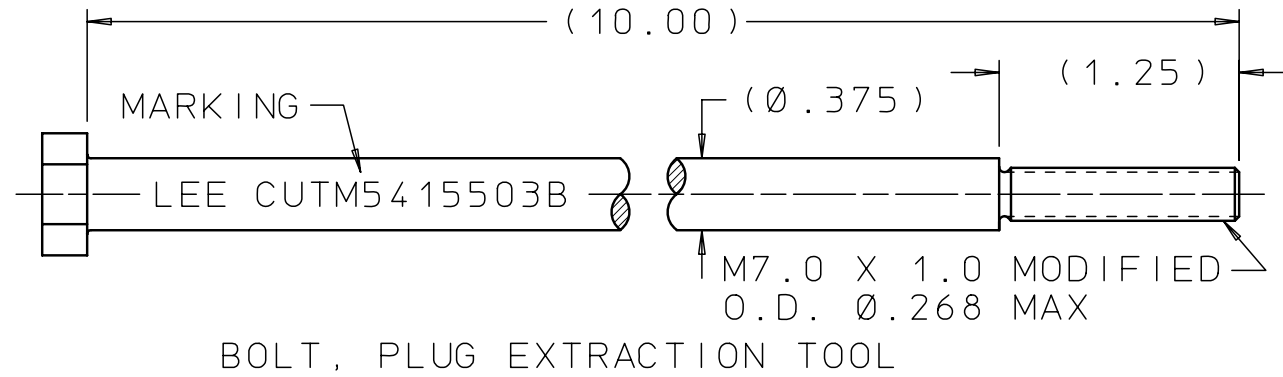
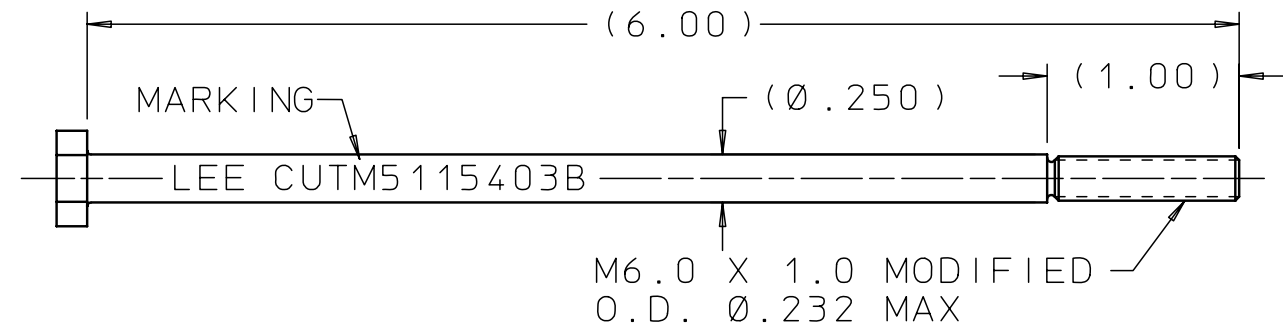


# CUTM0750103B

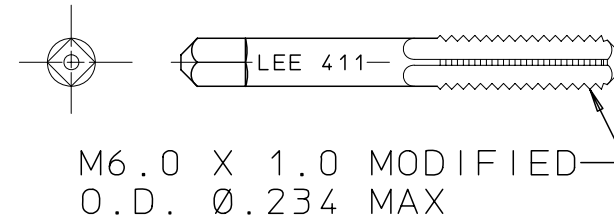
REV	DATE	BY	DESCRIPTION
A2	02-14-08	MC	REDRAWN TO CAD.
B	01-25-11	MC	UPDATE HEAD CONFIG. FOR BOLTS, WAS HEX. ADD O.D. MODIFIED... TO PLUG EXTR. TAPS.



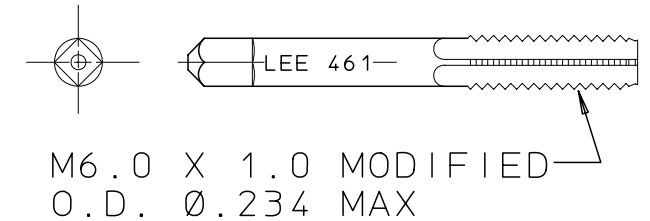
BOLT, PLUG EXTRACTION TOOL



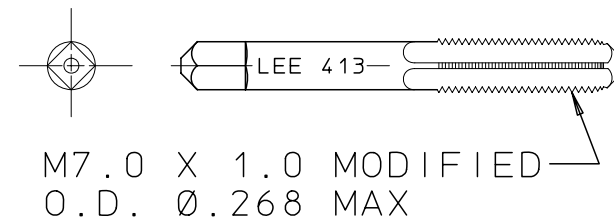
BOLT, PIN EXTRACTION TOOL



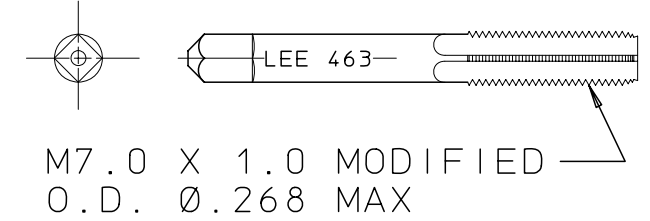
STARTER TAP  
PIN EXTRACTION  
CUTM4115403B



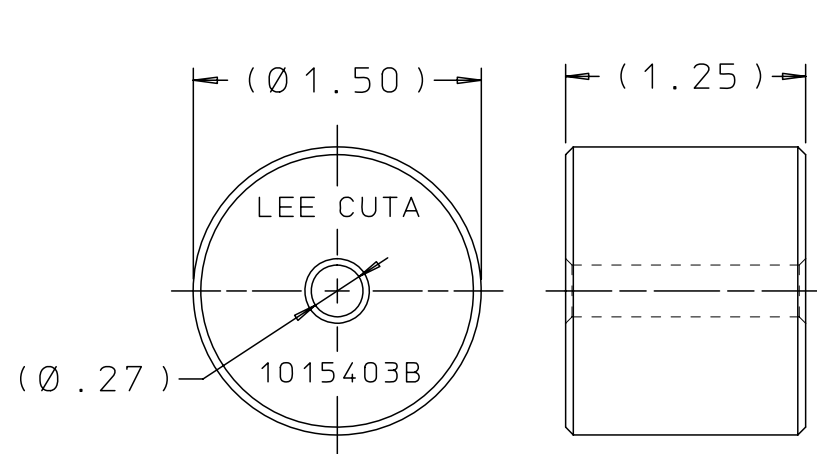
BOTTOMING TAP  
PIN EXTRACTION  
CUTM4615403B



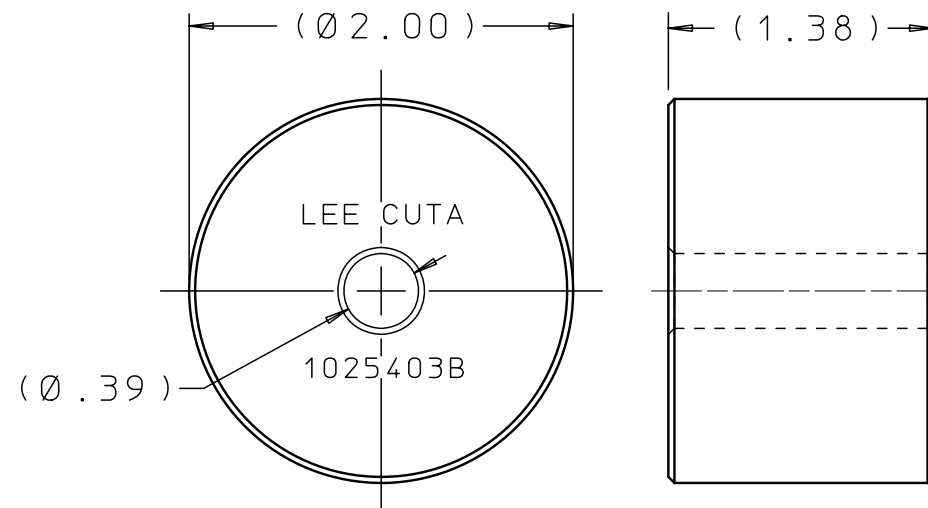
STARTER TAP  
PLUG EXTRACTION  
CUTM4135503B



BOTTOMING TAP  
PLUG EXTRACTION  
CUTM4635503B



STRIKER



STRIKER

## PROPRIETARY ITEM

This document contains proprietary information and is submitted upon the express condition that the information contained herein will not be used directly or indirectly in any way detrimental to the interests of The Lee Company, and/or in violation of regulation DAR 7-104.9(a)(1 July 1974), et seq.

CUTD0200200

REFERENCE

DWG NO: CUTM0750103B

NOTES AND DIMENSIONS SHOWN HERE ON ARE FOR INSPECTION IDENTIFICATION ONLY. ALL MANUFACTURING RIGHTS RESERVED.

EXTERNAL CORNER RAD:  
INTERNAL FILLET RAD:

SURFACE FINISH ✓ ALL OVER  
DIMENSIONS ARE IN INCHES

TOLERANCES  
2 PLACES ±.015 3 PLACES ±.005 ANGLES ±5°

DRAWN BY: T D 12-16-80

CHK'D BY: RJG 01-27-81

APPD BY: SEA 01-30-81

MAT:

H.T.:

FINISH:

LEE TOOL SET, METRIC PLUG EXTRACTION



THE LEE COMPANY  
WESTBROOK, CT 06498

SIZE	CAGE CODE	DWG NO.	REV
B	92555	CUTM0750103B	B

DWG SCALE: NONE

SHEET 1 OF 1