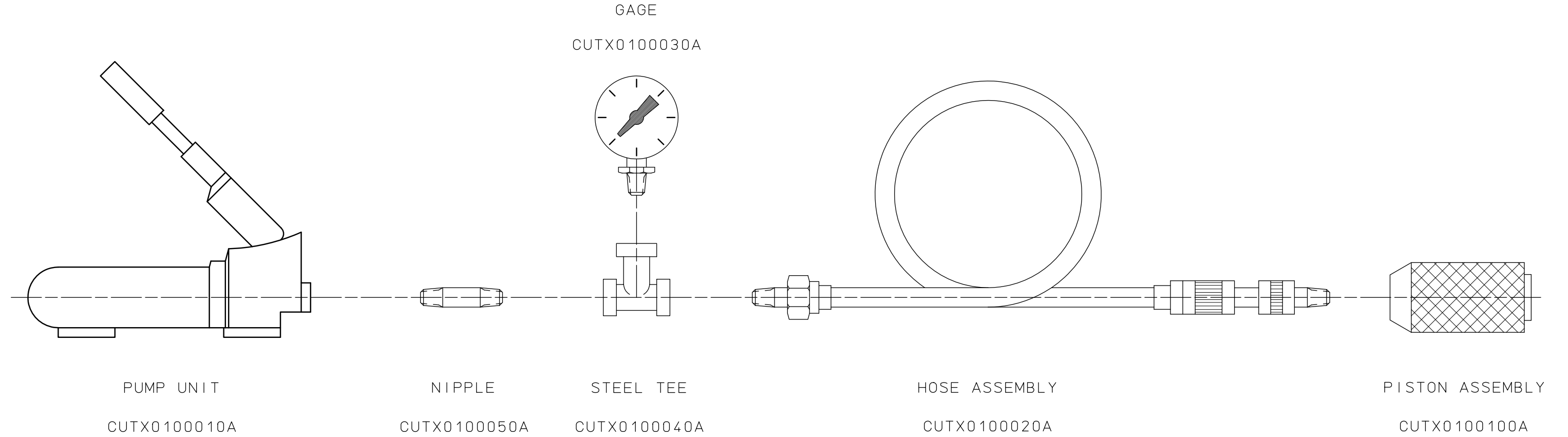


CUTX0100000B

REV	DATE	BY	DESCRIPTION
A	02-26-74	RJC	INITIAL RELEASE
B	04-01-81	LJ	REDREW GAGE & ADDED PART NUMBERS.
2	10-09-08	KD	UPDATED TO CAD.
3	03-26-09	KD	GAGE CUTX0100030A WAS CUTX01000040A.



<p>PROPRIETARY ITEM</p> <p><small>This document contains proprietary information and is submitted upon the express condition that the information contained herein will not be used directly or indirectly in any way detrimental to the interests of The Lee Company, and/or in violation of regulation DAR 7-104.9(a)(1 July 1974). et seq.</small></p>	<u>CUSTOMER APPROVAL</u>		<p>FMF :</p> <p>THE LEE COMPANY WESTBROOK, CT</p>	<p>DWG NO: CUTX0100000B</p>	NOTES AND DIMENSIONS SHOWN HERE ON ARE FOR INSPECTION IDENTIFICATION ONLY. ALL MANUFACTURING RIGHTS RESERVED.		DRAWN BY: RJC 02-26-74	LEE R.F.O. HYDRAULIC INSTALLATION TOOL ASSEMBLY		
	NAME _____ (PLEASE PRINT)				CHK'D BY: RJG	THE LEE COMPANY WESTBROOK, CT 06498				
	TITLE _____				APP'D BY: G L 02-28-74			SIZE CAGE CODE DWG NO. REV B 92555 CUTX0100000B B		
	SIGNATURE _____				MAT: _____	H.T.: _____				
DATE _____		H.T.: _____	FINISH: _____		DWG SCALE: NONE SHEET 1 OF 1					
		CUTD0100000								
		REFERENCE								