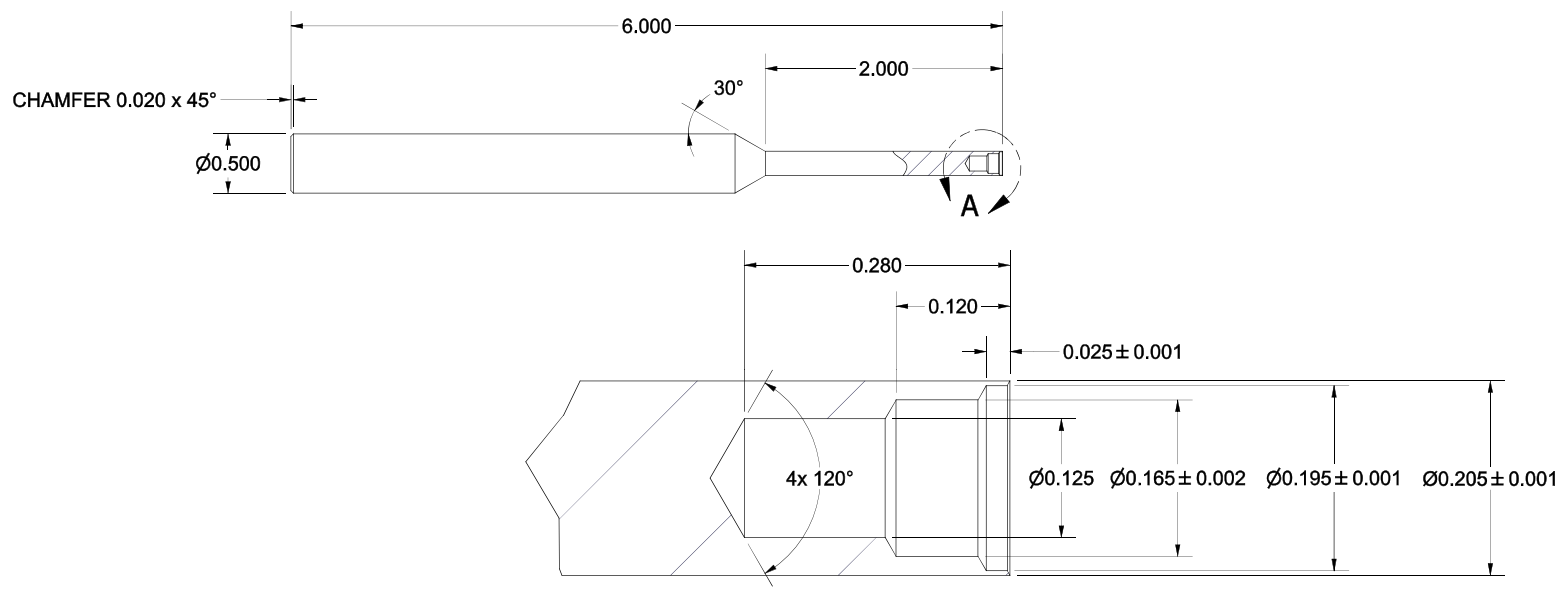



Revision Info.	
Rev	Change Description
B1	MINOR REVISION ~ Added note 2



DETAIL A
SCALE 8 : 1

- NOTES:
 1. MARK WITH PART NUMBER AND REVISION LETTER.
 2. NO VENDOR MARKS ALLOWED.

THIRD ANGLE PROJECTION	UNLESS OTHERWISE SPECIFIED EXTERNAL RADIUS R INTERNAL FILLET R SURFACE FINISH MAXIMUM	Author Vernon, Jon Engineer D. Courcy Origination Date 4/30/2014 Modification Date 9/26/2018	 The Lee Company Industrial Microhydraulics Group Technical Center Westbrook, CT 06498 / U.S.A.	
CODE IDENT NO. NUMBER OS730	CRITICAL CHARACTERISTICS	MATL. A2 Tool Steel H.T. Rc 60-62		
Sheet Size B	PROPRIETARY NOTICE <small>This document contains confidential, trade secret information which is proprietary to The Lee Company, and is intended only for the specific conditions for which it was prepared. It will be used directly or indirectly in any way detrimental to the interests of The Lee Company, such as disclosure to others or replication of our products, and is in violation of 18 U.S.C. 1905 (TRA), 18 U.S.C. 1035 (FOIA), E.O. 12860 of 6/23/87, 18 U.S.C. 1832, and C.O.S.A. (CT) Chapter 665 sec. 35-36 from 35-58.</small>	FINISH	TITLE: INSTALLATION TOOL, 558 LC SERIES, PRESS IN, REVERSE	
		DIMENSIONS ARE IN INCHES TOLERANCES 2PL ±.01 3PL ±.003 4PL ±.0010 ANG ±2°	DO NOT SCALE DRAWING	-FMF / Used On- -Lee 558 LC Series
				PART # CCRT0072391S REV. State Released SHEET 1 of 1 SCALE: 1:1